

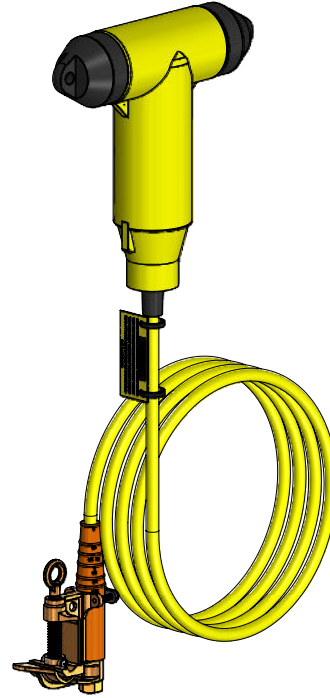
15/25/28kV Deadbreak Grounding Elbow

Product Data Sheet

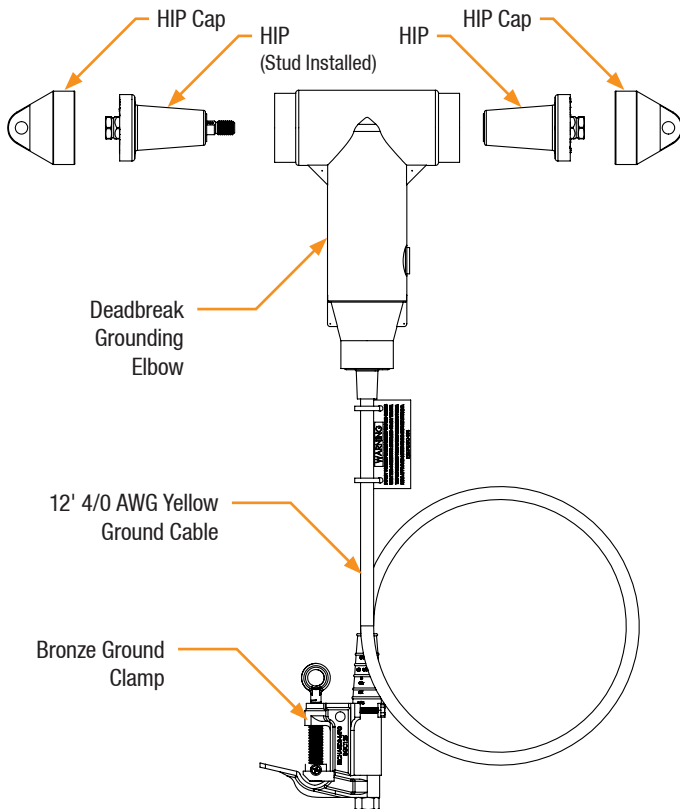
The Deadbreak Grounding Elbow provides a convenient method for applying grounds to Medium Voltage equipment and cables. The assembly consists of a Deadbreak Elbow molded from yellow rubber for easy identification as a grounding accessory. The Deadbreak Elbow accepts any accessory with IEEE interface 11. The Deadbreak Grounding Elbow includes a 12' 4/0 AWG copper ground cable (yellow) with a bronze ground clamp installed on the end.

Features

- 12 ft. 4/0 copper cable
- Molded with yellow rubber to provide clear indication that Elbow is for grounding purposes



Basic Details



Basic Dimensions

Installed on Bushing

10 1/2"

Both Shipping Caps Installed

12 1/2"