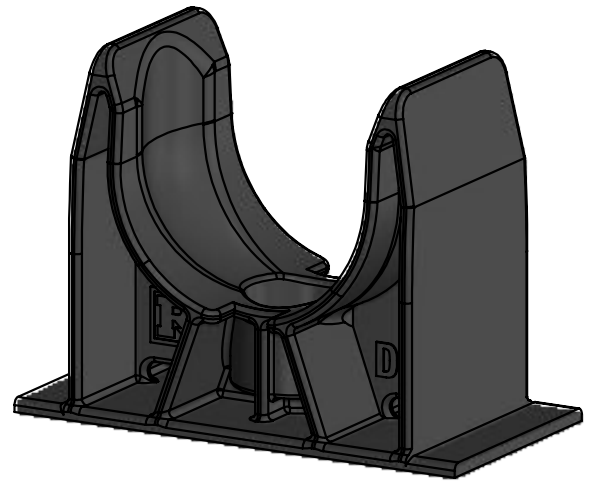
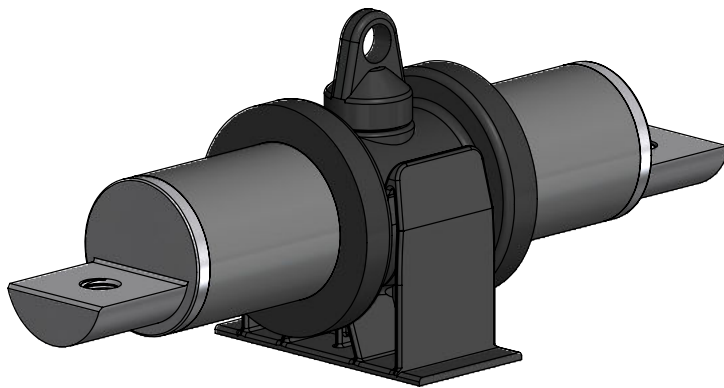


Joint Rack Arm Saddle

Product Data Sheet

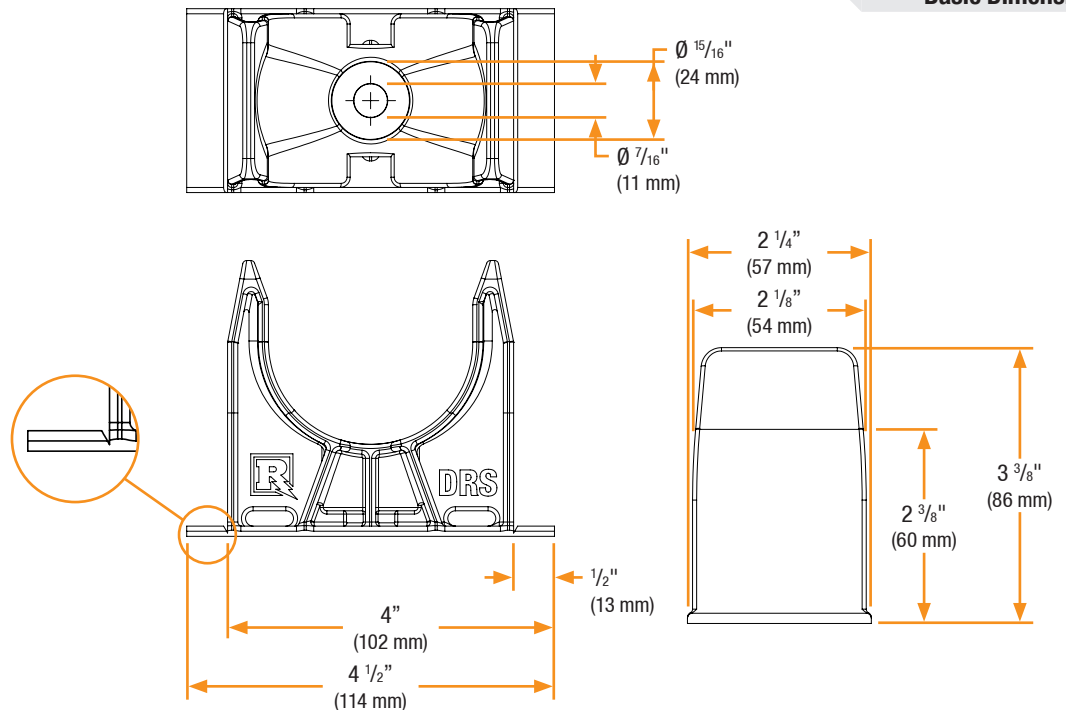
The Joint Rack Arm Saddle (DRS) is designed to ensure a snug and secure fit around disconnectable joints, allowing for improved workability while installing, as well as orderly racking or final assembly. The DRS can be secured to a rack arm by either a cable tie or nut/bolt and ensures the disconnectable interface is not awkwardly resting on the rack arm. Tabs on both sides of the DRS serve as spacers, ensuring disconnectable joints do not interfere when positioned next to each other.



Features

- Promotes orderly and proper racking of disconnectable joints
- Lightweight polymer material
- Compatible with all Richards disconnectable joints (I, Y, H, U, E, L)
- Side tabs designed to break-away if not needed
- 3 hardware kits accommodate a variety of rack arm styles:
 - DRS0: saddle, 2 zip ties
 - DRS1: saddle, 3/8"-16 Hardware, Strut Channel Nut with Spring
 - DRS2: saddle, 3/8"-16 Hardware, Hex Nut

Basic Dimensions



Tabs on both sides control spacing between saddled components. Designed to break easily at the "V" notch on both ends if necessary.