


Current Limiting Network Protector Fuses

Product Data Sheet

The 550 Series Fuses are special purpose fuses intended for down stream short circuit protection of distribution networks. The 550 Series silver sand fuses are designed to have very low watt loss characteristics and replace OEM current limiting network protector fuses.

Features

- Conforms to existing mounting configuration - bolt in style
- Unique dimensions prevent replacement by other fuse classes
-  **SP**[®]_{US}
- Low watt loss
- Designed to be used in conjunction with Network Protectors



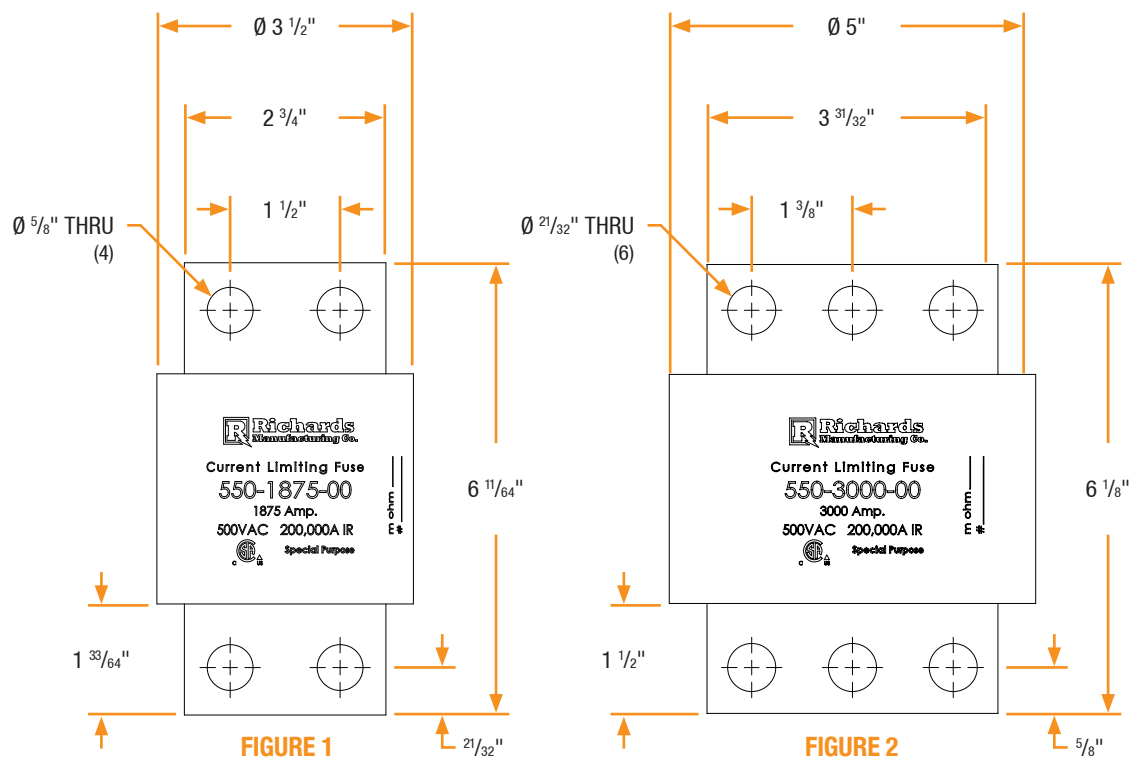
Part Numbers

Part Number	Figure	NP Rating
550-0800-00	1	800
550-1200-00	1	1200
550-1875-00	1	1875
550-2825-00	2	2825
550-3000-00	2	3000

Ratings

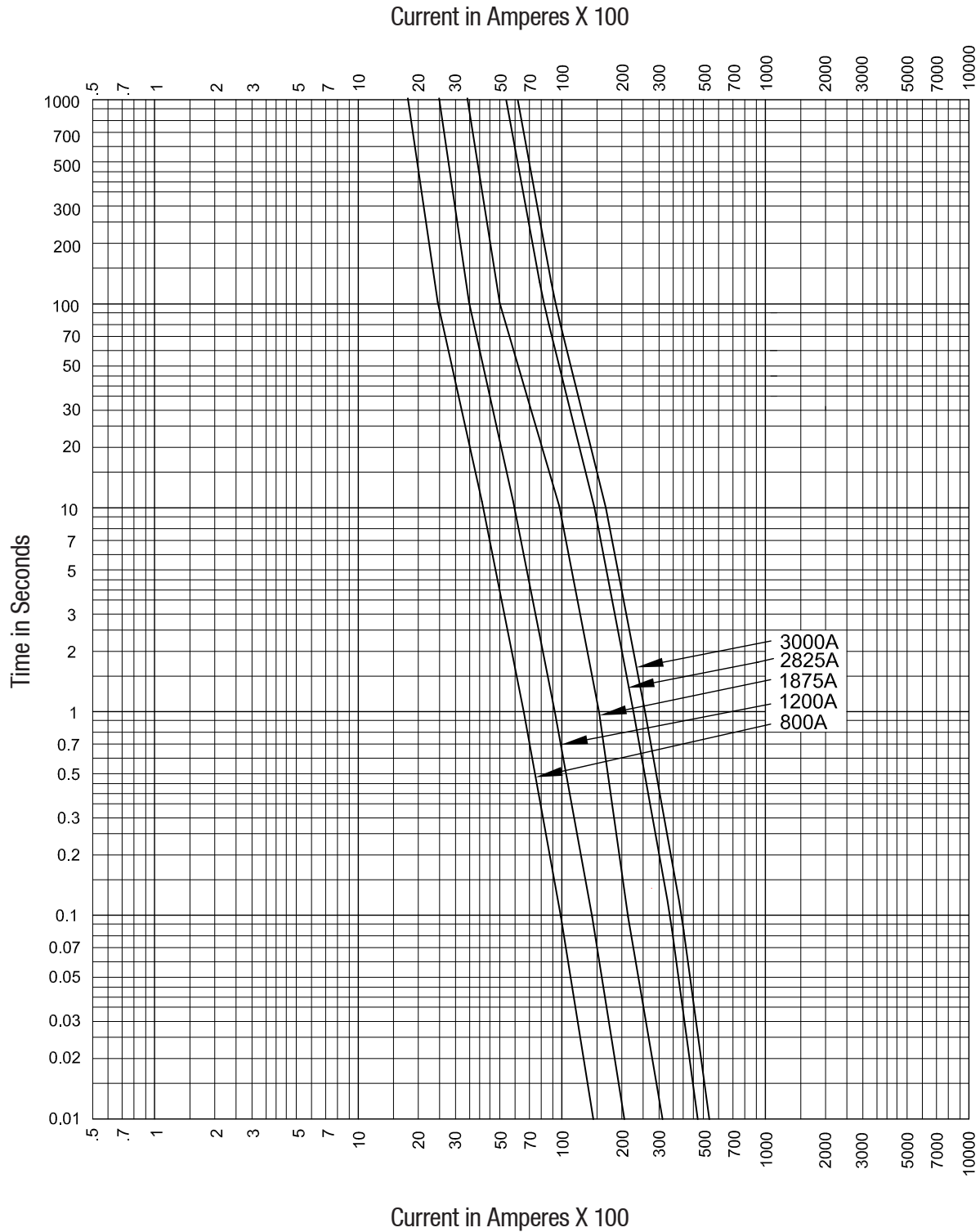
Product Ratings	
Voltage	500 volts AC
Interrupt Rating	200kA IR AC
Ampere Rating	800-3000 Amps

Basic Dimensions



Current Limiting Network Protector Fuses

Minimum Melting Time-Current Data – 800 - 3000 AMP. 480 Volts



Current Limiting Network Protector Fuses

Peak Let-Thru Current Data – 800 - 3000 AMP. 480 Volts

