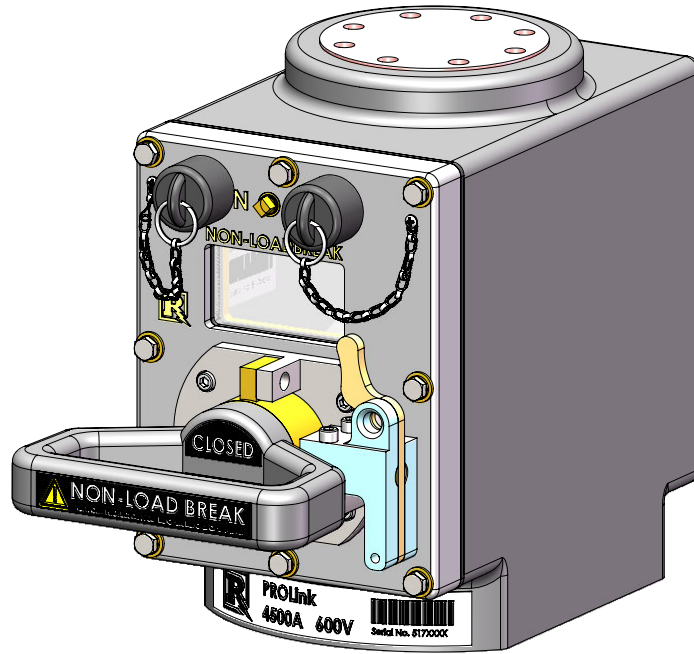


PROLink

Product Data Sheet

The Richards PROLink is designed to isolate the network protector from the secondary network, reducing potential arc-flash hazard. The PROLink features a handle-operated rugged contact assembly molded within a fully submersible fiberglass enclosure. The device is designed and qualified for use on all 125/216, 277/480 and 347/600V network protectors up to 4500A.

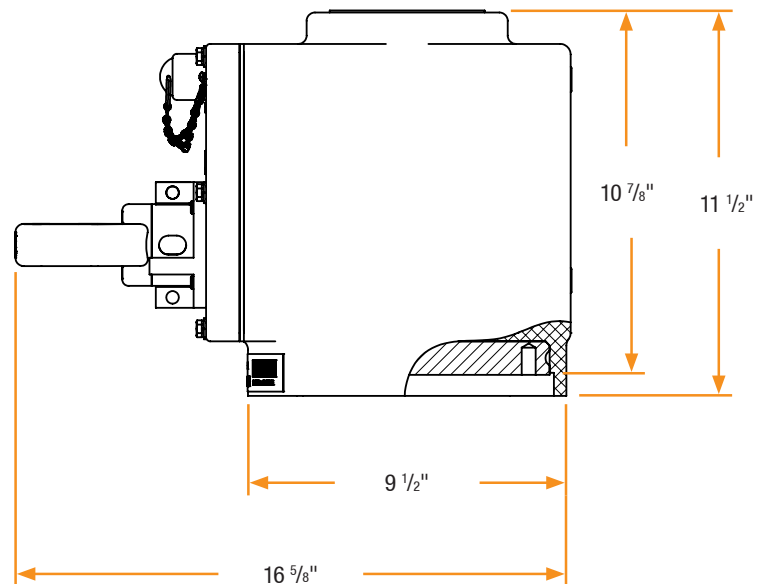
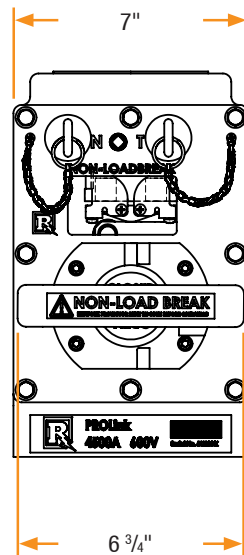
For installation and ordering information please see PROLink User Guide.



Features

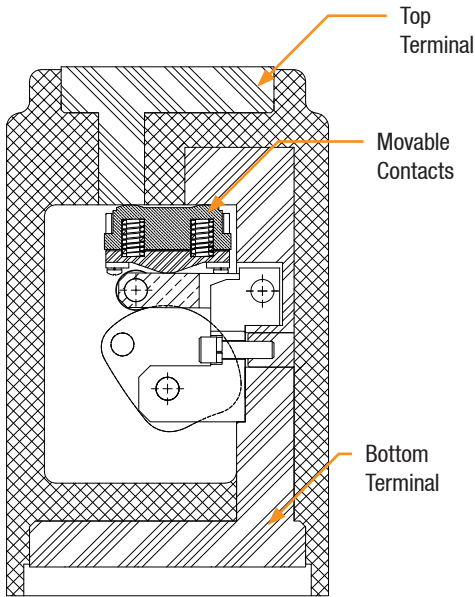
- Submersible to 25 ft.
- Visible break
- Pad lockable
- Available with standard latching device or kirk key
- Multiple mounting configurations - wall mountable or directly on network protector
- Field retrofittable
- Test ports for phase check and test set power

Basic Dimensions

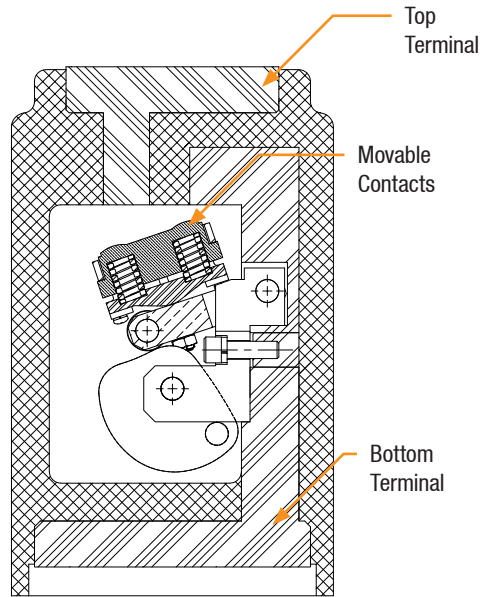


PROLink

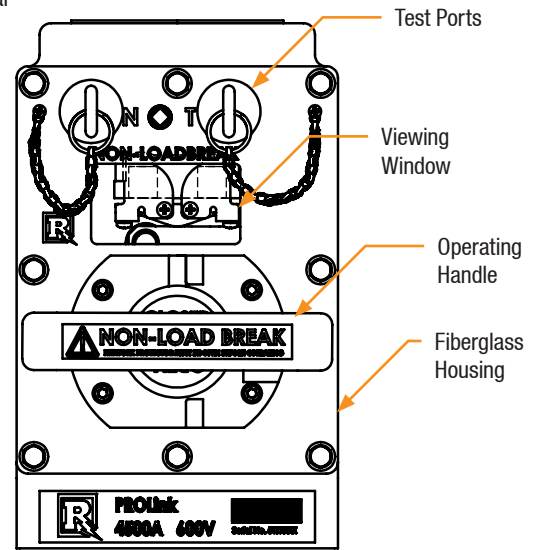
Detail View



CONNECTION ENGAGED



CONNECTION DIS-ENGAGED



FRONT VIEW

Adapters

Compatible with the following adapters:

OFB-ADAPT-1PA

Small 313NP/137NP/GE

OFB-ADAPT-2MG

Large 137NP/GE

OFB-ADAPT-1PT

Small Eaton CM52/CM22

OFB-ADAPT-4MG

Large Eaton CM52/CM22

OFB-ADAPT-2CM

Large 313NP

OFB-ADAPT-2A

Threaded Stud

Product Ratings

Ratings	
Voltage Rating	600V
Current Rating	4500A
Short-Time Current	60kA, 60 cycles (1 sec)
Submersibility (continuous)	25ft

The PROLink is qualified to the following industry standards:

- Tested to short-time current testing of IEEE C57.12.44

Top Terminal Mounting Pattern

