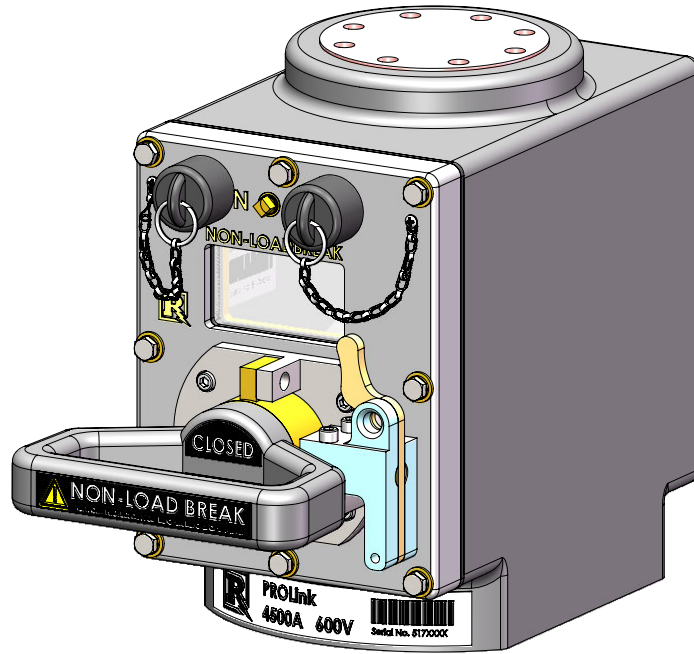


# PROLink

Product Data Sheet

The Richards PROLink is designed to isolate the network protector from the secondary network, reducing potential arc-flash hazard. The PROLink features a handle-operated rugged contact assembly molded within a fully submersible fiberglass enclosure. The device is designed and qualified for use on all 125/216, 277/480 and 347/600V network protectors up to 4500A.

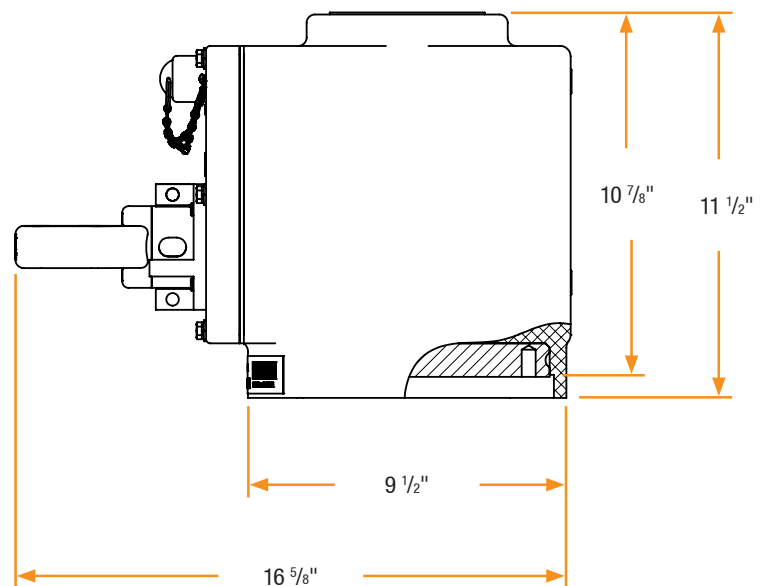
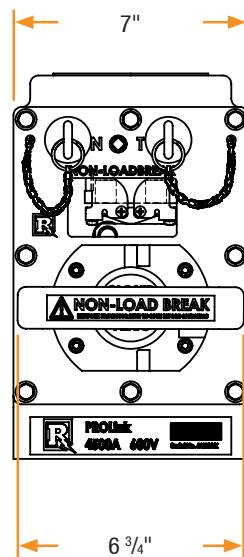
For installation and ordering information please see PROLink User Guide.



## Features

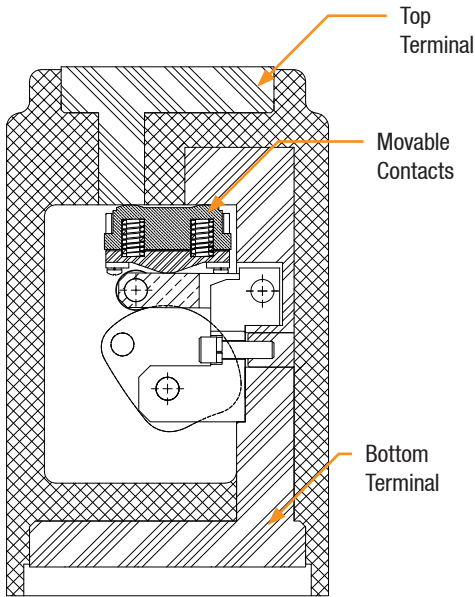
- Submersible to 25 ft.
- Visible break
- Pad lockable
- Available with standard latching device or kirk key
- Multiple mounting configurations - wall mountable or directly on network protector
- Field retrofittable
- Test ports for phase check and test set power

## Basic Dimensions

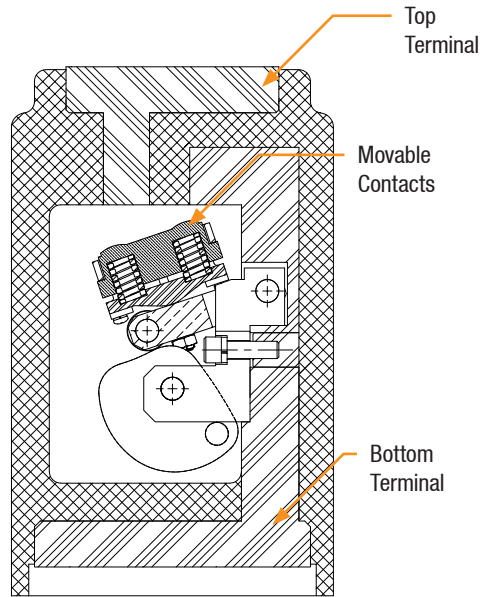


# PROLink

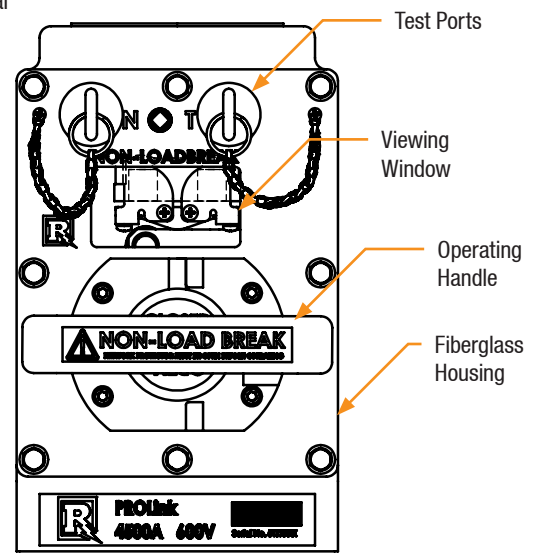
## Detail View



**CONNECTION ENGAGED**



**CONNECTION DIS-ENGAGED**



**FRONT VIEW**

## Adapters

Compatible with the following adapters:

**OFB-ADAPT-1PA**

Small 313NP/137NP/GE

**OFB-ADAPT-2MG**

Large 137NP/GE

**OFB-ADAPT-1PT**

Small Eaton CM52/CM22

**OFB-ADAPT-4MG**

Large Eaton CM52/CM22

**OFB-ADAPT-2CM**

Large 313NP

**OFB-ADAPT-2A**

Threaded Stud

## Product Ratings

Ratings	
Voltage Rating	600V
Current Rating	4500A
Short-Time Current	60kA, 60 cycles (1 sec)
Submersibility (continuous)	25ft

The PROLink is qualified to the following industry standards:

- Tested to short-time current testing of IEEE C57.12.44

## Top Terminal Mounting Pattern

