

15/25/28kV DT Series Insulating Cap

Product Data Sheet

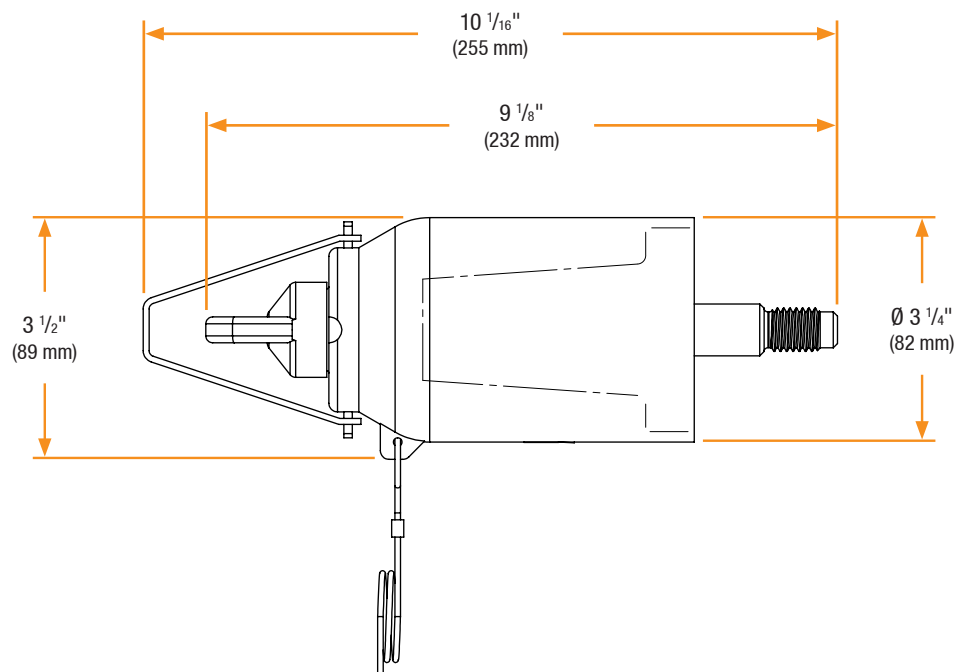
The Richards DT Insulating Cap (DTIC) is an accessory specifically designed to insulate and seal the Richards DT Plug. The DTIC is included with every DT Series Plug. The DTIC features a disconnectable drain wire to facilitate removal of the cap with a hotstick.



Features

- Designed as a system for use with the Richards DT Plug
- Increased operational efficiency for grounding and safety procedures
- Hotstick Operable
- Integral Capacitive Test Point
- Included with each DT Plug

Basic Dimensions



15/25/28kV DT Series Insulating Cap

Installation

15/25/28kV DTIC installation is covered by: **II-25DTP**

Related Products

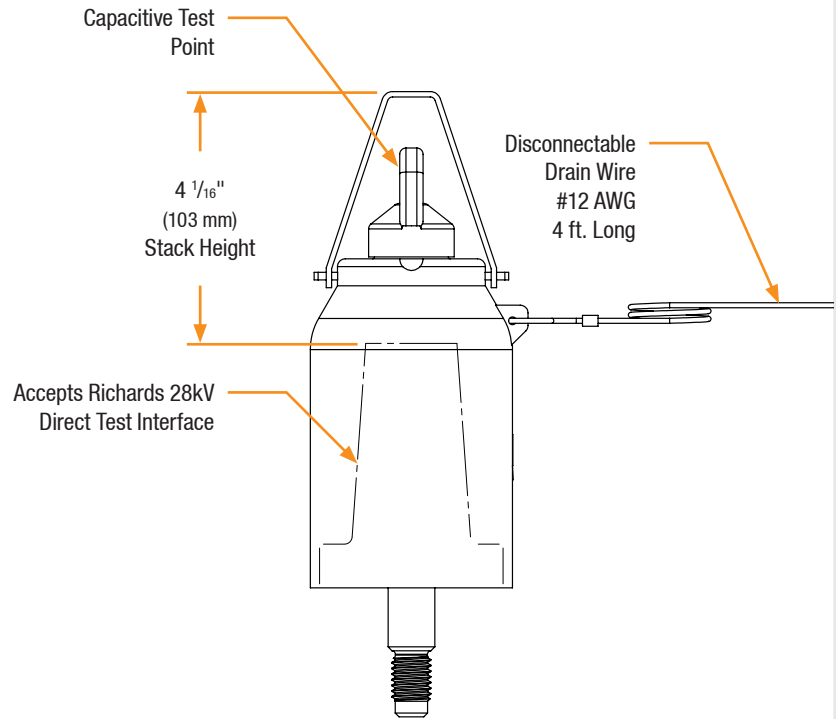
62DTP

DT Series Plug

62DTGC

DT Series Grounding Cap

Detail View



Applications



Outdoor



Vaults



Enclosures



Submersible

Production Testing

IEEE requires a Partial Discharge test and choice between AC withstand and Impulse.

Richards runs 3/3 tests on **all** Medium Voltage products governed by IEEE 386. [®]

100% Routine Electrical Test:

- Partial Discharge
- AC Withstand
- Impulse Withstand

Product Ratings

Voltage Ratings

Maximum Voltage Rating – (phase to ground)	16.2kV
Corona Voltage Level – (partial discharge extinction voltage)	22kV [®]
AC Withstand – (1 minute)	45kV
Impulse-Withstand Voltage – (BIL)	140kV BIL [®]

Short-Time Current Ratings

Aluminum	25kA, 10c. and 10kA, 3s.
----------	--------------------------

The 15/25/28kV DTIC is qualified to the following industry standards:

- IEEE Std 386: For Separable Insulated Connector Systems
- IEEE Std 592: For Exposed Semiconducting Shields

[®] Exceeds IEEE 386 requirement