

# 15/25/28kV DT Series Grounding Cap

Product Data Sheet

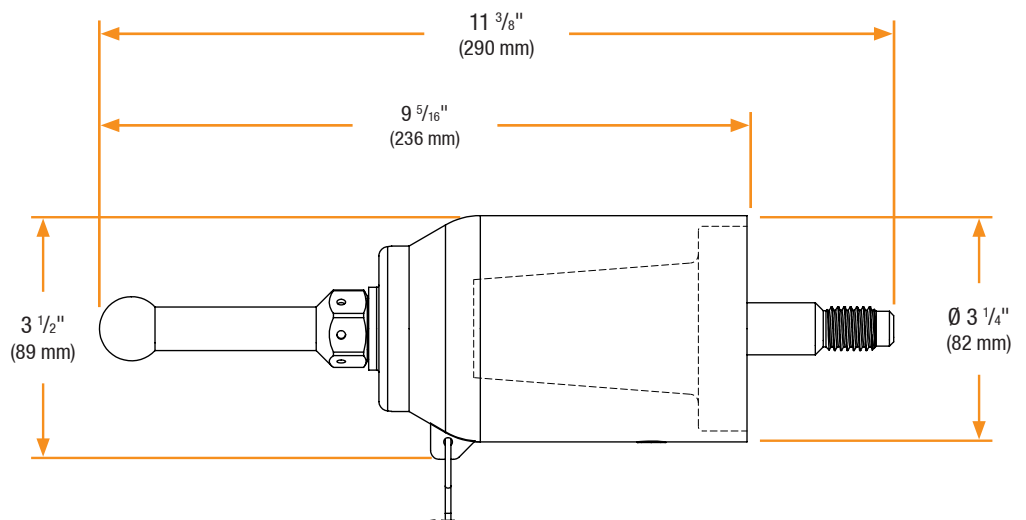
The Richards DT Grounding Cap (DTGC) is a grounding device specifically designed to provide a high fault current ground connection in conjunction with the Richards DT Plug. The cap is also available as a set of three in a durable carrying case.



## Features

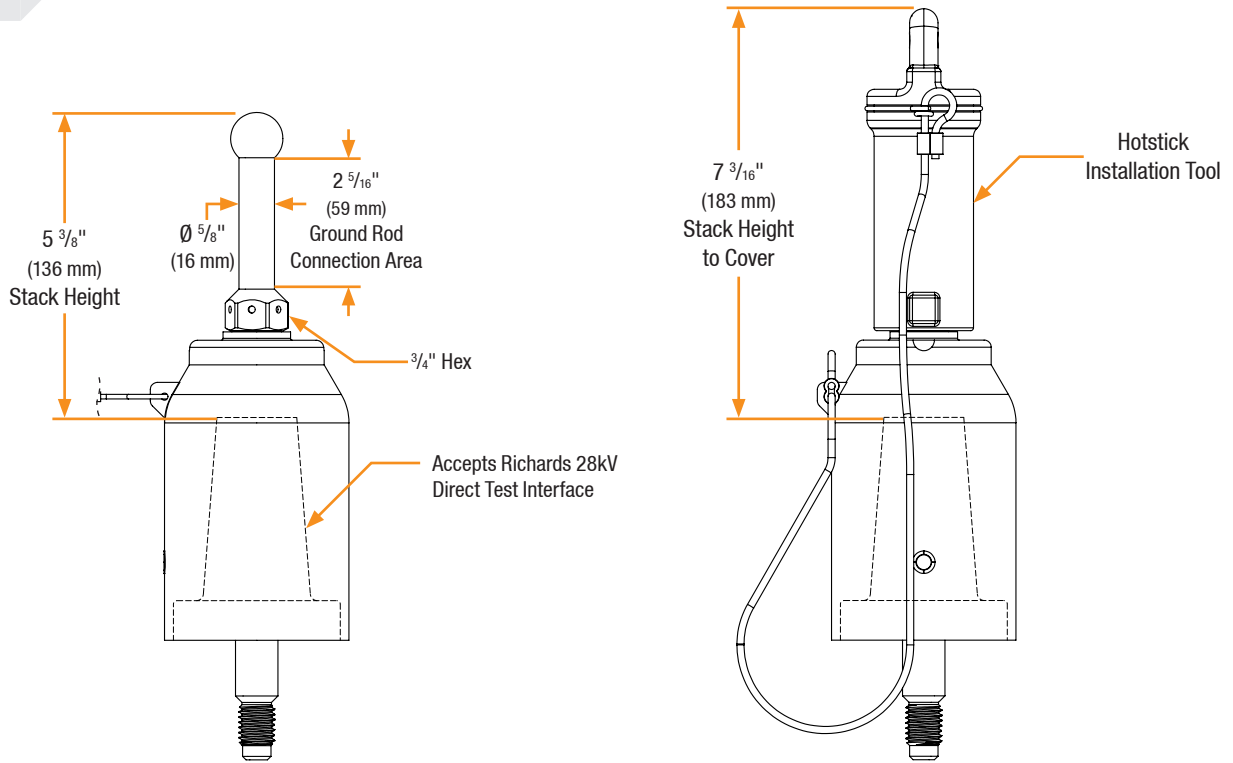
- Designed as a system for use with the Richards DT Plug
- Increased operational efficiency for grounding and safety procedures
- Increased short time current rating from 10kA (with Loadbreak) to 40kA
- Hotstick Operable

## Basic Dimensions



# 15/25/28kV DT Series Grounding Cap

## Detail View



### Applications

- Outdoor
- Vaults
- Enclosures

### Related Products

**62DTP**  
DT Series Plug

**62DTIC**  
DT Series Insulating Cap

### Installation

15/25/28kV DTGC installation is covered by: **II-DTGC**

### Product Ratings

| Short-Time Current Ratings |                          |
|----------------------------|--------------------------|
| Copper                     | 40kA, 10c. and 10kA, 3s. |

The 15/25/28kV DTGC is qualified to the following industry standards:

- IEEE Std 386: For Separable Insulated Connector Systems

Exceeds IEEE 386 requirement