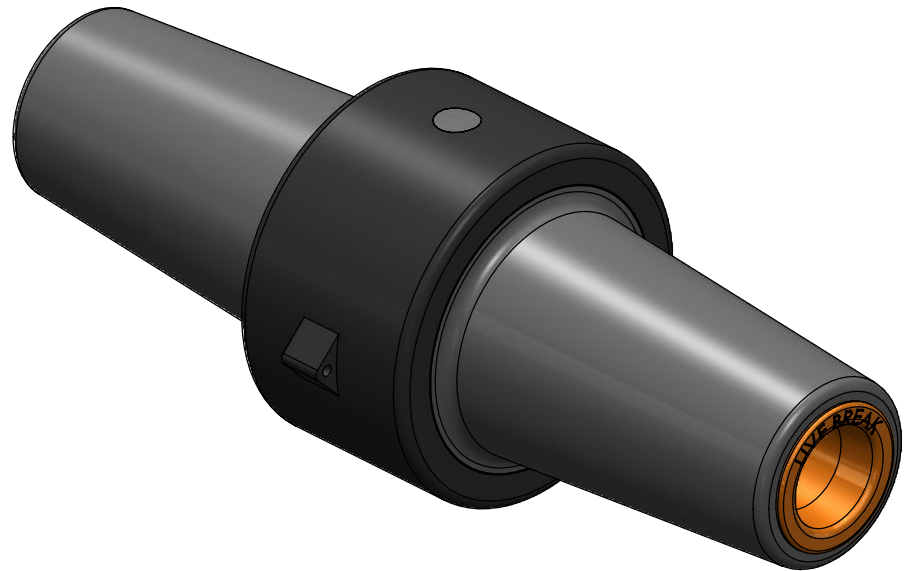


15/25/28kV DT Series Plug

Product Data Sheet

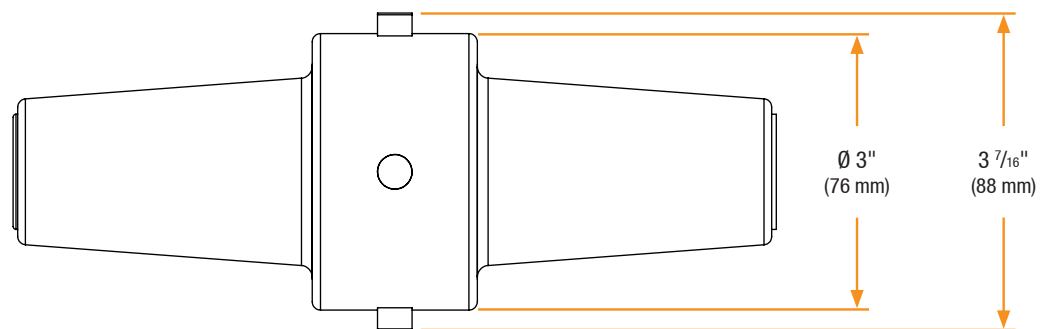
The Richards DT Series Plug is a medium voltage cable accessory designed for testing and grounding operations. The DT system features a bolted contact system rated up to 40kA of fault current. One side of the DT Series Plug features an industry standard IEEE interface 11 for connection to compatible Deadbreak accessories, such as the Richards LC Series 15/25/28kV Deadbreak Elbow. The opposite interface of the DT Series Plug is designed solely for use with the DTIC (insulating cap) and DTGC (grounding cap). These accessories are hot-stick operable and allow for system operators to insulate and subsequently test and apply grounds to perform de-energized work per required safety practices.



Features

- Designed as a system for use with DTIC Insulating Cap or DTGC Grounding Cap
- Increased operational efficiency for grounding and safety procedures
- Increased short time current rating from 10kA (with Loadbreak) to 40kA
- Low profile installation

Basic Dimensions



15/25/28kV DT Series Plug

Installation

15/25/28kV DTP installation is covered by: **II-25DTP**

Related Products

62LCN/62LCT

15/25/28kV Deadbreak Elbow

92LCN/92LCT

15/25/28kV Deadbreak Elbow

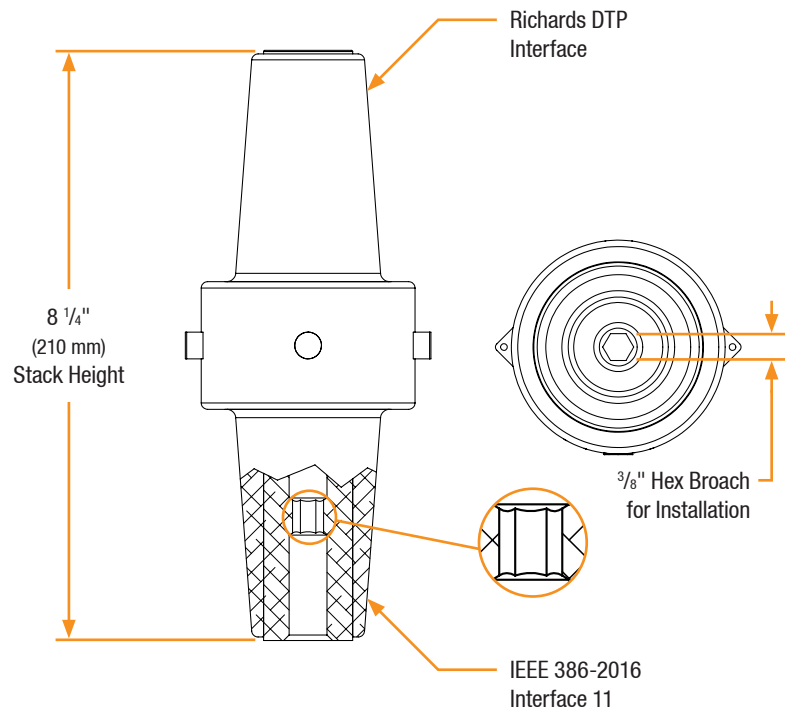
62DTIC

DT Series Insulating Cap

62DTGC

DT Series Grounding Cap

Detail View



Applications



Outdoor



Vaults



Enclosures



Submersible

Production Testing

IEEE requires a Partial Discharge test and choice between AC withstand and Impulse.

Richards runs 3/3 tests on **all** Medium Voltage products governed by IEEE 386. [®]

100% Routine Electrical Test:

- Partial Discharge
- AC Withstand
- Impulse Withstand

Product Ratings

Voltage Ratings

| | |
|---|------------------------|
| Maximum Voltage Rating – (phase to ground) | 16.2kV |
| Corona Voltage Level – (partial discharge extinction voltage) | 22kV [®] |
| AC Withstand – (1 minute) | 45kV |
| Impulse-Withstand Voltage – (BIL) | 140kV BIL [®] |

Short-Time Current Ratings

| | |
|-----------------------------------|---------------------------------------|
| when used with DTGC Grounding Cap | 40kA, 10c. and 10kA, 3s. [®] |
|-----------------------------------|---------------------------------------|

The 15/25/28kV DTP is qualified to the following industry standards:

- IEEE Std 386: For Separable Insulated Connector Systems
- IEEE Std 592: For Exposed Semiconducting Shields

[®] Exceeds IEEE 386 requirement