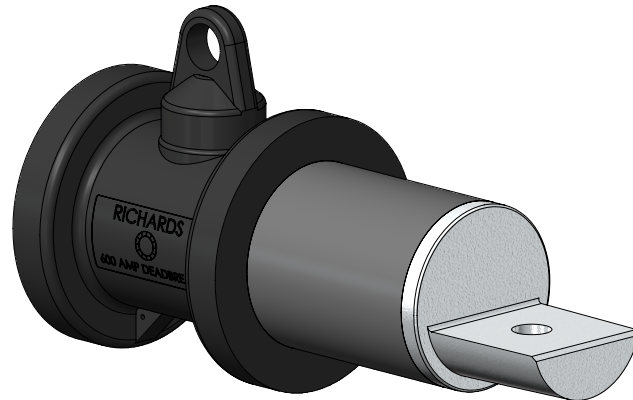


15/25/28kV Joint Insulating Plug

Product Data Sheet

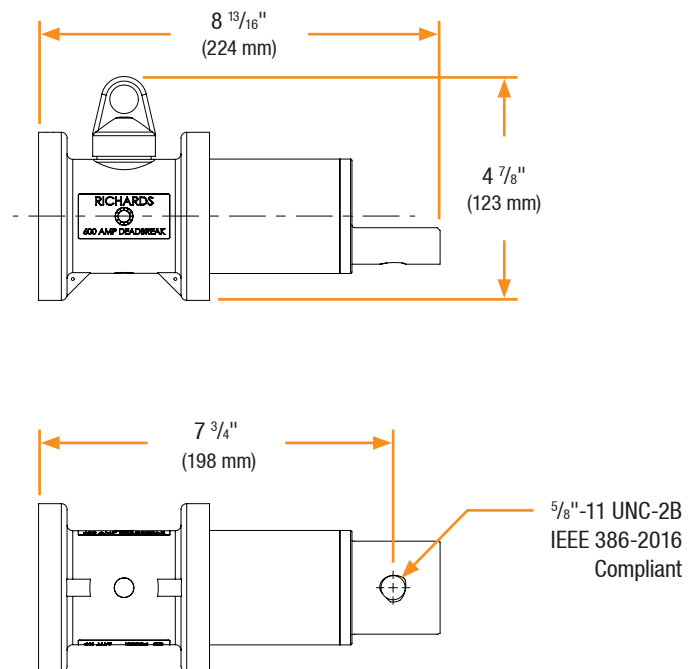
Richards 15/25/28kV Class Joint Insulating Plug (P625JIP) provides an easy and modular way to insulate an end point or disconnected section of a medium voltage circuit. The Plug features a standard Joint Interface and is compatible with standard JS and JSCS Series Cold Shrink Sleeves. The plug is fully shielded, submersible, and features a capacitive test point. The P625JIP can be mated with (bolted connection) both Aluminum and Copper lugs.



Features

- Injection Molded & Peroxide-Cured EPDM Rubber
- Designed, Tested, and Molded in the USA
- Fully-Shielded/Deadfront
- Submersible
- Low-profile, space-saving splicing solution
- Modular design

Basic Dimensions



15/25/28kV Joint Insulating Plug

Related Products

P625JS

15/25/28kV Disconnectable Joint Sleeve

P625JSCS

15/25/28kV JSCS Series Cold Shrink Sleeve

P6JPB

Barrier Bolt

P6AL-X

Aluminum Compression Lug

P9CU-X

Copper Compression Lug

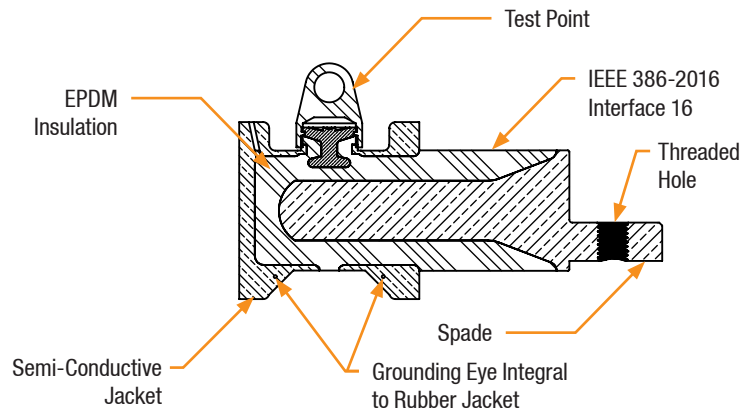
P6ALR-X

Aluminum Range Taking Lug

P7ALCU-X

Copper-Top Compression Lug

Detail View



Restrains & Tools

Compatible with the following restraints:

JRF

Compatible with the following tools:

P6JAT3

Production Testing

IEEE requires a Partial Discharge test and choice between AC withstand and Impulse.

Richards runs 3/3 tests on *all* Medium Voltage products governed by IEEE 386. [®]

100% Routine Electrical Test:

- Partial Discharge
- AC Withstand
- Impulse Withstand

Product Ratings

Voltage Ratings	
Maximum Voltage Rating – (phase to ground)	16.2kV
Corona Voltage Level – (partial discharge extinction voltage)	22kV [®]
AC Withstand – (1 minute)	45kV
Impulse-Withstand Voltage – (BIL)	162kV BIL [®]

The 15/25/28kV Joint Insulating Plug is qualified to the following industry standards:

- IEEE Std 386: For Separable Insulated Connector Systems
- IEEE Std 592: For Exposed Semiconducting Shields

[®] Exceeds IEEE 386 requirement