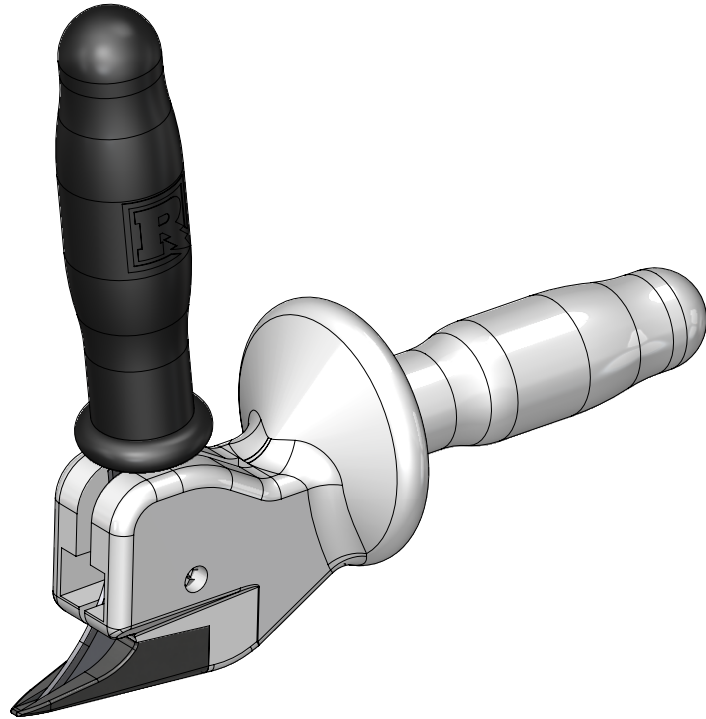


Cable Accessory Removal Tool

Product Data Sheet

The P6AT-RT Cable Accessory Removal Tool is designed to easily remove cable accessories for replacement/new work. The Removal Tool is designed to facilitate safe accessory removal and reduce chance of damaging cable.



Features

- Ergonomic design
- Replaceable blade (P6AT-RTK replacement kit)
- Safer alternative to hook knife
- Reduces risk of damaging cable

Basic Details

