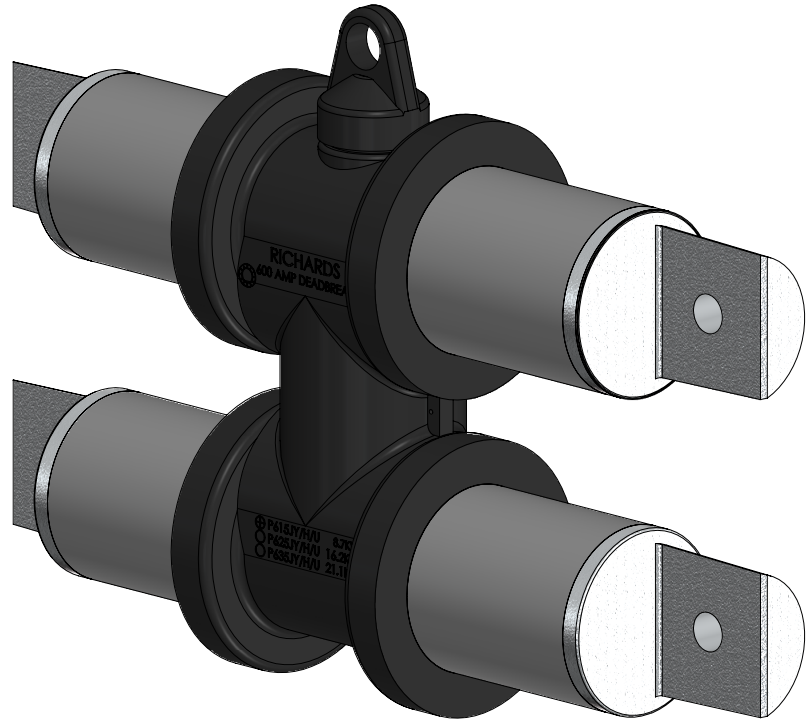


15/25/28kV Disconnectable "H9" Bus

Product Data Sheet

The Richards Disconnectable "H9" Bus is identical to a standard Disconnectable "H" Bus except the metallic bus contact has spades rotated 90 degrees from their standard orientation. This rotation facilitates alignment with the spade of cable lugs. The spades are oriented towards the cable splicer and the bolts can be engaged head on, as opposed to from an awkward position in-between bus positions.

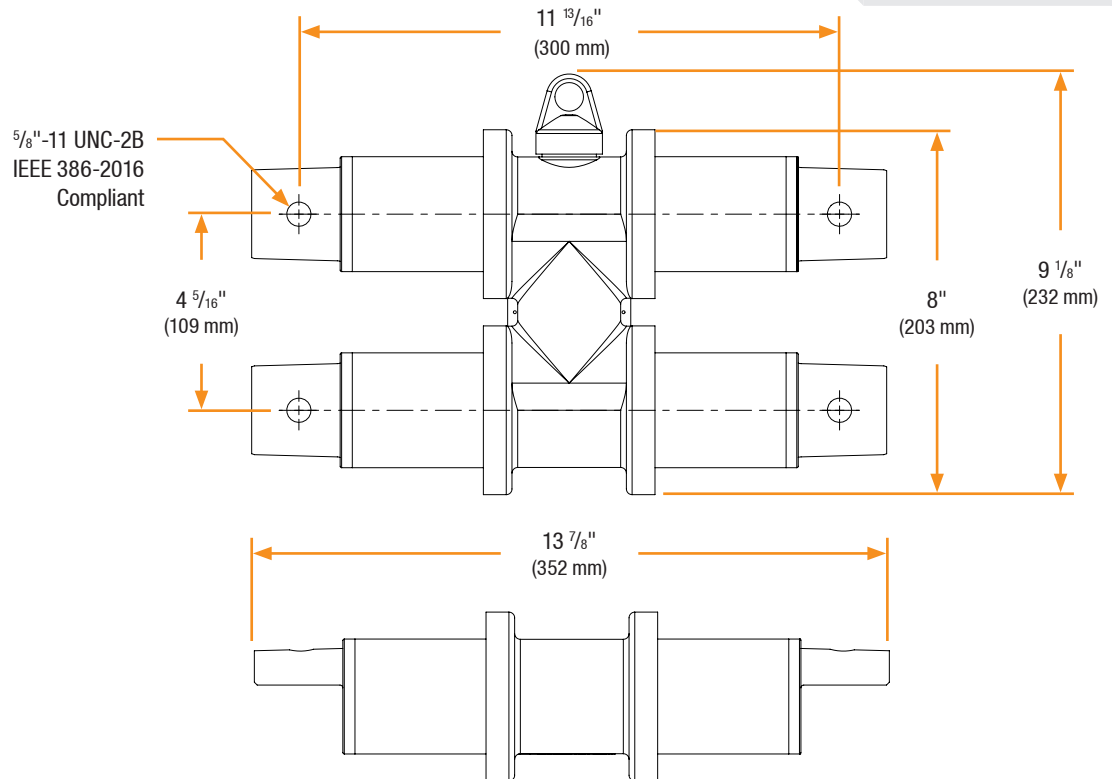
The Disconnectable Joint Bus is composed of a high-conductivity metallic bus contact overmolded with EPDM rubber. The various positions of the Bus allow for interconnection of medium voltage cables in an ultra-low-profile configuration. Accessories are also available for insulating, isolating, spiking and grounding.



Features

- Injection Molded & Peroxide-Cured EPDM Rubber
- Designed, Molded, and Tested in the USA
- Fully-Shielded/Deadfront
- Submersible
- Dependable Multi-Way Splice
- Low-profile, space-saving splicing solution
- Modular design
- Rotated Spades (90 degrees)

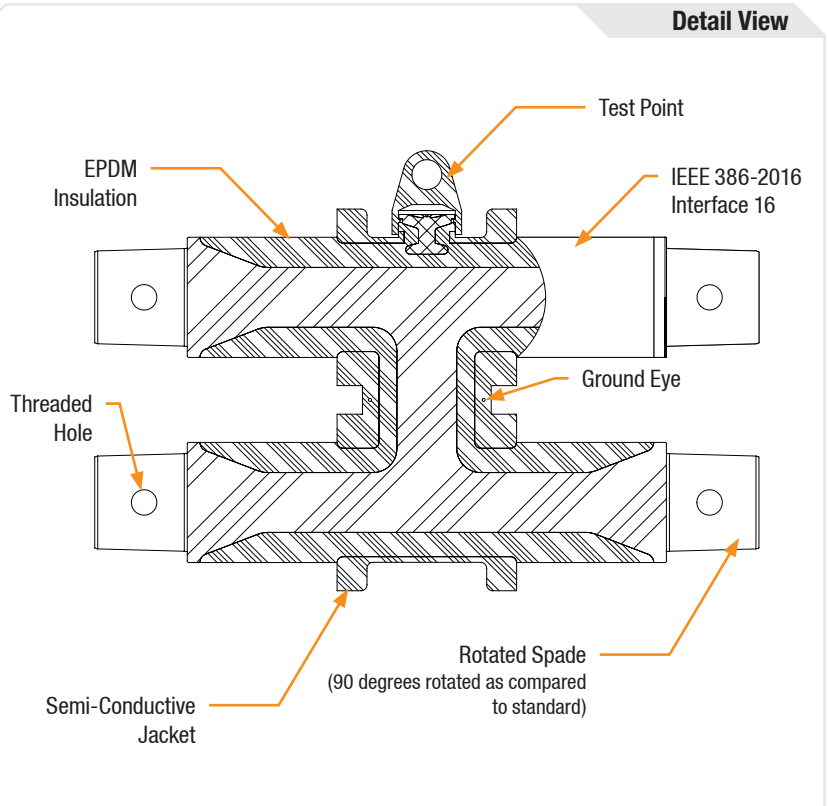
Basic Dimensions



15/25/28kV Disconnectable "H9" Bus

Related Products

P625JS 15/25/28kV Disconnectable Joint Sleeve	P625JSCS 15/25/28kV JSCS Series Cold Shrink Sleeve
92DSS0 15/25/28/35kV Spiking Stem Assembly	
P625JIC 15/25/28kV Joint Insulating Cap	P6JGC 15/25/28kV Joint Grounding Cap
P6JPB Barrier Bolt	
P6AL-X Aluminum Compression Lug	P9CU-X Copper Compression Lug
P6ALR-X Aluminum Range Taking Lug	P7ALCU-X Copper-Top Compression Lug



Restraints & Tools

Compatible with the following restraints:

JRI

JRF

Compatible with the following tools:

P6JAT1

P6JAT3

Production Testing

IEEE requires a Partial Discharge test and choice between AC withstand and Impulse.

Richards runs 3/3 tests on *all* Medium Voltage products governed by IEEE 386. [®]

100% Routine Electrical Test:

- Partial Discharge
- AC Withstand
- Impulse Withstand

[®] Exceeds IEEE 386 requirement

Product Ratings

Voltage Ratings	
Maximum Voltage Rating – (phase to ground)	16.2kV
Corona Voltage Level – (partial discharge extinction voltage)	22kV [®]
AC Withstand – (1 minute)	45kV
Impulse-Withstand Voltage – (BIL)	162kV BIL [®]

Continuous Current Ratings	
Aluminum	600A
Copper	900A

Short-Time Current Ratings	
Aluminum	40kA, 10c. and 10kA, 3s. [®]
Copper	40kA, 10c. and 10kA, 3s.

The 15/25/28kV Disconnectable "H9" Bus is qualified to the following industry standards:

- IEEE Std 386: For Separable Insulated Connector Systems
- ANSI C119.4: For Electric Connectors
- IEEE Std 592: For Exposed Semiconducting Shields
- IEEE Std 404: For Cable Joints