

SPOC | Secondary Push-on Cap

The Secondary Push-On Cap (SPOC Series) provides a simple yet reliable means to cap secondary cables up to 600V. The SPOC replaces heat shrink caps which require torches in underground structures and are difficult to remove (risk of knife cuts to splicer and cable jacket). The SPOC requires very little space and no tools to install. Once deployed, it can be removed from the cable without struggling or damaging the cable jacket. This product is engineered with two intended applications - temporary and permanent.

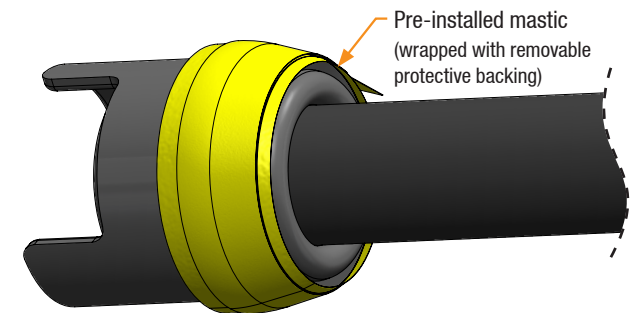
Temporary: Secondary cable splicing is performed in confined spaces with energized conductors in close-proximity. The SPOC allows a splicer to cap exposed cable ends to reduce risk of injury. The cap also keeps the cables free of dust, moisture, and other contaminants while splicing.

Permanent: Once a splicer is finished with their secondary work, the SPOC provides a means to form a permanent seal over remaining cable ends. This is also useful when storing cable and other accessories. The Cap is equipped with pre-installed mastic to form a dependable permanent seal. To install, push the cap into place, remove backing on mastic, and pull tabs back to deploy seal.

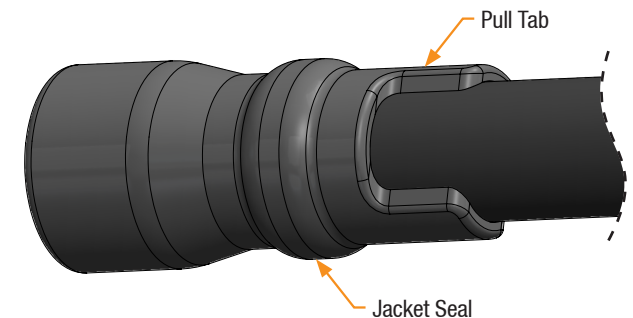
Features & Benefits

- Easy and Quick Installation
- Temporary and Permanent application
- Submersible*
- Compact Design
- No tools required
- Eliminates need for heat shrink/torches
- Cable-safe removal
- Pre-installed mastic strip
- Made in the USA
- 100% EPDM Composition

Step 1 (Temporary) - Push onto cable



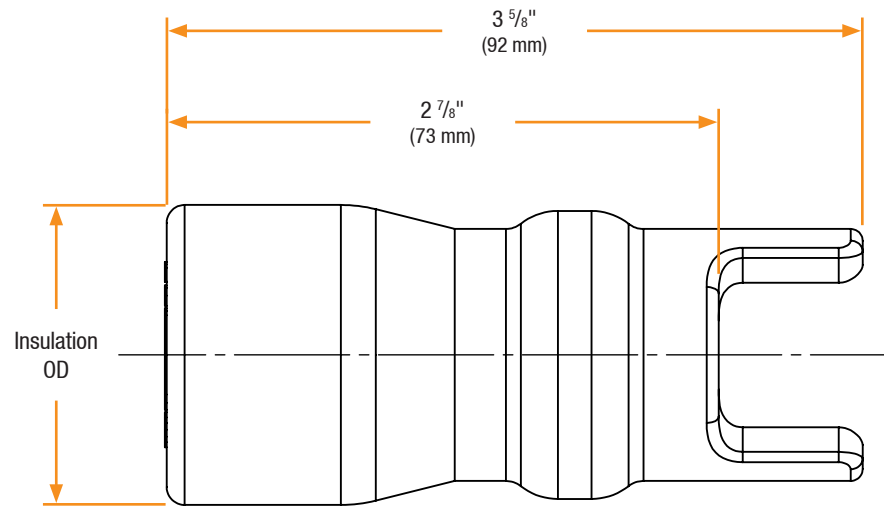
Step 2 (Permanent) - Deploy Seal



* Tested to 25' of salt water for 1 week duration.

SPOC I Secondary Push-on Cap

Installed Dimensions



| Part Number | Cable Size | Minimum Cable Insulation Diameter |
|-------------|------------|-----------------------------------|
| SPOC-12 | 4/0 AWG | 0.735" |
| SPOC-18 | 500 kcmil | 1.060" |
| SPOC-23 | 750 kcmil | 1.300" |

Note: To order SPOC in a bag of 25 add "-BAG25" to the Part Number.