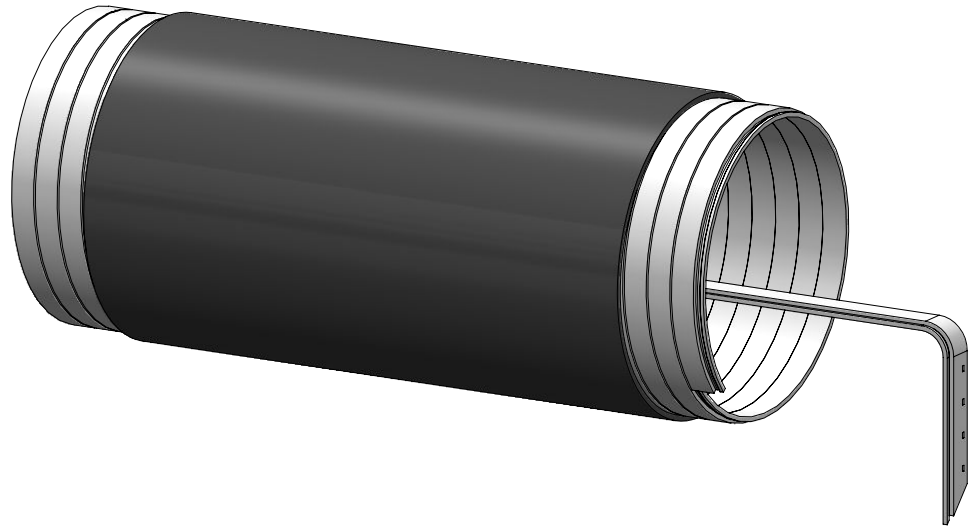


Cold Shrink Jacket Seal

Product Data Sheet

The Richards Manufacturing PCRK-005 Series Cold Shrink Jacket Seal provides a dependable solution for re-jacketing of medium voltage and other power cables. The PCRK Series is used when the jacket of a power cable is removed and a moisture/water seal must be re-constructed.

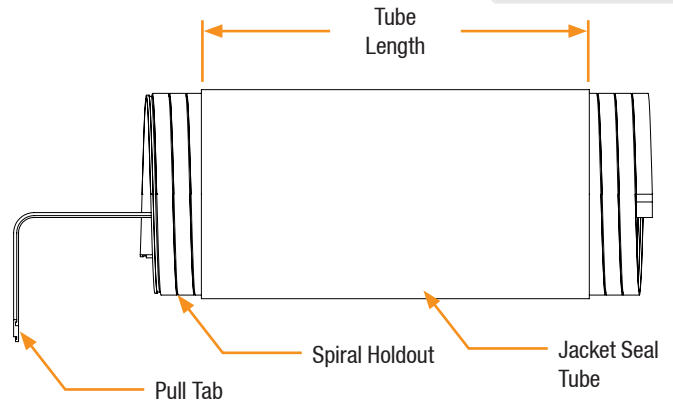
The jacket seal tube is made from cold-shrinkable EPDM expanded onto a spiral-wound holdout. Mastic strips are included in the kit to form a water seal. The spiral holdout is unwound by pulling the pull tab, shrinking the jacket seal tube over the desired area.



Features

- Jacket Seal made from cold-shrinkable EPDM
- Completely submersible solution for re-jacketing medium voltage power cable jackets
- Range-taking
- Includes Sealing Mastic

Basic Dimensions



Dimensions & Applications

Part #	Dimensional Information				Application Information				
	Minimum Seal Diameter	Maximum Seal Diameter**	Nominal Relaxed Tube Length	Nominal Expanded Tube Length	Kit Adder Suffix	Cable Adapter Range	Cable Sizes*		
							15kV	25kV	35kV
PCRK-005-1	0.95" (24 mm)	1.94" (49 mm)	6" (150 mm)	5" (127 mm)	AC	All Loadbreak Elbow Sizes; Cable Adapter Sizes E-J	2-4/0	2-2/0	1/0
PCRK-005-2	1.28" (33 mm)	2.67" (68 mm)	8" (200 mm)	6.25" (159 mm)	AD	Cable Adapter Sizes K-P	2/0-1000	1/0-750	1/0-500
PCRK-005-3	1.60" (41 mm)	3.50" (89 mm)	9" (225 mm)	7.75" (197 mm)	AG	Cable Adapter Sizes Larger than P	750-1500	600-1500	350-1500

* Cable sizes are approximations. To determine suitability on specific cable check min/max seal diameter or contact the factory.

** Maximum may be extended depending on neutral preparation. Contact the factory for more information.