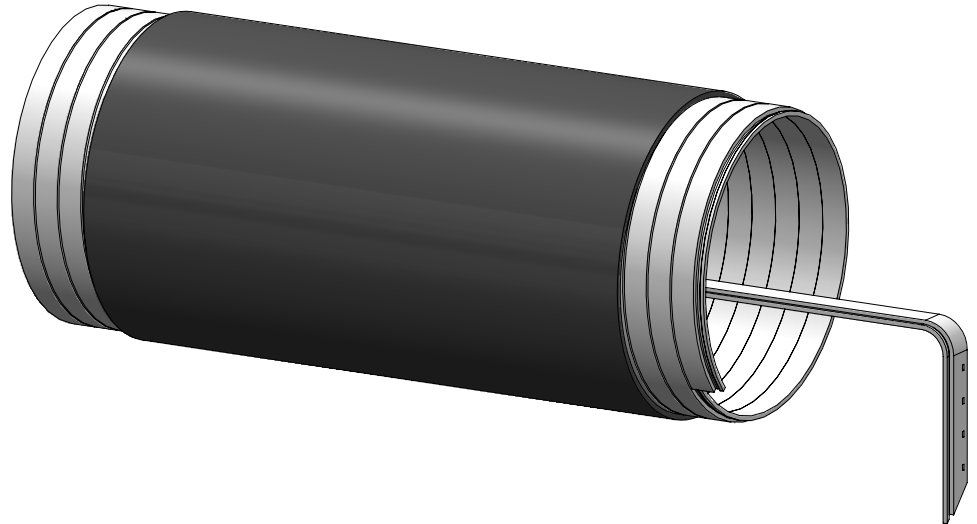


Cold Shrink Jacket Seal

Product Data Sheet

Richards Manufacturing PCRK Series Cold Shrink Jacket Seals provide a dependable solution for re-jacketing of medium voltage and other power cables. The PCRK Series is used when the jacket of a power cable is removed and a moisture/water seal must be re-constructed.

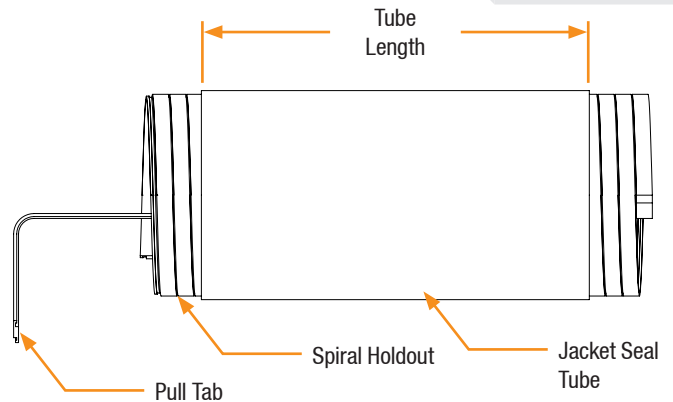
The jacket seal tube itself is constructed from EPDM rubber, expanded onto a spiral holdout core. The tube must be stored/parked on the cable during installation. Butyl mastic strips are included in the kit to form a water seal. The spiral holdout is unwound by pulling the pull tab, shrinking the EPDM jacket seal tube over the desired area.



Features

- Extruded EPDM Composition
- Completely submersible solution for re-jacketing medium voltage power cable jackets
- Range-taking
- Includes Butyl Sealing Mastic

Basic Dimensions



Usage Table

| Part # | Dimensional Information | | | | Kit Adder Suffix | Cable Adapter Range | Application Information | | |
|------------|-------------------------|-----------------------|-----------------------------|------------------------------|------------------|---|-------------------------|----------|----------|
| | Minimum Seal Diameter | Maximum Seal Diameter | Nominal Relaxed Tube Length | Nominal Expanded Tube Length | | | Cable Sizes* | | |
| | | | | | | | 15kV | 25kV | 35kV |
| PCRK-005-1 | 0.95" (24 mm) | 1.94" (49 mm) | 6" (150 mm) | 4.5" (114 mm) | AC | All Loadbreak Elbow Sizes; Cable Adapter Sizes E-J | 2-4/0 | 2-2/0 | 1/0 |
| PCRK-005-2 | 1.28" (33 mm) | 2.67" (68 mm) | 8" (200 mm) | 6.5" (165 mm) | AD | Cable Adapter Sizes K-N | 2/0-1000 | 1/0-750 | 1/0-500 |
| PCRK-005-3 | 1.60" (41 mm) | 3.50" (89 mm) | 9" (225 mm) | 7.5" (190 mm) | AG | Cable Adapter Sizes Larger than N | 750-1500 | 600-1250 | 350-1000 |

* Cable sizes are approximations. To determine suitability on specific cable check min/max seal diameter or contact the factory.