

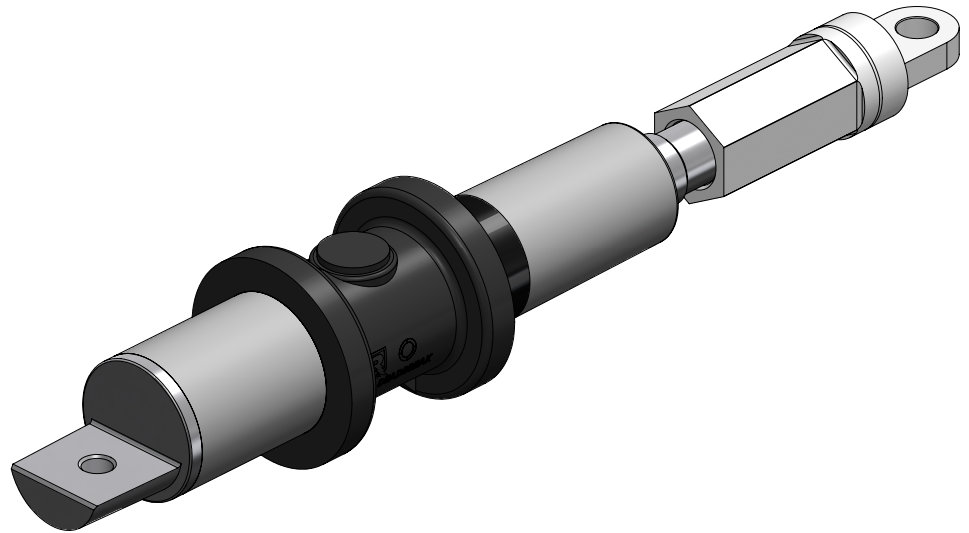
# 15/25/28kV Deadbreak Elbow Extension Adapter

Product Data Sheet

The Richards 15/25/28kV Deadbreak Elbow Extension Adapter provides a robust solution for extension of medium voltage power cable. Applications include extending a connection to reach new equipment (e.g. live front to dead front conversion) and replacing damaged cable/accessories.

The Adapter is a specialized bus which is designed to interface with a 15/25/28kV Deadbreak Elbow housing on one side, and a 15/25/28kV Disconnectable Joint Sleeve on the other. Richards JSCS Cold Shrink or traditional Richards Disconnectable Joint Sleeves can be utilized.

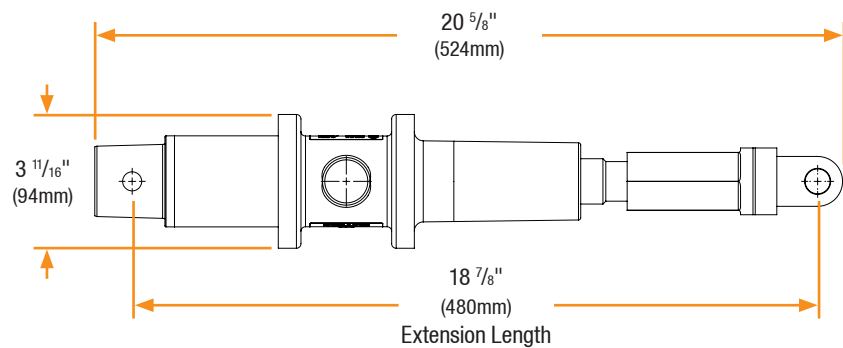
The Deadbreak Elbow housing mates with the equipment connection (switchgear/transformer bushing, deadbreak junction, etc.) and the Disconnectable Joint Sleeve provides an in-line transition to the power cable.



## Features

- Injection Molded and Peroxide Cured
- Aluminum contact overmolded with EPDM rubber
- Extension length facilitates repair and equipment replacements/ upgrades
- Molded top interface designed to mate with 15/25/28kV Deadbreak Elbow housing
- Bottom Disconnectable Joint interface allows for in-line connection
- Factory-installed Lug

## Basic Dimensions



\* 51" for installations with JS Sleeves, 40" for installations with JSCS Sleeves.  
Note: Cable should be able to move at least 2" in either direction.

# 15/25/28kV Deadbreak Elbow Extension Adapter

## Installation

15/25/28kV Deadbreak Elbow Extension Adapter installation is covered by: **II-25DE-JS** for JS Sleeves and **II-25DE-JSCS** for JSCS Sleeves

## Related Products

### P625HIP-STUD

15/25/28kV Aluminum Threaded Stud

### P925HIP-STUD

15/25/28kV Copper Threaded Stud

### 62LCN/62LCT

15/25/28kV Deadbreak Elbow

### 92LCN/92LCT

15/25/28kV Deadbreak Elbow

### 618 SERIES

15kV R-800 - all fastener styles

### 628 SERIES

25kV R-800 - all fastener styles

### JS SERIES

15/25/28kV Disconnectable Joint Sleeve

### JSCS SERIES

15/25/28kV Cold Shrink Sleeve - all sizes

### P615ETP

15kV Elbow Tap Plug

### P625ETP

25kV Elbow Tap Plug

## Applications



Outdoor



Vaults



Enclosures



Direct Bury



Submersible

## Production Testing

IEEE requires a Partial Discharge test and choice between AC withstand and Impulse.

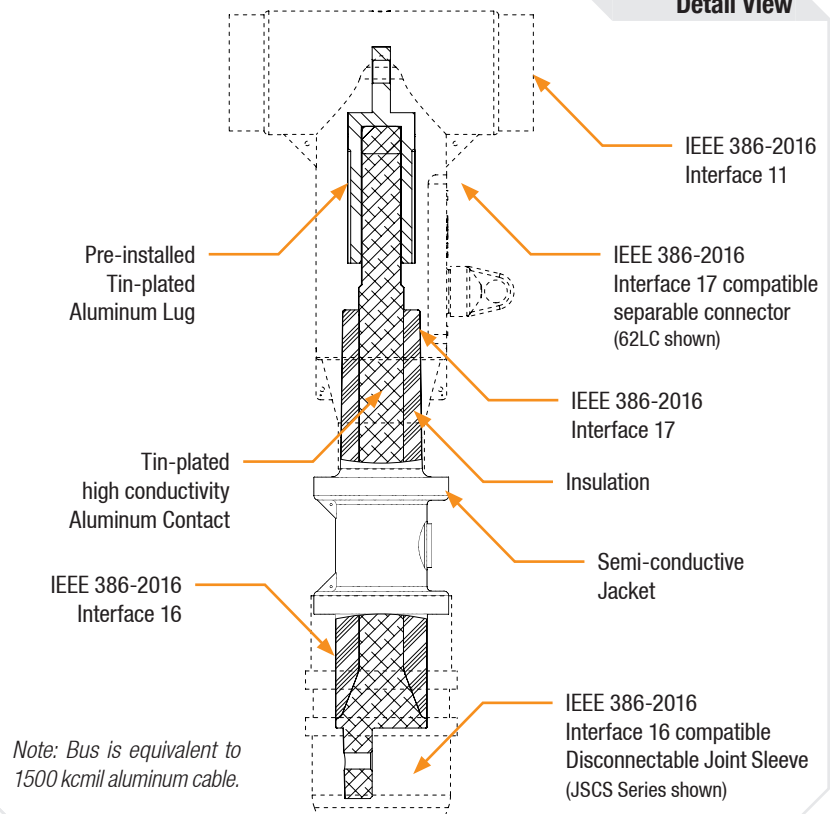
Richards runs 3/3 tests on **all** Medium Voltage products governed by IEEE 386. <sup>®</sup>

### 100% Routine Electrical Test:

- Partial Discharge
- AC Withstand
- Impulse Withstand

<sup>®</sup> Exceeds IEEE 386 requirement

## Detail View



## Product Ratings

### Voltage Ratings

Maximum Voltage Rating – (phase to ground)	16.2kV
Corona Voltage Level – (partial discharge extinction voltage)	22kV <sup>®</sup>
AC Withstand – (1 minute)	45kV
Impulse-Withstand Voltage – (BIL)	162kV BIL <sup>®</sup>

### Continuous Current Ratings

Aluminum	600A
----------	------

### Short-Time Current Ratings

Aluminum	25kA, 10c. and 10kA, 3s.
----------	--------------------------

The 15/25/28kV Deadbreak Elbow Extension Adapter is qualified to the following industry standards:

- IEEE Std 386: For Separable Insulated Connector Systems
- ANSI C119.4: For Electric Connectors
- IEEE Std 592: For Exposed Semiconducting Shields