

35kV 200kV BIL Deadbreak Junctions

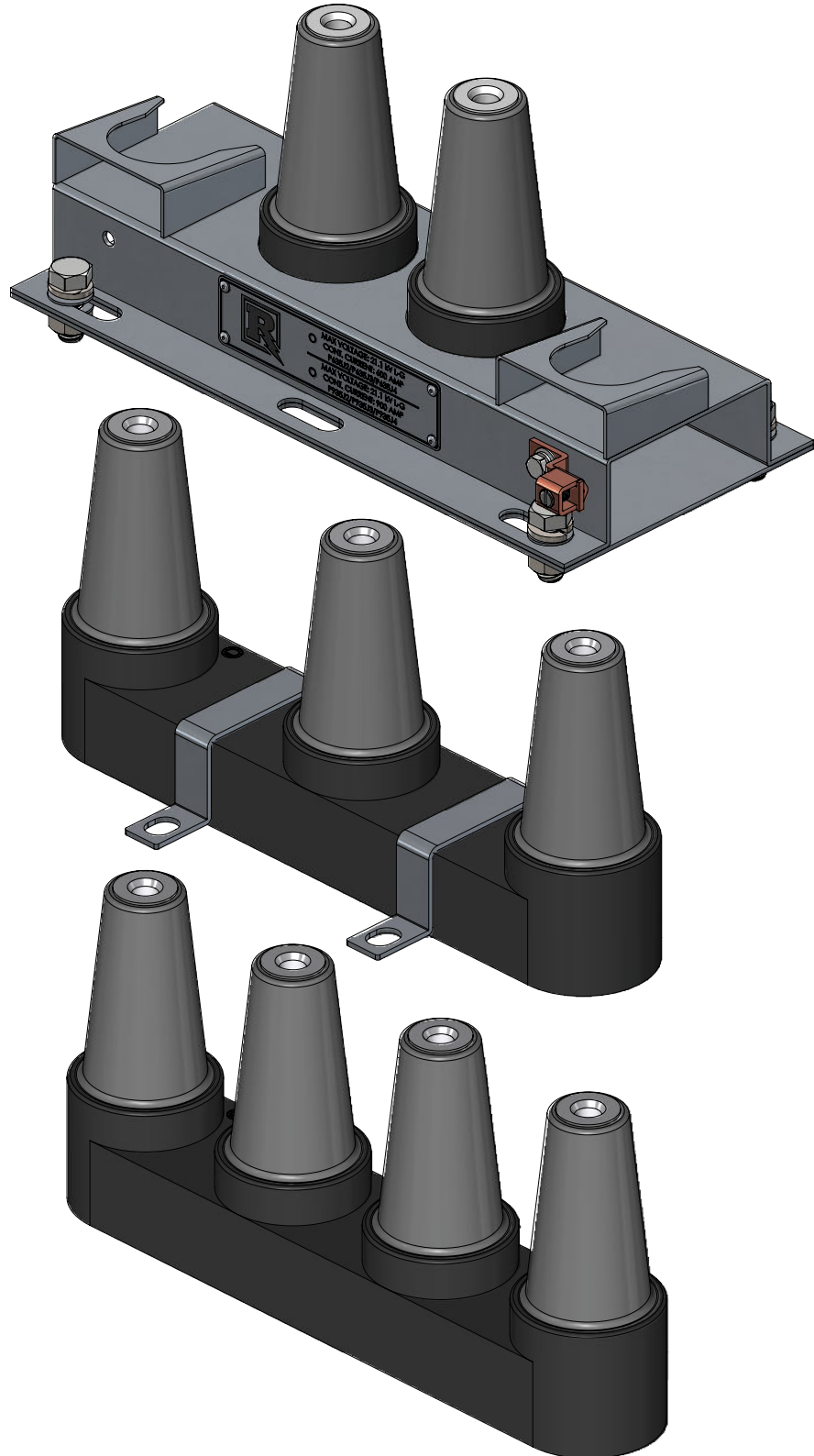
Product Data Sheet

The 35kV Deadbreak Junction provides multiple 600 or 900A 35kV Deadbreak Bushing interfaces (IEEE 386, Interface 13) connected to a common contact. Junctions are commonly installed in enclosures but also can be mounted directly to an underground structure such as the wall of a vault.

They can be ordered molded with an Aluminum (600A) or a Copper contact (900A). Three configurations are available: 2-Position, 3-Position and 4-Position. Kits are available with U-Straps or Brackets for mounting purposes. Deadbreak Junctions are available with either 4" or 6" spacing between interfaces. For dimensional information, see the last page of this Product Data Sheet.

Features

- Injection Molded & Peroxide-Cured EPDM
- Fully-Shielded/Deadfront
- Designed, Molded, and Tested in the USA



35kV 200kV BIL Deadbreak Junctions

Installation

35kV Deadbreak Junction installation is covered by:
RP-II-JX

Related Products

P635HIP-STUD

35kV Aluminum Threaded Stud

P935HIP-STUD

35kV Copper Threaded Stud

63LCN-200/63LCT-200

35kV Deabreak Elbow

93LCN-200/93LCT-200

35kV Deabreak Elbow

P6AL-X

Aluminum Compression Connector

P9CU-X

Copper Compression Connector

P7ALCU-X

Copper-Top Compression Connector

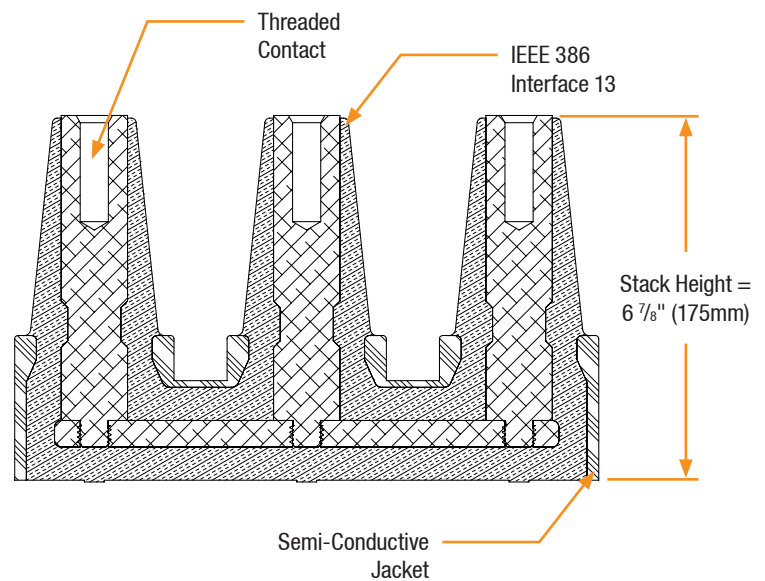
P635IC

35kV Aluminum Insulating Cap

P935IC

35kV Copper Insulating Cap

Detail View



Applications



Outdoor



Vaults



Enclosures



Direct Bury



Submersible

Production Testing

IEEE requires a Partial Discharge test and choice between AC withstand and Impulse.

Richards runs 3/3 tests on **all** Medium Voltage products governed by IEEE 386. [®]

100% Routine Electrical Test:

- Partial Discharge
- AC Withstand
- Impulse Withstand

Product Ratings

Voltage Ratings

Maximum Voltage Rating – (phase to ground)	21.1kV
Corona Voltage Level – (partial discharge extinction voltage)	26kV
AC Withstand – (1 minute)	70kV [®]
Impulse-Withstand Voltage – (BIL)	200kV BIL [®]

Continuous Current Ratings

Aluminum	600A
Copper	900A

Short-Time Current Ratings

Aluminum	25kA, 10c. and 10kA, 3s.
Copper	40kA, 10c. and 10kA, 3s.

The 35kV Deadbreak Junction is qualified to the following industry standards:

- IEEE Std 386: For Separable Insulated Connector Systems
- ANSI C119.4: For Electric Connectors
- IEEE Std 592: For Exposed Semiconducting Shields

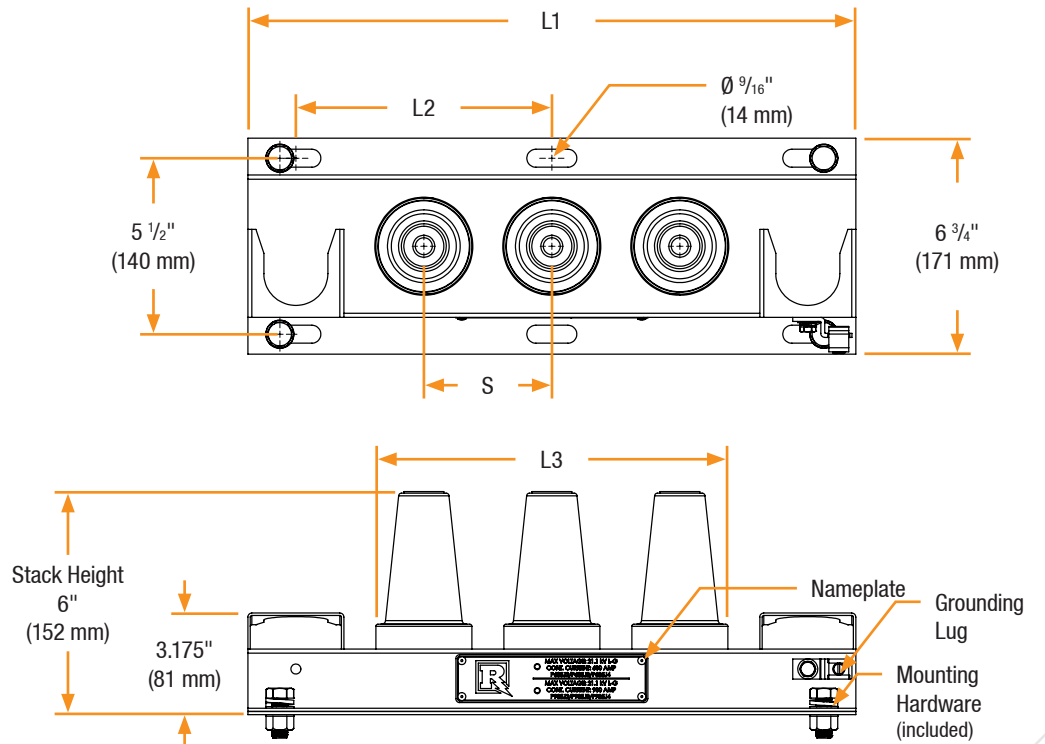
[®] Exceeds IEEE 386 requirement

35kV 200kV BIL Deadbreak Junctions

Dimensional Chart

# Of Positions	Spacing (S)	L1	L2	L3
2	4"	15"	6"	7"
	6"	21"	9"	9"
3	4"	19"	8"	11"
	6"	27"	12"	15"
4	4"	23"	10"	15"
	6"	33"	15"	21"

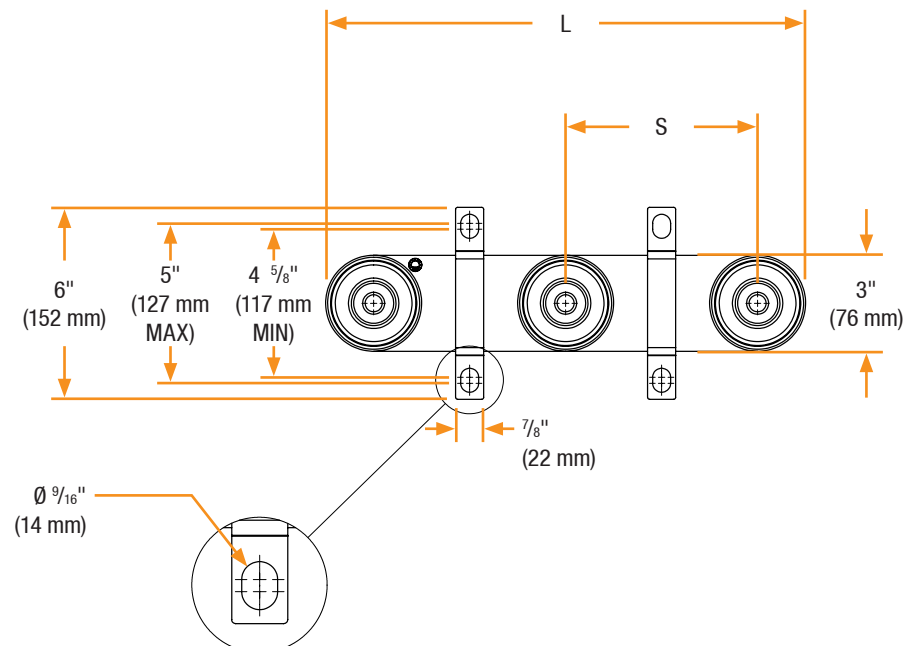
Junction Dimensions - Bracket



Dimensional Chart

# Of Positions	Spacing (S)	L*
2	4"	7"
	6"	9"
3	4"	11"
	6"	15"
4	4"	15"
	6"	21"

Junction Dimensions - U Straps



* U Straps for 4" spaced Junctions are available with 5" hole to hole spacing. Contact factory for more information.