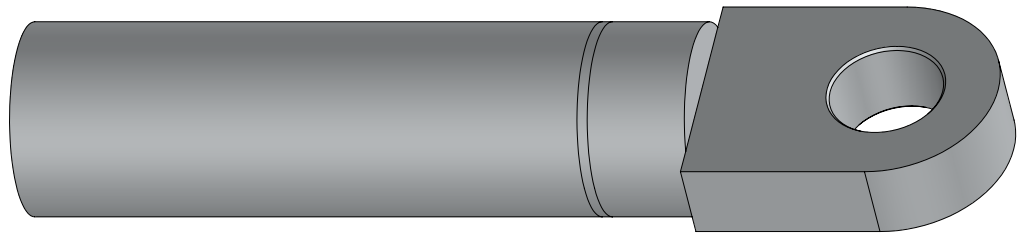


600A Aluminum Compression Lug

Product Data Sheet

Richards P6AL Series Aluminum Compression Lugs are current carrying components installed on power cable conductors and can be used to assemble Deadbreak Elbows, Disconnectable Joints, and related products. The P6AL Series Lugs are rated for use on Aluminum or Copper conductors.

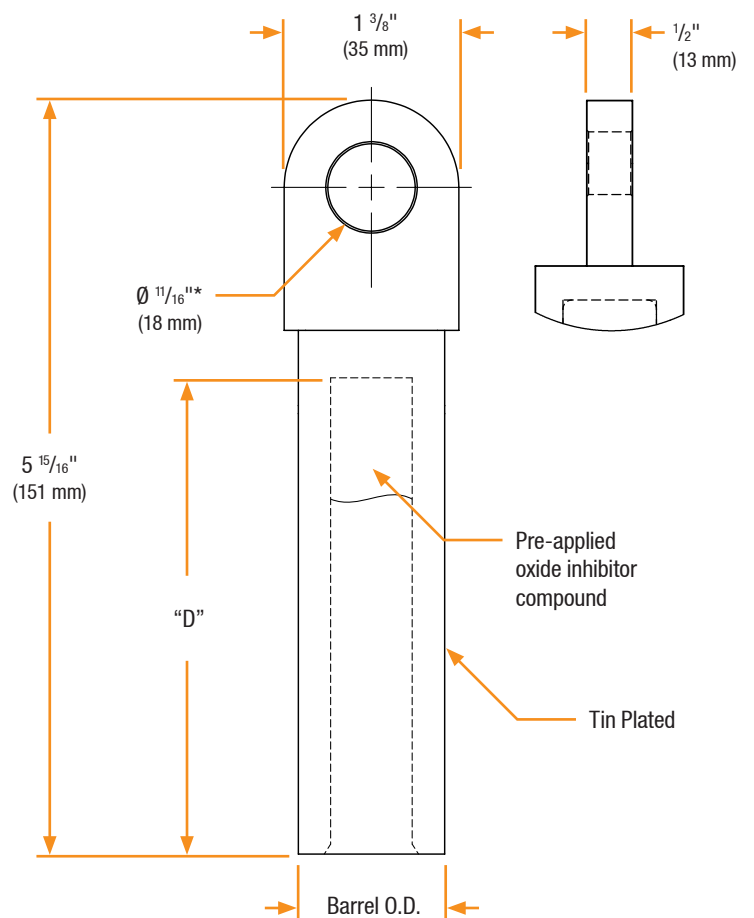
They have been qualified per IEEE 386 to 600A rating. The lugs are tin-plated and filled with oxide inhibitor and supplied with an 11/16" unthreaded hole by default. They are also available with a 15/16"-9 threaded hole (to order as such, add "-15/16" to the part number).



Range

Cable Size		Size "X"	Barrel O.D. (in.)	"D" (in.)
Stranded / Compressed	Compact / Solid			
#3	#2	06	0.85"	3.50"
#2	#1	07		
#1	1/0	08		
1/0	2/0	09		
2/0	3/0	10		
3/0	4/0	11		
4/0	250	12	1.15"	3.75"
250	300	13		
300	350	14		
350	400	15	1.32"	
400	450	16		
450	500/550	17		
500	600	18		
600	700	20		
650	750/800	211		
700	—	22		
750	900	23		
800	—	24		
900	1000	26	1.84"	
1000	—	28		
1100	—	285		
1250	—	29	2.25"	
1500	—	30		

Basic Dimensions



* For 15/16"-9 threaded hole add "-15/16"