

# 15/25/28kV Joint Insulating Cap

Product Data Sheet

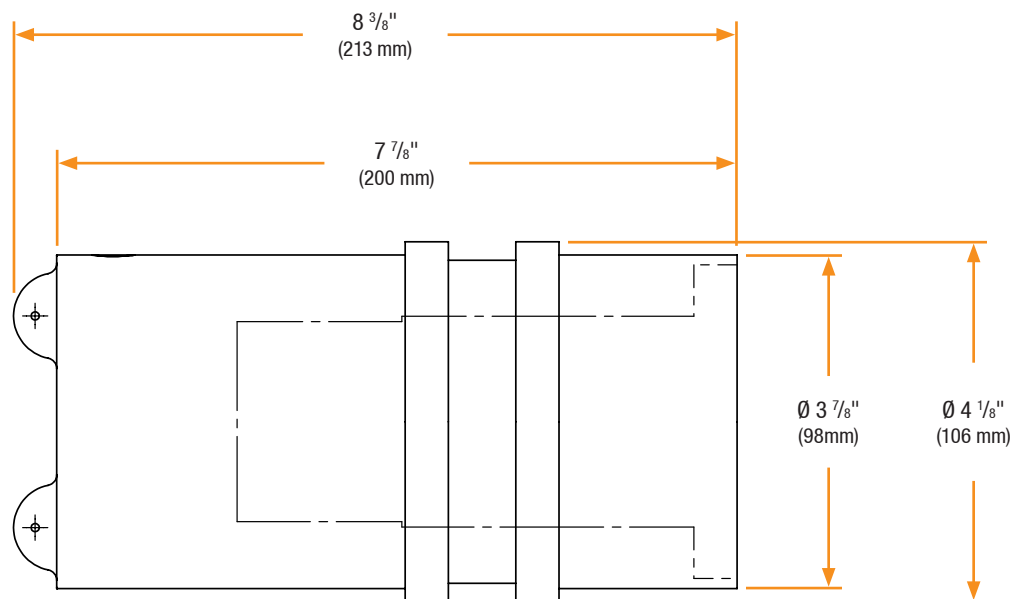
Richards 15/25/28kV Insulating Cap (P625JIC) provides a means for shielding, sealing and insulating 600A Disconnectable Joint Bus interfaces that are not in use. The JIC is supplied with a stainless steel bail which secures the Insulating Cap to the Disconnectable Joint Bus.



## Features

- Injection Molded & Peroxide-Cured EPDM Rubber
- Fully-Shielded/Deadfront
- Compatible with sleeve restraints
- Reusable
- Modular design
- Submersible
- Designed, Molded, and Tested in the USA

## Basic Dimensions



# 15/25/28kV Joint Insulating Cap

## Installation

15/25/28kV Joint Insulating Cap installation is covered by:  
**RP-II-JIC**

## Related Products

### JX SERIES

15/25/28kV Disconnectable Joint Busses

### JRX SERIES

Sleeve Restraints

### JGC

15/25/28kV Grounding Cap

### P625JS

15/25/28kV Disconnectable Standard Sleeve

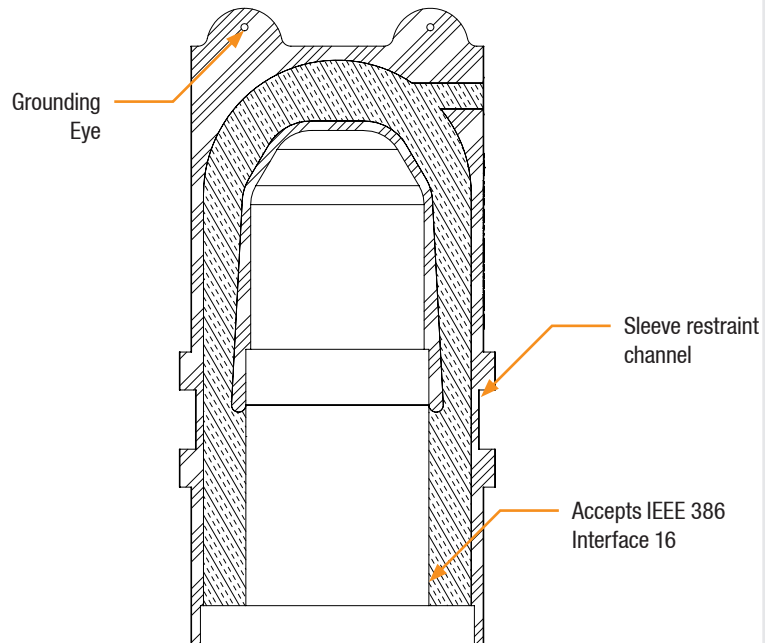
### P625JSCS

15/25/28kV Disconnectable Cold Shrink Sleeve

### 92DSSO

15/25/28kV Spiking Stem

## Detail View



## Production Testing

IEEE requires a Partial Discharge test and choice between AC withstand and Impulse.

Richards runs 3/3 tests on **all** Medium Voltage products governed by IEEE 386. <sup>®</sup>

### 100% Routine Electrical Test:

- Partial Discharge
- AC Withstand
- Impulse Withstand

## Product Ratings

Voltage Ratings	
Maximum Voltage Rating – (phase to ground)	16.2kV
Corona Voltage Level – (partial discharge extinction voltage)	22kV <sup>®</sup>
AC Withstand – (1 minute)	45kV
Impulse-Withstand Voltage – (BIL)	162kV BIL <sup>®</sup>

The 15/25/28kV Joint Insulating Cap is qualified to the following industry standards:

- IEEE Std 386: For Separable Insulated Connector Systems
- IEEE Std 592: For Exposed Semiconducting Shields

<sup>®</sup> Exceeds IEEE 386 requirement