

# 35kV Deadbreak Insulating Plug

Product Data Sheet

The Richards 35kV Deadbreak Insulating Plug provides a means for insulating a 35kV Deadbreak Elbow or Bushing Extender. The Insulating Plug has an internal threaded contact that engages a threaded stud. The Deadbreak Insulating Plug is available with an Aluminum (600A) or Copper contact (900A). Each Insulating Plug has a molded-in hex nut used for installation. The hex nut also doubles as a capacitive test point. Included with every Insulating Plug is an EPDM rubber cap that is installed onto the molded-in hex nut.

The HIP-CAP, now available in a low profile design (HIP-CAP-LP), features an eyelet for installation and removal. The new low profile cap reduces stack height, which is important in environments where space is limited.



## Features

- Injection Molded Epoxy Composition
- Capacitive Test Point (Hex Nut)
- EPDM Rubber Cap Included

## Ordering Information

### P635HIP

Aluminum Insulating Plug

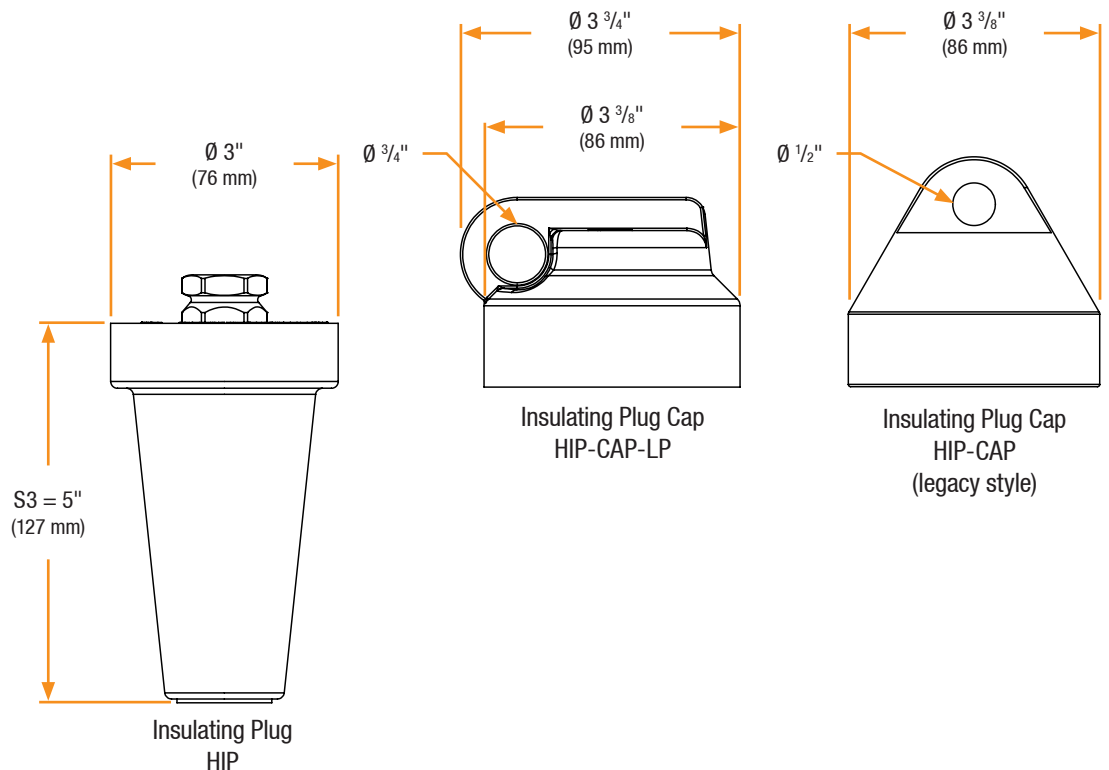
### P935HIP

Copper Insulating Plug

To order with a factory-installed threaded stud, add "-S" to the part number.

To order with a loose threaded stud, add "-LS" to the part number.

## Basic Dimensions



# 35kV Deadbreak Insulating Plug

## Installation

35kV Deadbreak Insulating Plug installation is covered by:  
**RP-II-PLUGWELL**

## Related Products

### P635HIP-STUD

35kV Aluminum Threaded Stud

### P935HIP-STUD

35kV Copper Threaded Stud

### 63LCN/63LCT

35kV Deabreak Elbow

### 93LCN/93LCT

35kV Deabreak Elbow

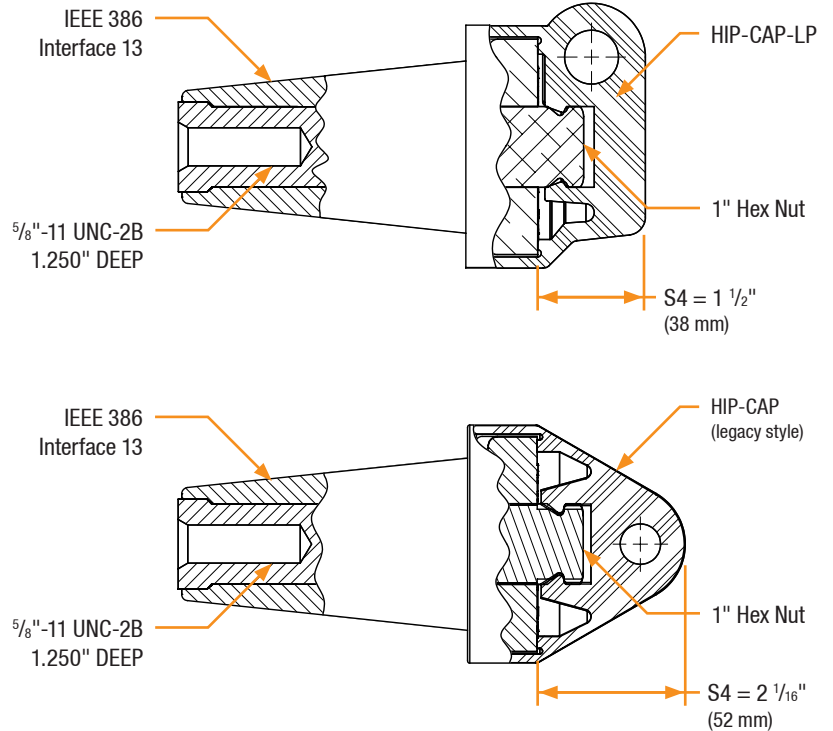
### P635IC

35kV Aluminum Insulating Cap

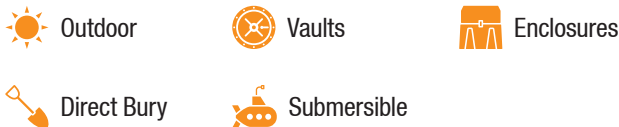
### P935IC

35kV Copper Insulating Cap

## Detail View



## Applications



## Production Testing

IEEE requires a Partial Discharge test and choice between AC withstand and Impulse.

Richards runs 3/3 tests on **all** Medium Voltage products governed by IEEE 386. <sup>®</sup>

### 100% Routine Electrical Test:

- Partial Discharge
- AC Withstand
- Impulse Withstand

Richards Deadbreak Insulating Plugs are designed to allow for production testing at 200kV BIL. For more information see our 200kV BIL Product Data Sheets or contact the factory.

<sup>®</sup> Exceeds IEEE 386 requirement

## Product Ratings

### Voltage Ratings

Maximum Voltage Rating – (phase to ground)	21.1kV
Corona Voltage Level – (partial discharge extinction voltage)	26kV
AC Withstand – (1 minute)	50kV
Impulse-Withstand Voltage – (BIL)	162kV BIL <sup>®</sup>

### Continuous Current Ratings

Aluminum	600A
Copper	900A

### Short-Time Current Ratings

Aluminum	25kA, 10c. and 10kA, 3s.
Copper	40kA, 10c. and 10kA, 3s.

The 35kV Deadbreak Insulating Plug is qualified to the following industry standards:

- IEEE Std 386: For Separable Insulated Connector Systems
- ANSI C119.4: For Electric Connectors
- IEEE Std 592: For Exposed Semiconducting Shields