

35kV Deadbreak Connecting Plug

Product Data Sheet

Richards 35kV 600A (P635CPR) and 900A (P935CPR) Deadbreak Connecting Plugs are utilized to connect two or more 35kV Deadbreak Elbows together. The Elbows can be configured as a splice, or stacked onto a junction or apparatus bushing.

Richards Connecting Plugs are manufactured from EPDM rubber and are fully shielded. Each interface (IEEE Std. 386 Interface 11) is equipped with an internal 3/8" hex broach. The Connecting Plug is torqued using an approved installation tool such as the Richards P6AT.

Add -LS to include loose stud (P635CPR-LS).

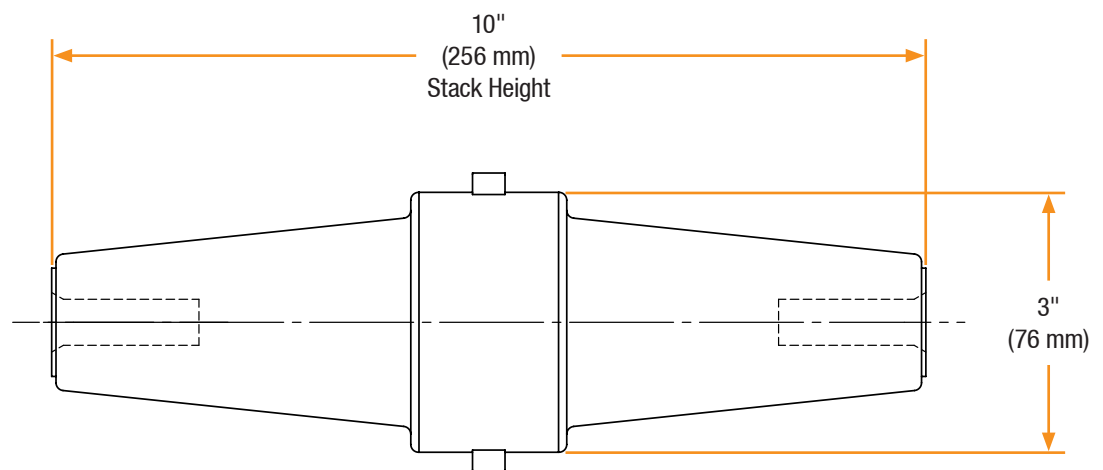
Add -S to include factory installed stud (P635CPR-S).



Features

- 100% EPDM Composition
- Injection Molded & Peroxide-Cured
- Made in the USA
- Fully-Shielded/Deadfront
- Internal Hex Broach for 3/8" Tools

Basic Dimensions



35kV Deadbreak Connecting Plug

Installation

35kV Deadbreak Connecting Plug Installation is covered by:
RP-II-PLUGWELL

Related Products

P635HIP-STUD

35kV Aluminum Threaded Stud

P935HIP-STUD

35kV Copper Threaded Stud

63LCN/63LCT

35kV Deadbreak Elbow

93LCN/93LCT

35kV Deadbreak Elbow

P635BE

35kV Bushing Extender

P935BE

35kV Bushing Extender

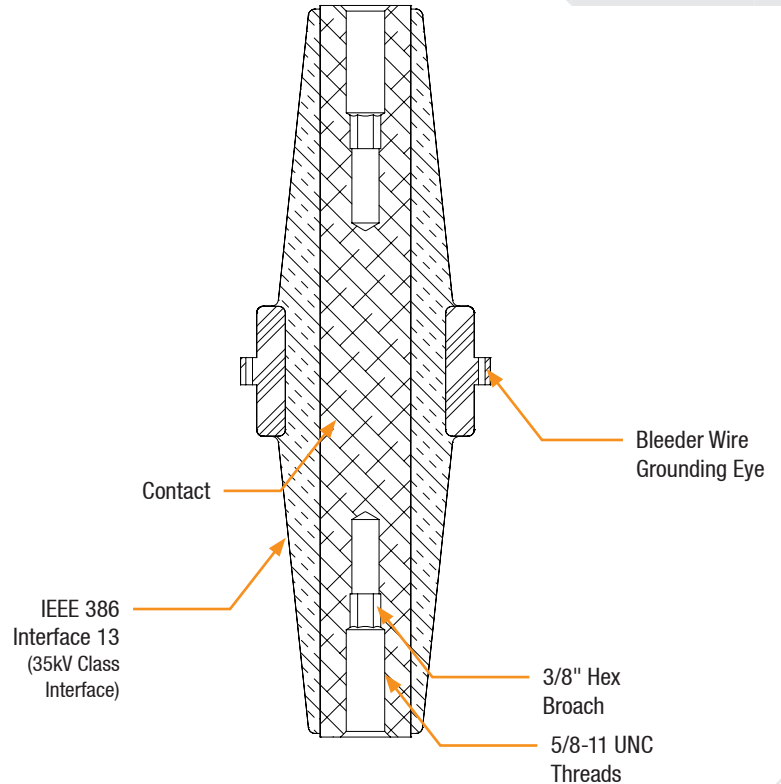
P635IC

35kV Insulating Cap

P935IC

35kV Insulating Cap

Detail View



Applications



Outdoor



Vaults



Enclosures



Direct Bury



Submersible

Production Testing

IEEE requires a Partial Discharge test and choice between AC withstand and Impulse.

Richards runs 3/3 tests on **all** Medium Voltage products governed by IEEE 386. [®]

100% Routine Electrical Test:

- Partial Discharge
- AC Withstand
- Impulse Withstand

Richards Deadbreak Connecting Plugs are designed to allow for production testing at 200kV BIL. For more information see our 200kV BIL Product Data Sheets or contact the factory.

Product Ratings

Voltage Ratings

Maximum Voltage Rating – (phase to ground)	21.1kV
Corona Voltage Level – (partial discharge extinction voltage)	26kV
AC Withstand – (1 minute)	50kV
Impulse-Withstand Voltage – (BIL)	162kV BIL [®]

Continuous Current Ratings

Aluminum	600A
Copper	900A

Short-Time Current Ratings

Aluminum	25kA, 10c. and 10kA, 3s.
Copper	40kA, 10c. and 10kA, 3s.

The 35kV Deadbreak Connecting Plug is qualified to the following industry standards:

- IEEE Std 386: For Separable Insulated Connector Systems
- ANSI C119.4: For Electric Connectors
- IEEE Std 592: For Exposed Semiconducting Shields

[®] Exceeds IEEE 386 requirement