

15/25/28kV Disconnectable Sleeve

Product Data Sheet

Richards Disconnectable Joints provide a robust, versatile option for splicing underground medium voltage cables. They can be used for straight or multi-way splicing and can be disconnected for circuit isolation, grounding, expansion and more. Disconnectable Joints are molded from peroxide-cured EPDM and are fully shielded and submersible.

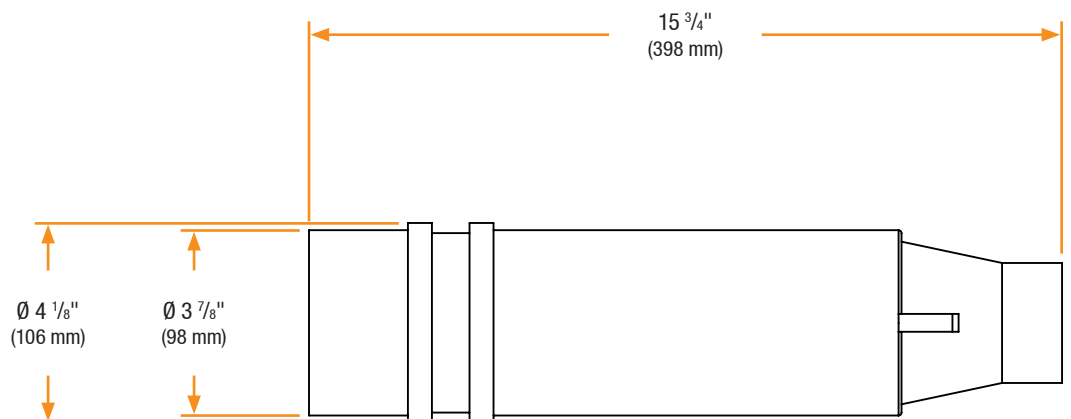
The Richards 15/25/28kV Class Disconnectable Sleeve (P625JS/P925JS) is the housing that slides over the prepared cable and mates with the Disconnectable Joint Bus. The Sleeve forms an interference fit with both the Bus and Cable Adapter. Optional accessories for the Sleeve include Sleeve Restraints and capacitive test points.



Features

- Injection Molded & Peroxide-Cured EPDM Rubber
- Fully-Shielded/Deadfront
- Low-profile, space-saving splicing solution
- Modular design
- Submersible
- Dependable Multi-Way Splice
- Designed, Molded, and Tested in the USA

Basic Dimensions



15/25/28kV Disconnectable Sleeve

Installation

15/25/28kV Disconnectable Sleeve installation is covered by:
RP-II-JS

Related Products

JSCS SERIES

15/25/28kV JSCS Series Cold Shrink Sleeve

P625JIC

15/25/28kV Joint Insulating Cap

P6JPB

Barrier Bolt

P6AL-X

Aluminum Compression Lug

P6ALR-X

Aluminum Range Taking Lug

JX SERIES

15/25/28kV Disconnectable Joint Busses

P6JGP

15/25/28kV Joint Grounding Plug

92DSS0

15/25/28/35kV Spiking Stem Assembly

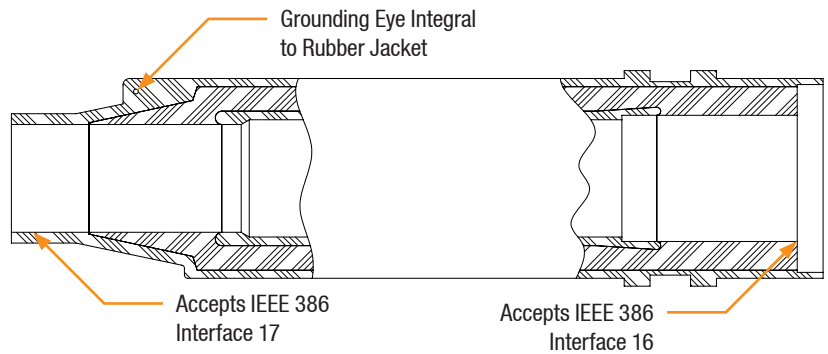
P9CU-X

Copper Compression Lug

P7ALCU-X

Copper-Top Compression Lug

Detail View



Production Testing

IEEE requires a Partial Discharge test and choice between AC withstand and Impulse.

Richards runs 3/3 tests on *all* Medium Voltage products governed by IEEE 386. [®]

100% Routine Electrical Test:

- Partial Discharge
- AC Withstand
- Impulse Withstand

Product Ratings

Voltage Ratings

Maximum Voltage Rating – (phase to ground)	16.2kV
Corona Voltage Level – (partial discharge extinction voltage)	22kV [®]
AC Withstand – (1 minute)	45kV
Impulse-Withstand Voltage – (BIL)	162kV BIL [®]

Continuous Current Ratings

Aluminum	600A
Copper	900A

Short-Time Current Ratings

Aluminum	40kA, 10c. and 10kA, 3s. [®]
Copper	40kA, 10c. and 10kA, 3s.

The 15/25/28kV Disconnectable Sleeve is qualified to the following industry standards:

- IEEE Std 386: For Separable Insulated Connector Systems
- ANSI C119.4: For Electric Connectors
- IEEE Std 592: For Exposed Semiconducting Shields

[®] Exceeds IEEE 386 requirement