

# 15/25/28kV Deadbreak Junctions

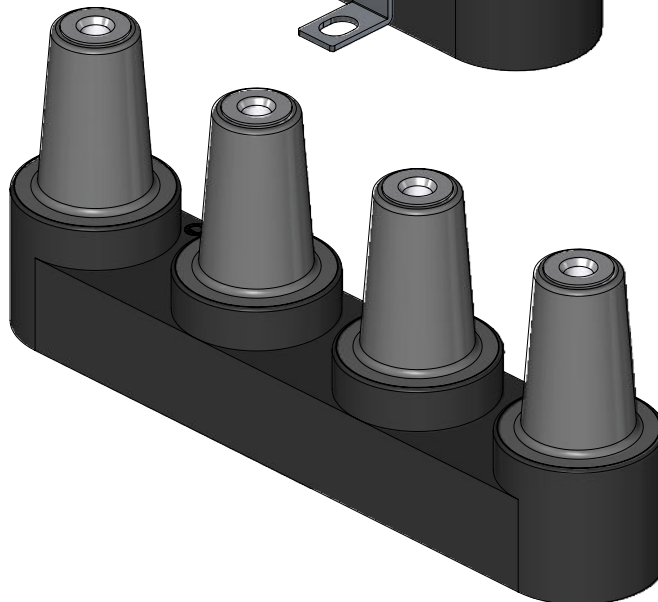
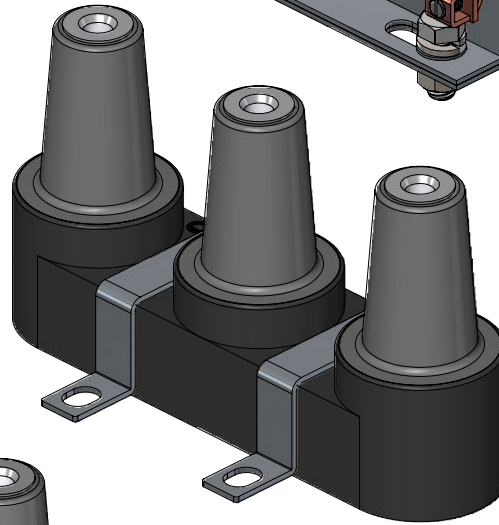
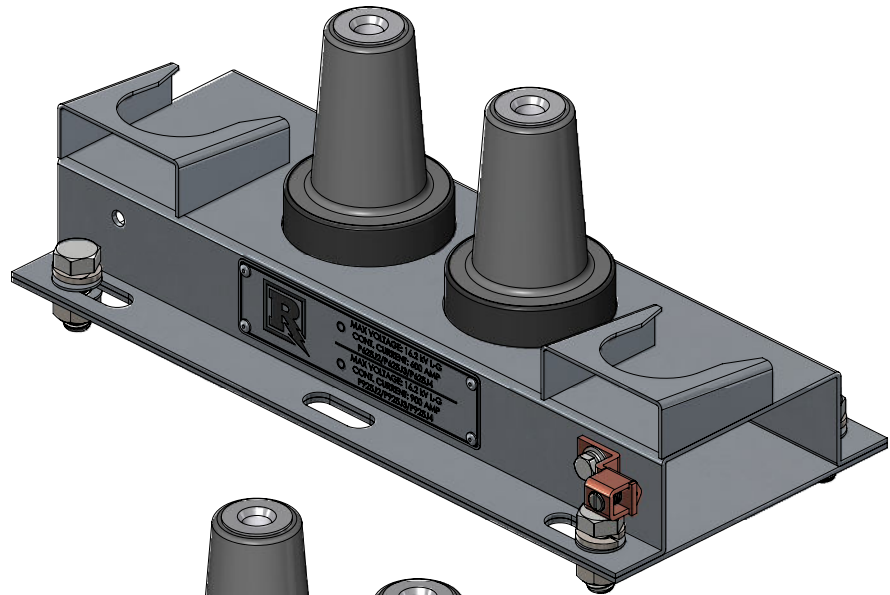
Product Data Sheet

The 15/25kV Deadbreak Junction provides multiple 600 or 900A 15/25kV Deadbreak Bushing interfaces (IEEE 386, Interface 11) connected to a common contact. Junctions are commonly installed in enclosures but also can be mounted directly to an underground structure such as the wall of a vault.

They can be ordered molded with an Aluminum (600A) or a Copper contact (900A). Three configurations are available: 2-Position, 3-Position and 4-Position. Kits are available with U-Straps or Brackets for mounting purposes. Deadbreak Junctions are available with either 4" or 6" spacing between interfaces. For dimensional information, see the last page of this Product Data Sheet.

## Features

- Injection Molded & Peroxide-Cured EPDM
- Fully-Shielded/Deadfront
- Designed, Molded, and Tested in the USA



# 15/25/28kV Deadbreak Junctions

## Installation

15/25kV Deadbreak Junction installation is covered by:  
**RP-II-JX**

## Related Products

### P625HIP-STUD

15/25kV Aluminum Threaded Stud

### P925HIP-STUD

15/25kV Copper Threaded Stud

### 62LCN/62LCT

15/25kV Deabreak Elbow

### 92LCN/92LCT

15/25kV Deabreak Elbow

### P6AL-X

Aluminum Compression Connector

### P9CU-X

Copper Compression Connector

### P7ALCU-X

Copper-Top Compression Connector

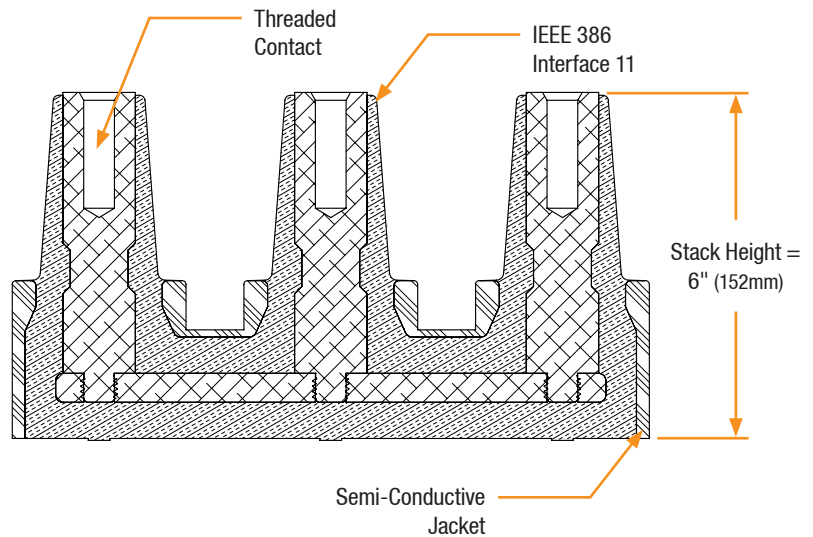
### P625IC

15/25kV Aluminum Insulating Cap

### P925IC

15/25kV Copper Insulating Cap

## Detail View



## Applications



Outdoor



Vaults



Enclosures



Direct Bury



Submersible

## Production Testing

IEEE requires a Partial Discharge test and choice between AC withstand and Impulse.

Richards runs 3/3 tests on **all** Medium Voltage products governed by IEEE 386. <sup>®</sup>

### 100% Routine Electrical Test:

- Partial Discharge
- AC Withstand
- Impulse Withstand

## Product Ratings

### Voltage Ratings

Maximum Voltage Rating – (phase to ground)	15.2kV
Corona Voltage Level – (partial discharge extinction voltage)	22kV <sup>®</sup>
AC Withstand – (1 minute)	42kV <sup>®</sup>
Impulse-Withstand Voltage – (BIL)	162kV BIL <sup>®</sup>

### Continuous Current Ratings

Aluminum	600A
Copper	900A

### Short-Time Current Ratings

Aluminum	25kA, 10c. and 10kA, 3s.
Copper	40kA, 10c. and 10kA, 3s.

The 15/25kV Deadbreak Junction is qualified to the following industry standards:

- IEEE Std 386: For Separable Insulated Connector Systems
- ANSI C119.4: For Electric Connectors
- IEEE Std 592: For Exposed Semiconducting Shields

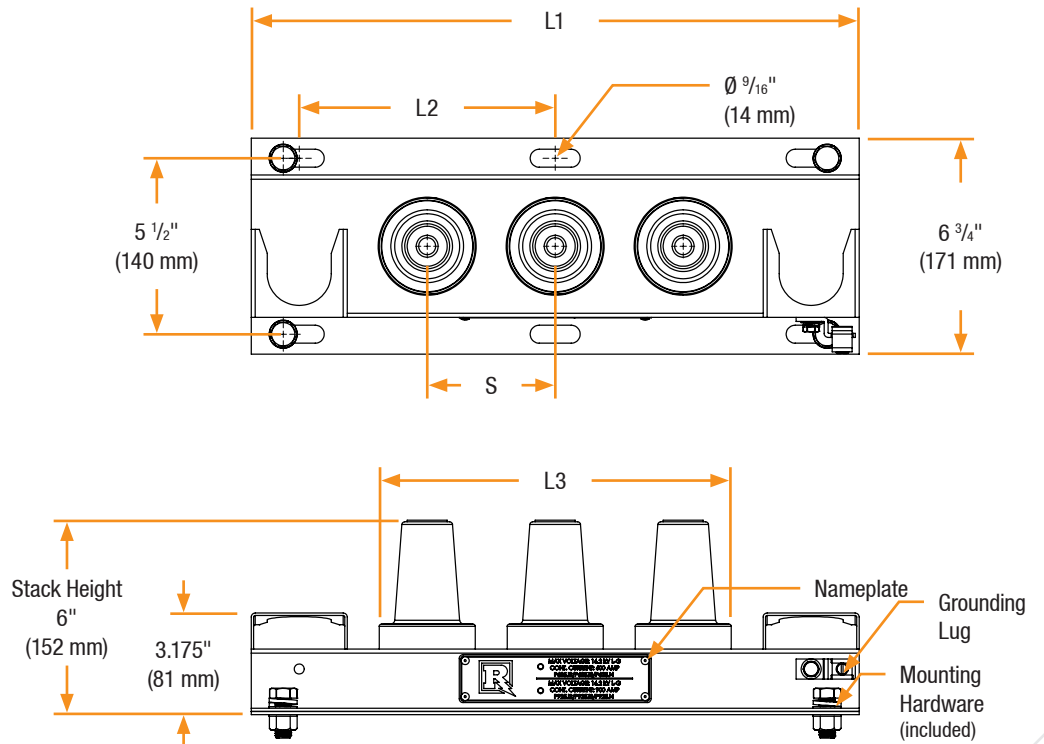
<sup>®</sup> Exceeds IEEE 386 requirement

# 15/25/28kV Deadbreak Junctions

**Dimensional Chart**

# Of Positions	Spacing (S)	L1	L2	L3
2	4"	15"	6"	7"
	6"	21"	9"	9"
3	4"	19"	8"	11"
	6"	27"	12"	15"
4	4"	23"	10"	15"
	6"	33"	15"	21"

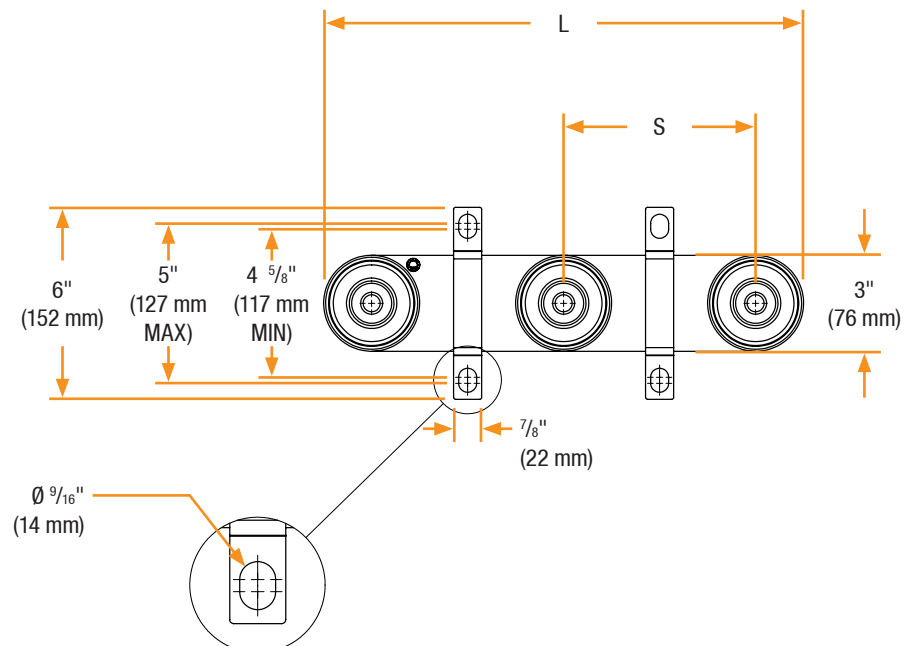
**Junction Dimensions - Bracket**



**Dimensional Chart**

# Of Positions	Spacing (S)	L*
2	4"	7"
	6"	9"
3	4"	11"
	6"	15"
4	4"	15"
	6"	21"

**Junction Dimensions - U Straps**



\* U Straps for 4" spaced Junctions are available with 5" hole to hole spacing. Contact factory for more information.