

15kV Loadbreak Elbow

Product Data Sheet

The Richards 15kV 200A Loadbreak Elbow is a cable accessory that provides a convenient, reliable means of connecting power cables to equipment, switchgear and other accessories. System operators can utilize the stainless steel bail molded into the back of the Elbow to perform loadbreak/loadmake operations with a hot stick.

The Loadbreak Elbow connector system utilizes a tinplated copper probe with an ablative tip designed to quench arcs drawn during loadbreak. The 15kV 200A Loadbreak Elbow has both a phase-to-phase and phase-to-ground rating, as indicated by the white band with black stripe in center located near the cable entrance of the Elbow.



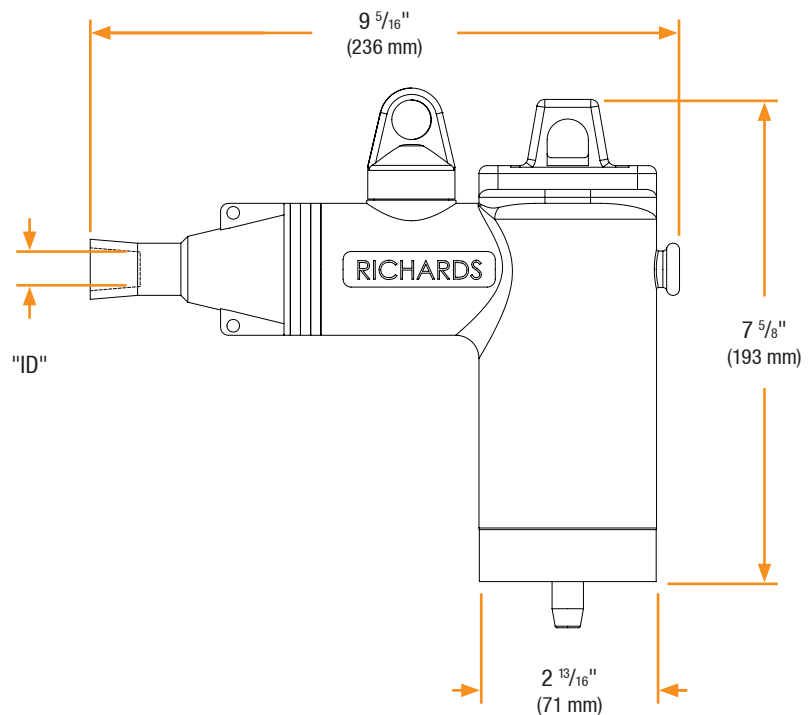
Features

- Fully Shielded/Deadfront
- Optional Capacitive Test Point
- Copper-top or all-copper lug available
- Designed, Molded, and Tested in the USA

Sizing Table

Size	Cable Insulation Diameter	
	Min.	Max.
A	.575 in (15 mm)	.740 in (19 mm)
B	.635 in (16 mm)	.905 in (21 mm)
C	.830 in (21 mm)	1.06 in (27 mm)
D	.930 in (24 mm)	1.22 in (31 mm)

Basic Dimensions



15kV Loadbreak Elbow

Installation

15kV Loadbreak Elbow installation is covered by:
RP-II-21LBNT

Related Products

21LBI

15kV Loadbreak Bushing Insert

P615ETP

15kV Loadbreak Elbow Tap Plug

P625ETP

25kV Loadbreak Elbow Tap Plug

618 SERIES

15kV R-800 - all types

628 SERIES

25kV R-800 - all types

61CS8 SERIES

15kV Cold Shrink R-800 - all types

62CS8 SERIES

25kV Cold Shrink R-800 - all types

P2ALCU-X

200A Copper-Top Lug

P2CU-X

200A Copper Lug

Production Testing

IEEE requires a Partial Discharge test and choice between AC withstand and Impulse.

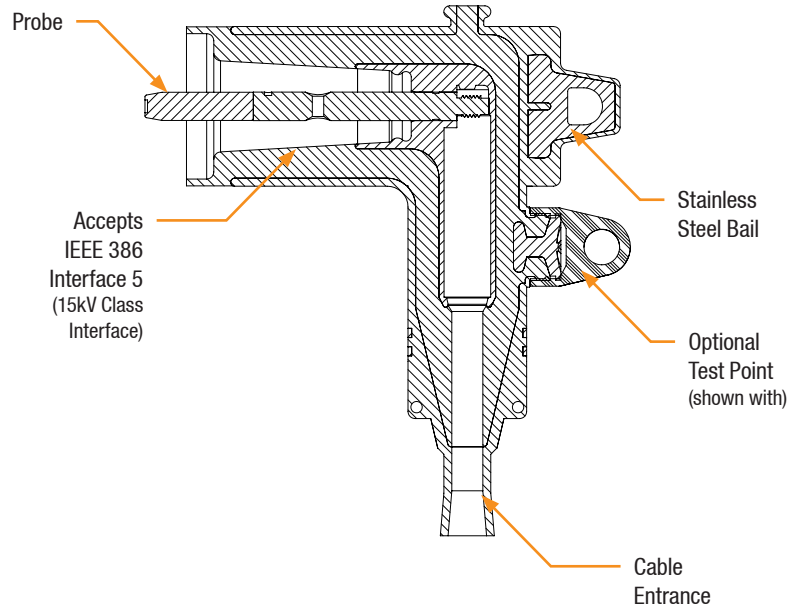
Richards runs 3/3 tests on **all** Medium Voltage products governed by IEEE 386.[®]

100% Routine Electrical Test:

- Partial Discharge
- AC Withstand
- Impulse Withstand

[®] Exceeds IEEE 386 requirement

Detail View



Product Ratings

Voltage Ratings	
Maximum Voltage Rating – (phase to ground)	8.3/14.4 kV
Corona Voltage Level – (partial discharge extinction voltage)	11kV
AC Withstand – (1 minute)	34kV
Impulse-Withstand Voltage – (BIL)	95kV

Continuous Current Ratings	
Copper-top	200A
Copper	

Short-Time Current Ratings	
Copper-top	10 kA, 10c. and 3.5 kA, 3s.
Copper	

The 15kV Loadbreak Elbow is qualified to the following industry standards:

- IEEE Std 386: For Separable Insulated Connector Systems
- IEEE Std 592: For Exposed Semiconducting Shields