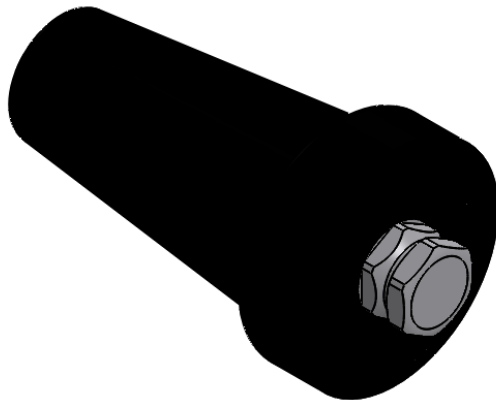
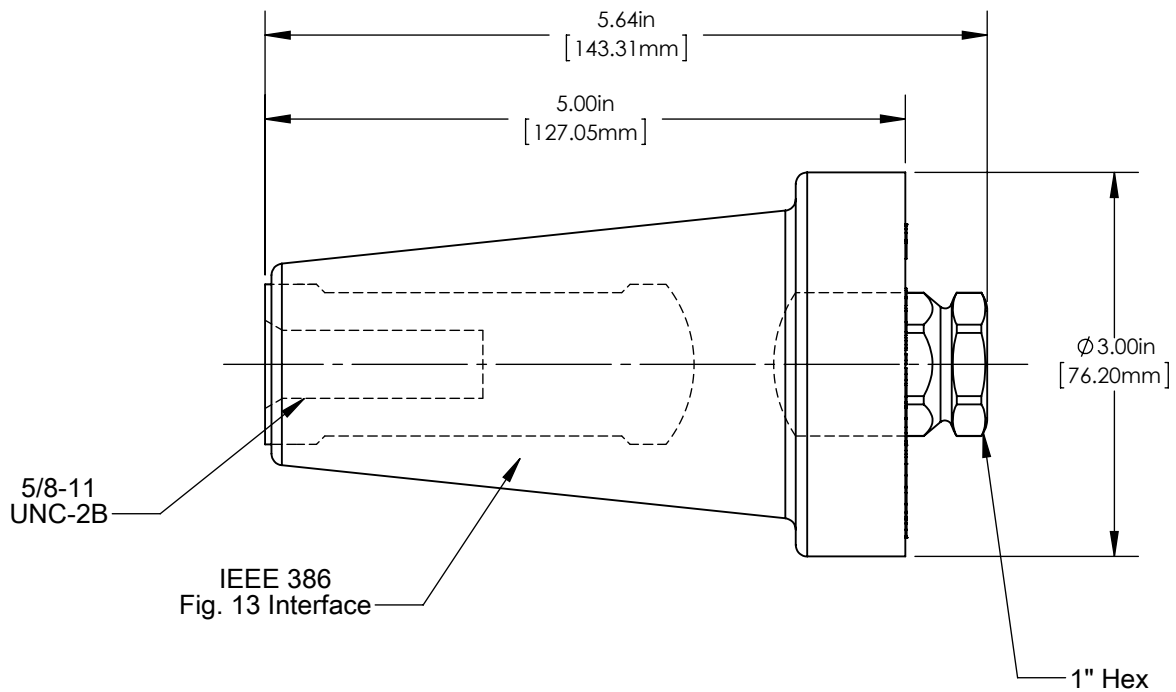


Product Specifications

35 kV 900A Deadbreak Insulating Plug



Richards 35 kV 900A Deadbreak Insulating Plug (P935HIP) provides a means for shielding, sealing and insulating 900A deadbreak interfaces (IEEE 386, Fig. 13).

Add -LS to include loose stud (P935HIP-LS)
Add -S to include factory installed stud (P935HIP-S)

Product Ratings

Operating Voltage	21.1kV
Impulse Withstand	150 kV BIL
AC Withstand	50 kV
DC Withstand	103 kV
Partial Discharge	26 kV CEV

Richards 35 kV 900A Deadbreak Insulating Plug (P935HIP) was designed and validated against the following industry standards:

- ANSI/IEEE Std. 386: For Separable Insulated Connector Systems