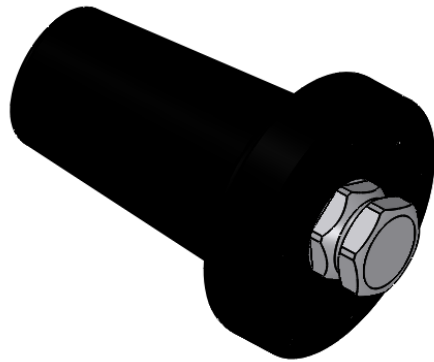
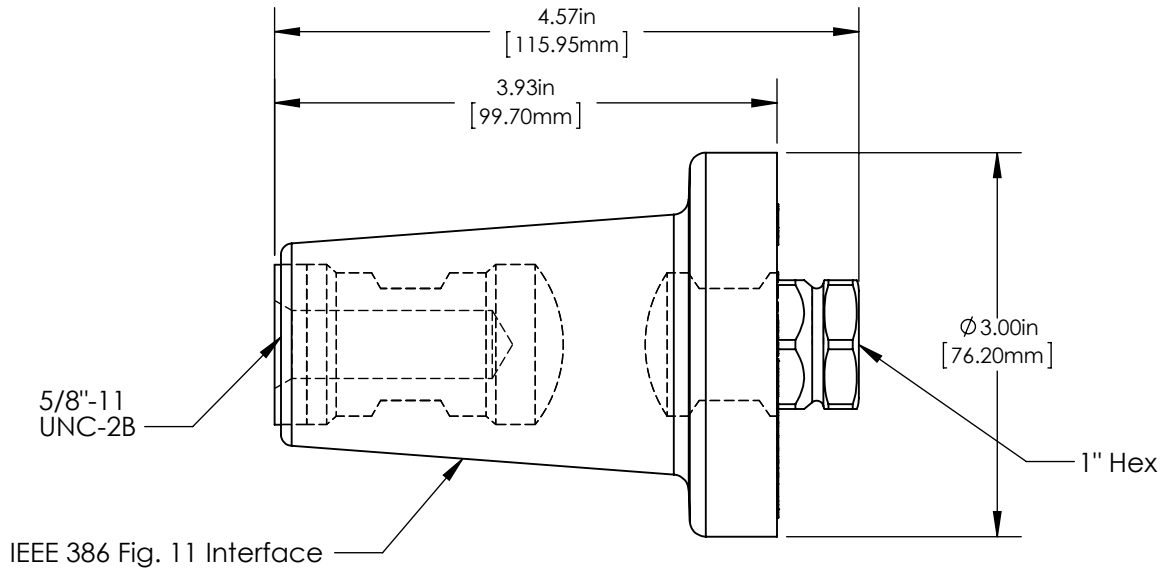


# Product Specifications

## 15/25/28 kV 900A Deadbreak Insulating Plug



Richards 15/25/28 kV 900A Deadbreak Insulating Plug (P925HIP) provides a means for shielding, sealing, and insulating 900A deadbreak interfaces (IEEE 386 Fig. 11).

### Product Ratings

Operating Voltage	16.2 kV 28 kV L-L
Impulse Withstand	162 kV BIL
AC Withstand	45 kV
DC Withstand	84 kV
Partial Discharge	22 kV CEV

Richards 15/25/28 kV 600A Deadbreak Insulating Plug (P625HIP) was designed and validated against the following industry standards:

- ANSI/IEEE Std. 386: For Separable Insulated Connector Systems

Add -LS to include loose stud (P925HIP-LS)  
Add -S to include factory installed stud (P925HIP-S)