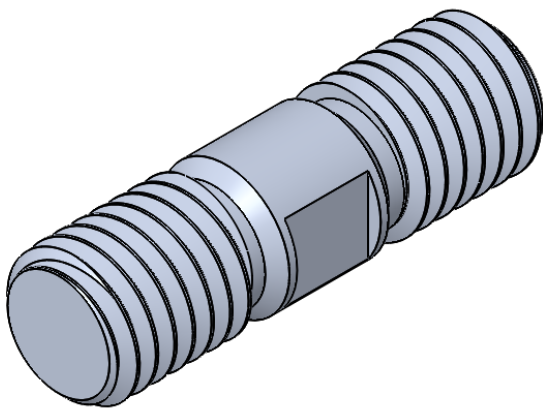
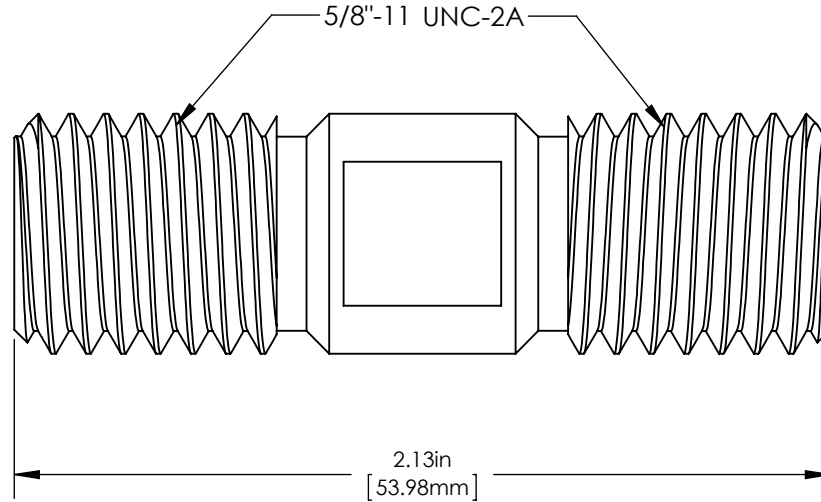


Product Specifications

15/25kV Copper Stud



Richards 15/25kV Copper Stud is used to thread together two 15/25kV 600A deadbreak interfaces (IEEE 386 Fig. 11).

The stud threads are 5/8"-11 UNC-2A and meet the dimensional requirements of IEEE 386.