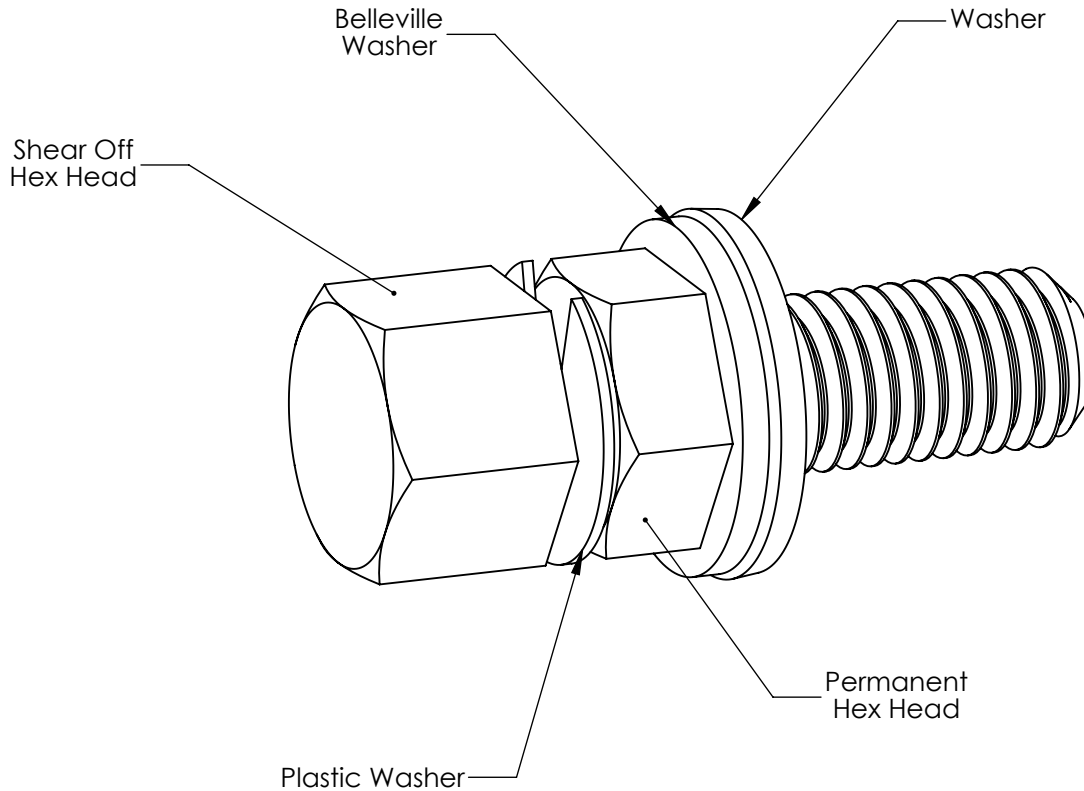


Product Specifications

Barrier Bolt Joint Pre-Pack



Richards Barrier Bolt Joint Pre-Pack (P6JPB) includes a shear head bolt and two washers for connecting cable assemblies to a disconnectable joint bus.

The barrier bolt prevents assembly of the joint until the proper torque is applied for a robust connection. After installation, the permanent hex head remains on the bolt for easy disconnectability.