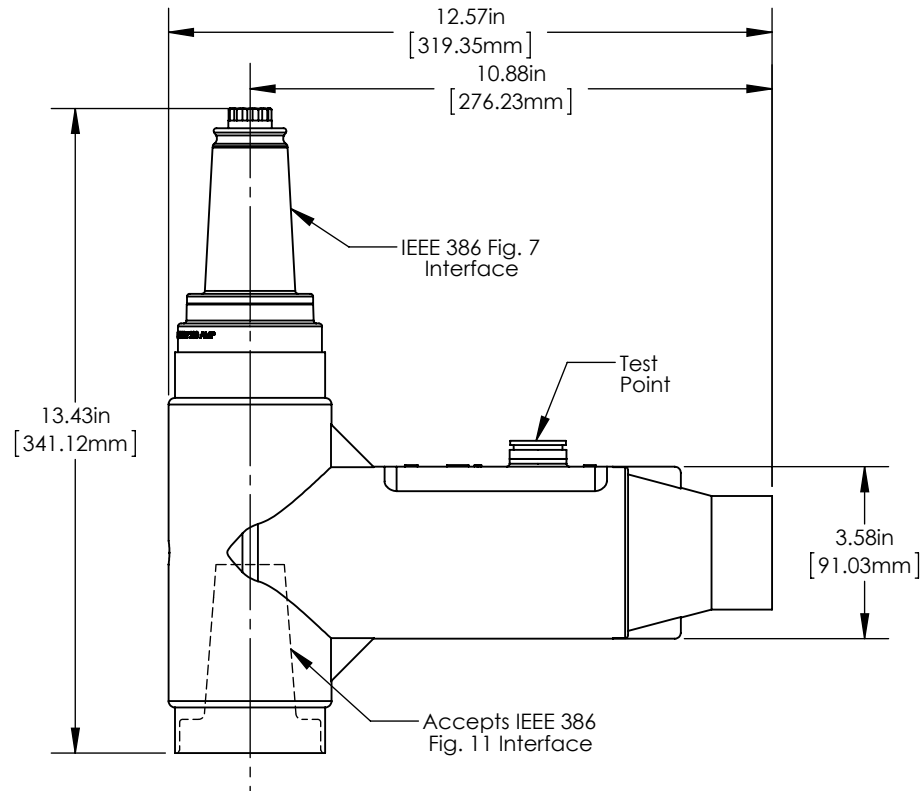


# Product Specifications

## 25/28kV R-800, Female



### Product Ratings

Operating Voltage	16.2kV 28kV L-L
Impulse Withstand	140kV BIL
AC Withstand	45kV
DC Withstand	84kV
Partial Discharge	22kV CEV

Richards 25/28kV R-800 (628FT) is a 15/25kV 600A elbow with a 25kV 200A loadbreak tap molded into the body. This combination design reduces the number of components, time, and effort required for installation.

The R-800 female version is fully shielded and features a female fastener and dtud for assembly to the bushing.

Richards 25/28kV R-800 Female (628FT) was designed and validated against the following industry standards:

- ANSI/IEEE Std. 386: For Separable Insulated Connector Systems
- ANSI C119.4: For Electric Connectors
- IEEE Std. 592: For Exposed Semiconducting Shields

Switching & Fault Close Testing to 25kV Levels