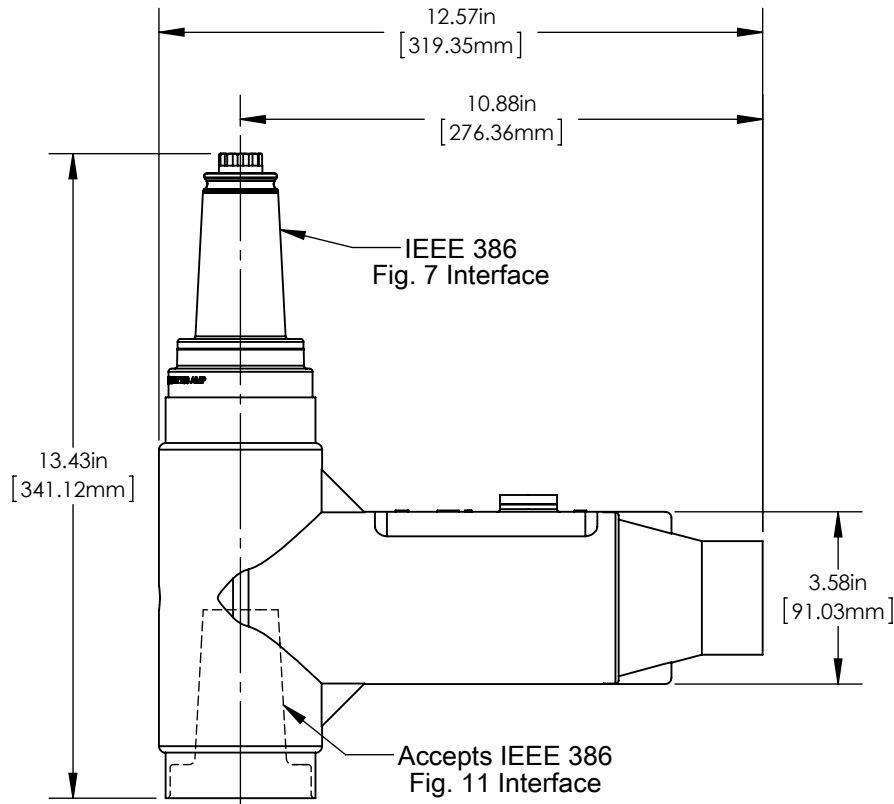


Product Specifications

25/28 kV R-800 Female



Richards 25/28 kV R-800 (628FN) is a 15/25kV 600A elbow with a 25kV 200A loadbreak tap molded into the body. This combination design reduces the number of components, time, and effort required for installation.

The R800 female version is fully shielded and features a female fastener and stud for assembly to the bushing.

Product Ratings

Operating Voltage	16.2 kV 28 kV L-L
Impulse Withstand	140 kV BIL
AC Withstand	45 kV
DC Withstand	84 kV
Partial Discharge	22 kV CEV

Richards 25/28kV R-800 Female (628FN) was designed and validated against the following industry standards:

- ANSI/IEEE Std. 386: For Separable Insulated Connector Systems
- ANSI C119.4: For Electric Connectors
- IEEE Std. 592: For Exposed Semiconducting Shields

Switching & Fault Close Testing to 25 kV Levels