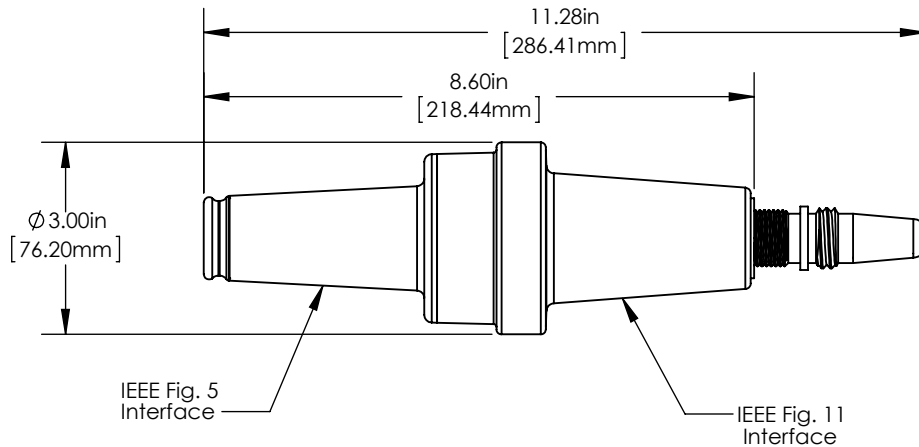


Product Specifications

15kV Loadbreak Reducing Tap Plug



Product Ratings

Operating Voltage	8.3kV 14.4kV
Impulse Withstand	95kV BIL
AC Withstand	34kV
DC Withstand	53kV
Partial Discharge	11kV CEV

Richards 15kV Loadbreak Reducing Tap Plug (P615LRTP) converts a 15/25kV 600A deadbreak interface (IEEE 386 Fig. 11) to a 15kV 200A loadbreak interface (IEEE 386 Fig. 5) for use with a loadbreak elbow or cap.

The LRTP has a 15/16"-9 threaded nose for installation into a similarly threaded lug. The joined elbow & plug assembly can then be safely operated with a hotstick.

Richards () was designed and validated against the following industry standards:

- ANSI/IEEE Std. 386: For Separable Insulated Connector Systems
- ANSI C119.4: For Electric Connectors
- IEEE Std. 592: For Exposed Semiconducting Shields