

Split Tinned Connectors

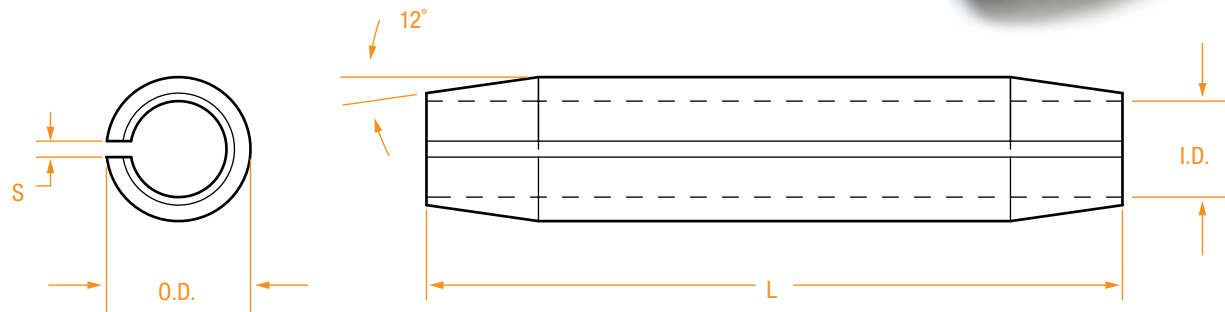


SPLIT TINNED CONNECTORS	SERIES	PAGE
Split Tinned Straight Connectors	RSS Series	65
Split Tinned Concentric Reducing Connectors	CR Series	66
Split Tinned Branch Connectors – Full Duplex	FD Series	67
Split Tinned Branch Connectors – Half Duplex	HD Series	68
Split Tinned Tee Connectors	ST Series	69
Lead Splicing Sleeves	LS Series	70

SPLIT TINNED STRAIGHT CONNECTORS

RSS Series

- Made of pure copper.
- Tin-plated to resist corrosion.
- Fabricated in accordance with EEI specifications.



PART NUMBER*	WIRE SIZE	DIMENSIONS IN INCHES			
		L	S	I.D.	O.D.
RSS3	#6	1.5	0.030	0.189	0.251
RSS5	#4	2.0	0.030	0.237	0.315
RSS7	#2	2.0	0.030	0.297	0.395
RSS8	#1	2.0	0.070	0.337	0.449
RSS9	1/0	2.0	0.070	0.378	0.504
RSS10	2/0	2.0	0.070	0.423	0.565
RSS11	3/0	2.0	0.070	0.475	0.635
RSS12	4/0	2.5	0.070	0.533	0.713
RSS13	250	2.5	0.120	0.581	0.778
RSS14	300	2.5	0.120	0.635	0.849
RSS15	350	2.5	0.120	0.690	0.920
RSS16	400	3.0	0.120	0.740	0.986
RSS17	450	3.0	0.120	0.784	1.046
RSS18	500	3.0	0.120	0.826	1.102
RSS19	550	3.0	0.175	0.868	1.154

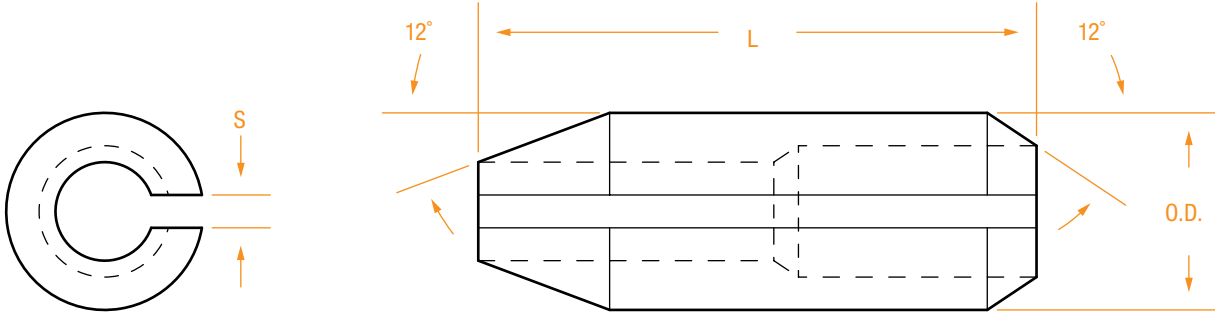
PART NUMBER*	WIRE SIZE	DIMENSIONS IN INCHES			
		L	S	I.D.	O.D.
RSS20	600	3.5	0.175	0.906	1.206
RSS21	650	3.5	0.175	0.948	1.260
RSS22	700	3.5	0.175	0.983	1.307
RSS23	750	3.5	0.175	1.018	1.356
RSS24	800	4.0	0.175	1.050	1.400
RSS25	850	4.0	0.220	1.083	1.441
RSS26	900	4.0	0.220	1.115	1.483
RSS27	950	4.0	0.220	1.145	1.525
RSS28	1,000	4.5	0.220	1.175	1.565
RSS29	1,250	4.5	0.220	1.320	1.754
RSS30	1,500	5.0	0.280	1.440	1.912
RSS31	1,750	5.5	0.280	1.560	2.074
RSS32	2,000	6.0	0.280	1.664	2.214
RSS33	2,500	6.5	0.280	1.885	2.455

* For "weak back" connectors, add "-WB" to the part number.

SPLIT TINNED CONCENTRIC REDUCING CONNECTORS

CR Series

- Made of pure copper.
- Tin-plated to resist corrosion.
- Fabricated in accordance with EEI specifications.
- The larger wire size dictates the price of the connector.
- When ordering, specify a second wire size after the part number shown below.
- 12° taper.



PART NUMBER*	LARGE WIRE SIZE	DIMENSIONS IN INCHES		
		L	S	O.D.
CR3	#6	1.5	0.030	0.251
CR4	#5	1.5	0.030	0.295
CR5	#4	2.0	0.030	0.315
CR6	#3	2.0	0.030	0.353
CR7	#2	2.0	0.030	0.395
CR8	#1	2.0	0.070	0.449
CR9	1/0	2.0	0.070	0.504
CR10	2/0	2.0	0.070	0.565
CR11	3/0	2.0	0.070	0.635
CR12	4/0	2.5	0.070	0.713
CR13	250	2.5	0.120	0.778
CR14	300	2.5	0.120	0.849
CR15	350	2.5	0.120	0.920
CR16	400	3.0	0.120	0.986
CR17	450	3.0	0.120	1.046

PART NUMBER*	LARGE WIRE SIZE	DIMENSIONS IN INCHES		
		L	S	O.D.
CR18	500	3.0	0.120	1.102
CR19	550	3.0	0.175	1.154
CR20	600	3.5	0.175	1.206
CR21	650	3.5	0.175	1.260
CR22	700	3.5	0.175	1.307
CR23	750	3.5	0.175	1.356
CR24	800	4.0	0.175	1.400
CR26	900	4.0	0.220	1.483
CR28	1,000	4.5	0.220	1.565
CR29	1,250	4.5	0.220	1.754
CR30	1,500	5.0	0.280	1.912
CR31	1,750	5.5	0.280	2.074
CR32	2,000	6.0	0.280	2.214
CR33	2,500	6.5	0.280	2.455

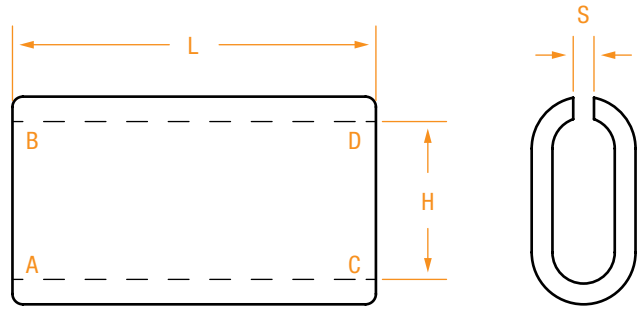
FOR OTHER SIZES, CONTACT YOUR SALES REPRESENTATIVE OR THE FACTORY.

* Add second wire size to the part number when ordering (example: CR23-18 is a concentric reducer for 750 to 500 mcm copper cables).

SPLIT TINNED BRANCH CONNECTORS – FULL DUPLEX

FD Series

- Available in any combination of wire sizes.
- Made of pure copper.
- Tin-plated to resist corrosion.
- Fabricated in accordance with EEI specifications.
- Price is governed by the largest wire size.
- When ordering, specify sizes as A & B to C & D.



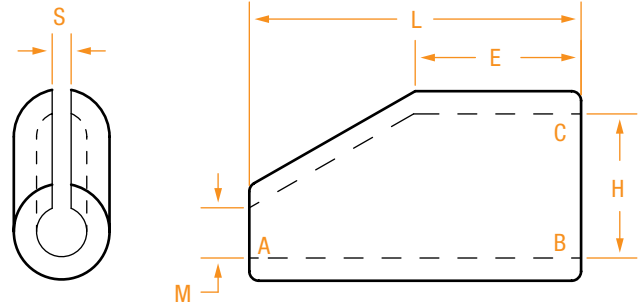
PART NUMBER	WIRE SIZE	DIMENSIONS IN INCHES		
		L	H	S
FD3	#6	1.5	0.378	0.050
FD5	#4	2.0	0.474	0.070
FD6	#3	2.0	0.530	0.070
FD7	#2	2.0	0.594	0.070
FD8	#1	2.0	0.647	0.070
FD9	1/0	2.0	0.756	0.070
FD10	2/0	2.0	0.846	0.070
FD11	3/0	2.0	0.950	0.070
FD12	4/0	2.5	1.066	0.120
FD13	250	2.5	1.162	0.120
FD14	300	2.5	1.270	0.120
FD15	350	2.5	1.380	0.120
FD16	400	3.0	1.480	0.175
FD17	450	3.0	1.560	0.175
FD18	500	3.0	1.652	0.175
FD19	550	3.0	1.736	0.175
FD20	600	3.5	1.812	0.175
FD21	650	3.5	1.896	0.175

FOR OTHER SIZES, CONTACT YOUR SALES REPRESENTATIVE OR THE FACTORY.

SPLIT TINNED BRANCH CONNECTORS – HALF DUPLEX

HD Series

- Available in any combination of wire sizes.
- Made of pure copper.
- Tin-plated to resist corrosion.
- Fabricated in accordance with EEI specifications.
- Price is governed by the largest wire size.
- When ordering, specify sizes A and B & C.



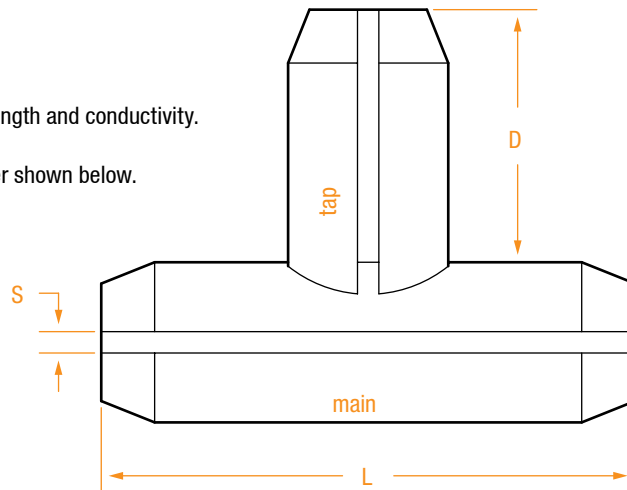
PART NUMBER	WIRE SIZE	DIMENSIONS IN INCHES				
		M	H	E	L	S
HD3	#6	0.189	0.378	0.75	1.5	0.050
HD5	#4	0.237	0.474	1.00	2.0	0.070
HD6	#3	0.265	0.530	1.00	2.0	0.070
HD7	#2	0.297	0.594	1.00	2.0	0.070
HD8	#1	0.337	0.674	1.00	2.0	0.070
HD9	1/0	0.378	0.756	1.00	2.0	0.070
HD10	2/0	0.423	0.846	1.00	2.0	0.070
HD11	3/0	0.475	0.950	1.00	2.0	0.070
HD12	4/0	0.533	1.066	1.25	2.5	0.120
HD13	250	0.581	1.162	1.25	2.5	0.120
HD14	300	0.635	1.270	1.25	2.5	0.120
HD15	350	0.690	1.380	1.25	2.5	0.120
HD16	400	0.740	1.480	1.50	3.0	0.175
HD17	450	0.784	1.568	1.50	3.0	0.175
HD18	500	0.826	1.652	1.50	3.0	0.175
HD19	550	0.868	1.736	1.50	3.0	0.175
HD20	600	0.906	1.812	1.75	3.5	0.175
HD21	650	0.948	1.896	1.75	3.5	0.175
HD23	750	1.018	2.036	1.75	3.5	0.220
HD24	800	1.052	2.104	2.00	4.0	0.220
HD25	850	1.083	2.166	2.00	4.0	0.220
HD28	1000	1.2	2.32	2.35	4.5	0.150
HD32	2000	1.7	3.4	3.2	6.0	0.260

FOR OTHER SIZES, CONTACT YOUR SALES REPRESENTATIVE OR THE FACTORY.

SPLIT TINNED TEE CONNECTORS

ST Series

- Available in any combination of wire sizes.
- Made of pure copper.
- Tin-plated to resist corrosion.
- Silver solder is used as a brazing material for mechanical strength and conductivity.
- The larger wire size dictates the price of the connector.
- When ordering, specify a “tap” wire size after the part number shown below.
- Fabricated in accordance with EEL specifications.



PART NUMBER	WIRE (MAIN)	DIMENSIONS IN INCHES		
		L	D	S
ST1	#10	1.5	3/4	0.030
ST2	#8	1.5	3/4	0.030
ST3	#6	1.5	3/4	0.030
ST5	#4	2.0	1	0.030
ST6	#3	2.0	1	0.030
ST7	#2	2.0	1	0.030
ST8	#1	2.0	1	0.070
ST9	1/0	2.0	1	0.070
ST10	2/0	2.0	1	0.070
ST11	3/0	2.0	1	0.070
ST12	4/0	2.5	1-1/4	0.070
ST13	250	2.5	1-1/4	0.120
ST14	300	2.5	1-1/4	0.120
ST15	350	2.5	1-1/4	0.120
ST16	400	3.0	1-1/2	0.120

PART NUMBER	WIRE (MAIN)	DIMENSIONS IN INCHES		
		L	D	S
ST17	450	3.0	1-1/2	0.120
ST18	500	3.0	1-1/2	0.120
ST19	550	3.0	1-1/2	0.175
ST20	600	3.5	1-3/4	0.175
ST21	650	3.5	1-3/4	0.175
ST22	700	3.5	1-3/4	0.175
ST23	750	3.5	1-3/4	0.175
ST24	800	4.0	2	0.175
ST26	900	4.0	2	0.220
ST28	1,000	4.5	2-1/4	0.220
ST29	1,250	4.5	2-1/4	0.220
ST30	1,500	5.0	2-1/2	0.280
ST31	1,750	5.5	2-3/4	0.280
ST32	2,000	6.0	3	0.280
ST33	2,500	6.5	3-1/4	0.280

FOR OTHER SIZES, CONTACT YOUR SALES REPRESENTATIVE OR THE FACTORY.

LEAD SPLICING SLEEVES

LS Series

- Used in conjunction with split tinned connectors when splicing PILC cable.
- Bridges lead neutral.
- When ordering, specify length (L), inside diameter (ID) and thickness (T)

INSIDE DIAMETER (ID)	THICKNESS (T)
2.00"	.125"
2.50"	.125"
2.50"	.150"
3.00"	.125"
3.50"	.150"
4.00"	.200"
4.50"	.200"
6.00"	.200"

FOR OTHER SIZES, CONTACT YOUR SALES REPRESENTATIVE OR THE FACTORY.