

# Rubber Products



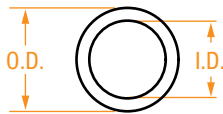
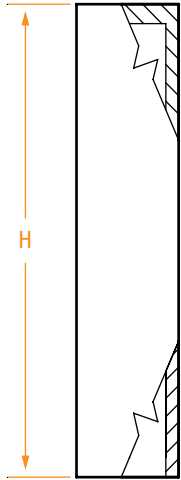
RUBBER PRODUCTS	SERIES	PAGE
Cable End Caps .....	CCAP Series .....	153
Insulated Connector Covers .....	.348 Series .....	154
Wildlife Protectors – Plastic .....	.RWP Series .....	155
Wildlife Protectors – Rubber .....	.BG Series .....	156



# CABLE END CAPS

CCAP Series

- Made of ethylene propylene rubber.
- Available in several different sizes.



PART NUMBER *	CABLE SIZE	DIMENSIONS IN INCHES		
		H	OD	ID
CCAP348382	1/0	4-1/2	1	0.60
CCAP348300-B *	3/0	4-1/2	1-3/4	1.1875
CCAP4/0	4/0	2-1/2	1-1/4	.75
CCAP350	350	2-1/2	1-3/8	1
CCAP500	500	2-1/2	1-1/2	1.125
CCAP348383-B**	500	4-1/4	2	1
CCAP750	750	2-1/2	1-3/4	1.375
CCAP348301-B*	750	5-1/2	2-5/16	1.825

FOR OTHER SIZES, CONTACT YOUR SALES REPRESENTATIVE OR THE FACTORY.

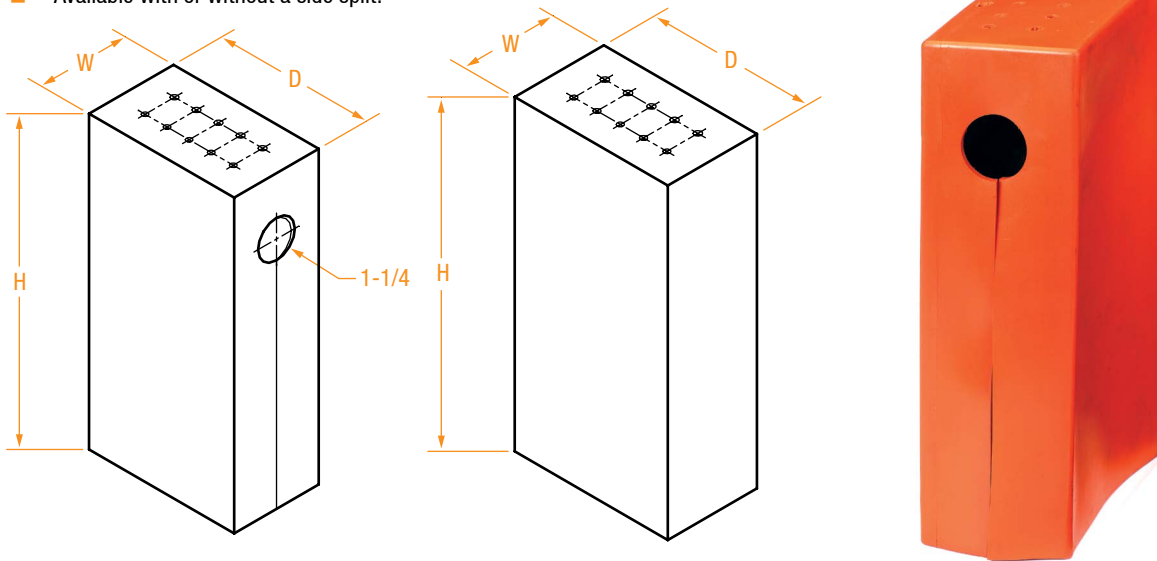
\* "-B" indicates that the Cable End Cap comes with a tightening band for easy installation.

\*\* Made for 4kV, marked "4kV DEAD AS ALIVE."

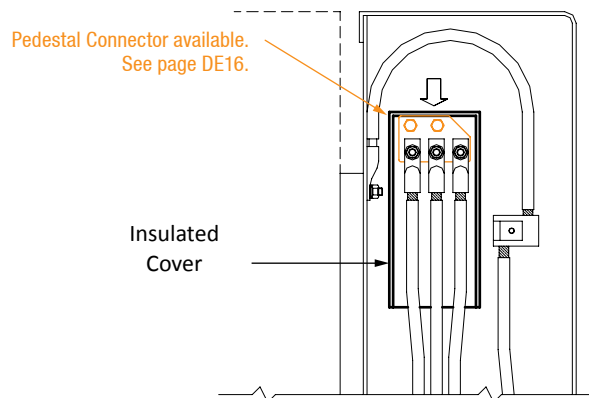
# INSULATED CONNECTOR COVERS

348 Series

- Made from weather-resistant vinyl.
- Insulates and protects electrical connections.
- Available with or without a side split.



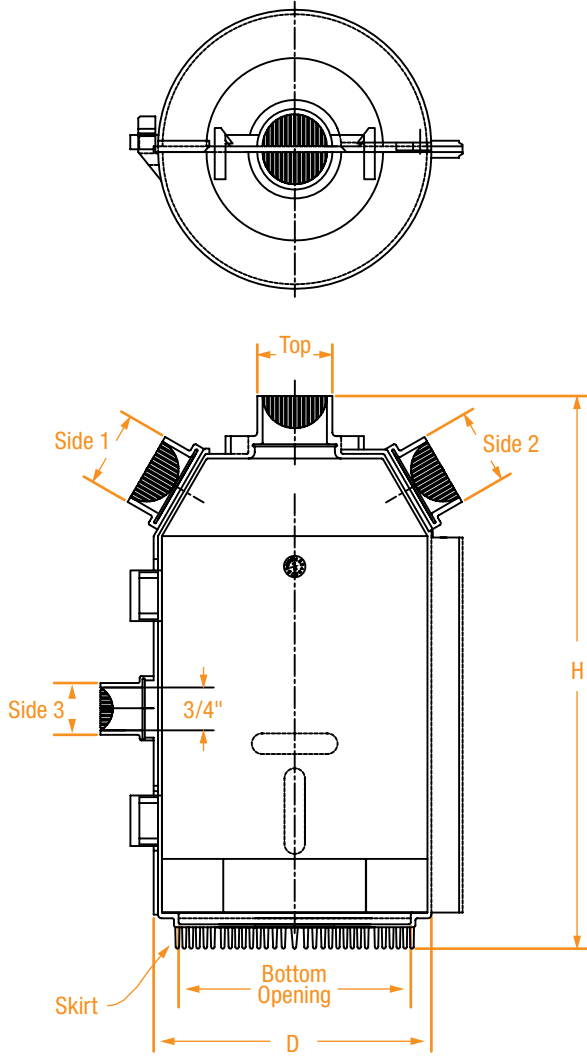
PART NUMBER	SIDE STYLE	DIMENSIONS IN INCHES		
		H	W	D
348458	Seamless	10	5	3
348311	Split	10	5	3



# WILDLIFE PROTECTORS – PLASTIC

RWP Series

- Protects against accidental contact between wildlife and equipment bushings.
- Track resistant per ASTM D 2303-97 standard test methods for liquid-contaminant, inclined-plane tracking and erosion of insulating materials.
- Side and top snaps provide secure closure.
- Knock outs on both sides for lightning arresters.



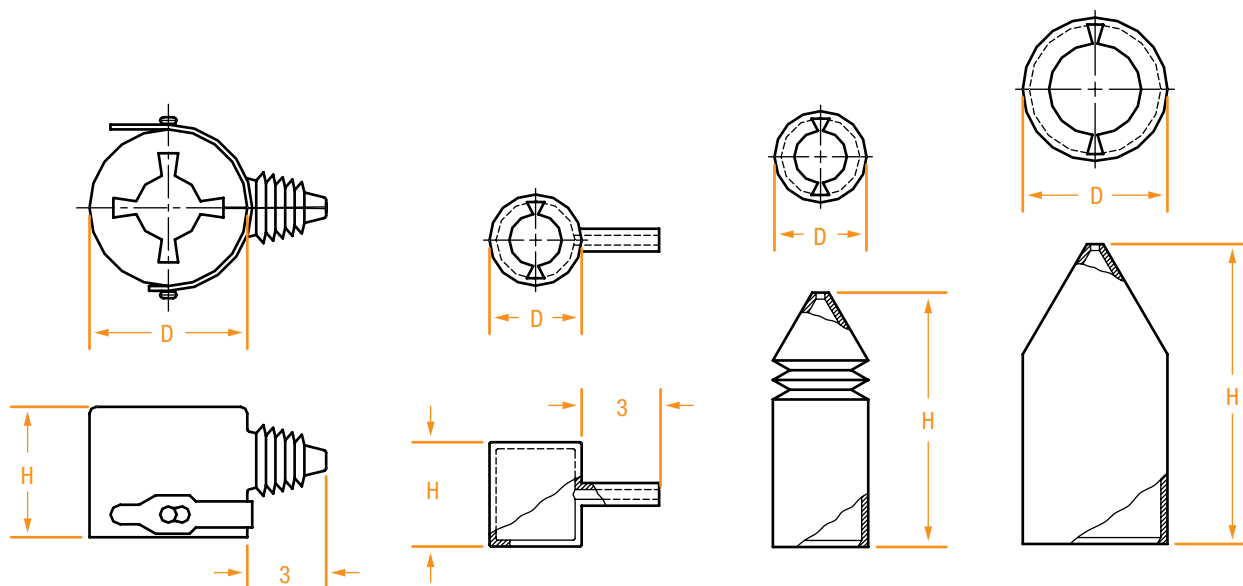
PART NUMBER	DIMENSIONS IN INCHES		# OF CABLE PORTS	SIZE OF CABLE PORTS				
	H	D		TOP	SIDE 1	SIDE 2	SIDE 3	BOTTOM
RWP2	9	4-3/4	3	3/4	3/4	3/4	-	2-1/2
RWP3*	9-1/2	4-3/4	4	1-1/8	1-1/8	1-1/8	3/4	2-1/2
RWP4*	9-1/2	4-3/4	4	1-5/16	1-5/16	1-5/16	15/16	2-1/2
RWP5	7	4-3/4	4	1-5/16	1-5/16	1-5/16	15/16	2-1/2

\* Comes with a "skirt" at the bottom and a rubber insert to firmly grip bushing.

# WILDLIFE PROTECTORS – RUBBER

BG Series

- Used on transformers, reclosers and potheads.
- Made of ethylene propylene rubber.
- Highly resistant to ozone and ultraviolet light deterioration.
- Track resistant.
- Easy Installation.
- 20+ year life expectancy.
- Available slit for “HOT” installations.



PART NUMBER	FIGURE	DIMENSIONS IN INCHES	
		H	D
BG30-EN*	1	4 7/8	5 7/8
BG554-5678*	2	4	3-1/2
BG13-8-18	2	5-1/2	4-1/4
BG30-S*	3	4	3-1/2
BG30	3	9-3/4	3-1/2
BG30-414	4	11-1/2	5-1/2
BG30-12	4	11-3/4	4-3/8
BG-RS0218	4	14-1/2	6

\* Wildlife protector slit for “HOT” installations.

