

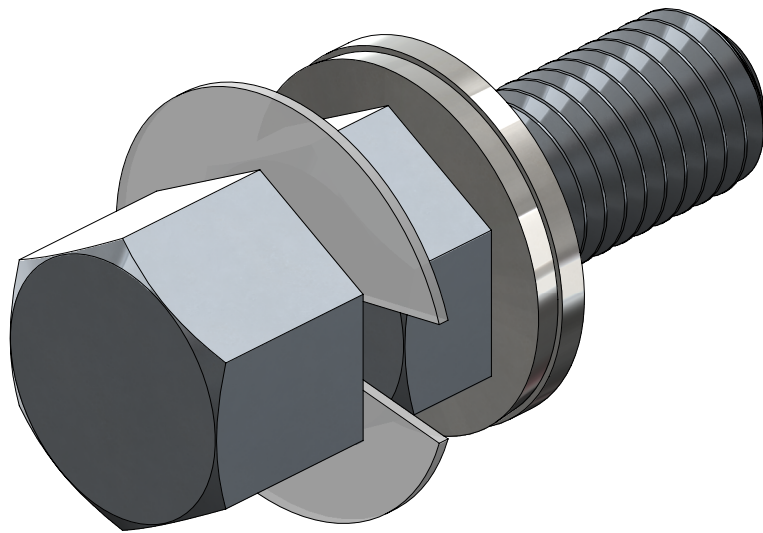
Barrier Bolt Joint Pre-Pack

Product Data Sheet

Richards Barrier Bolt Joint Pre-Pack includes a shear head bolt and two washers for connecting cable assemblies to a disconnectable joint bus.

The barrier bolt prevents assembly of the joint until the proper torque is applied for a robust connection. After installation, the permanent hex head remains on the bolt for easy disconnectability.

P6JPB-1 (supplied with a vent rod) is for use with JS Series standard sleeves and P6JPB-2 (no vent rod) is for use with JSCS Series cold shrink sleeves.



Features

- Prevents assembly of sleeve until proper torque is achieved
- Designed to shear at 50-60 ft-lbs - no need for a torque wrench
- Easy removal and disconnectability

Basic Dimensions

