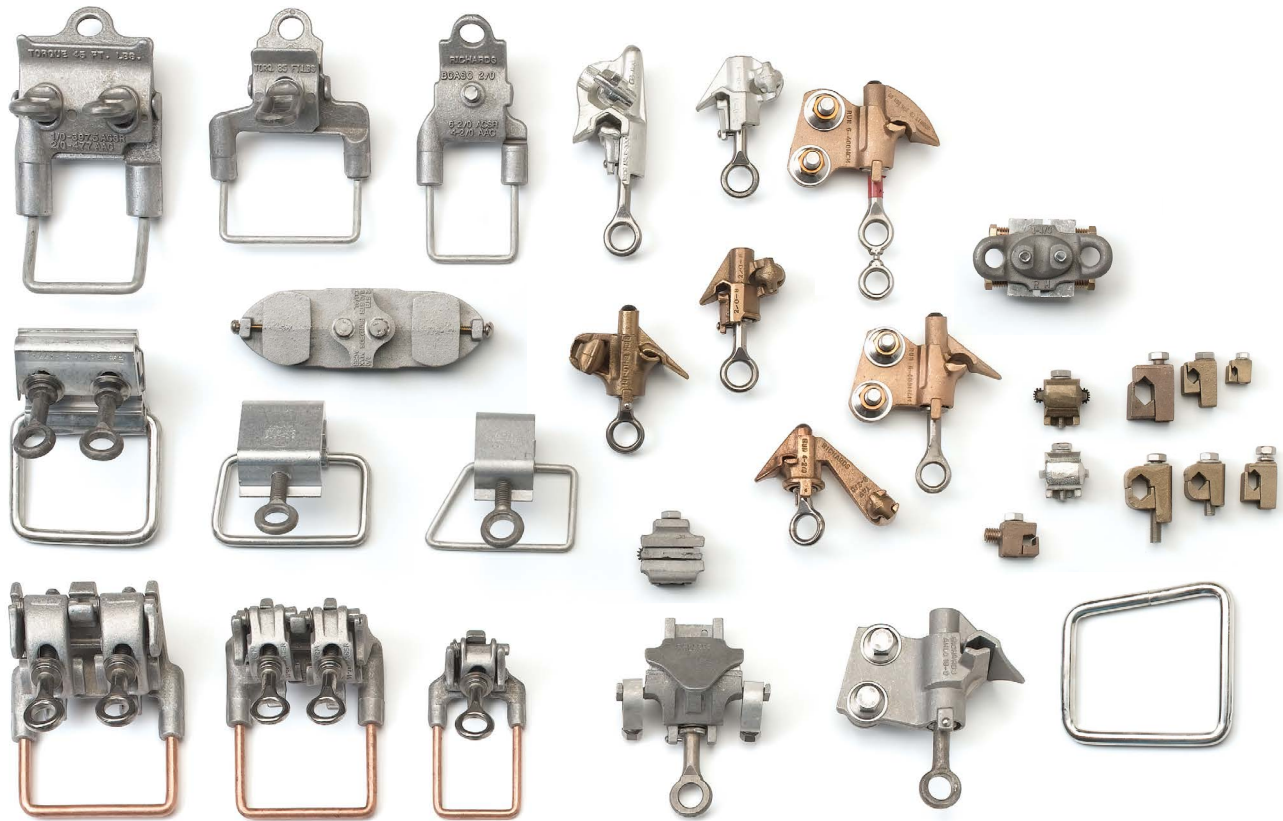


# Distribution Equipment



## DISTRIBUTION EQUIPMENT

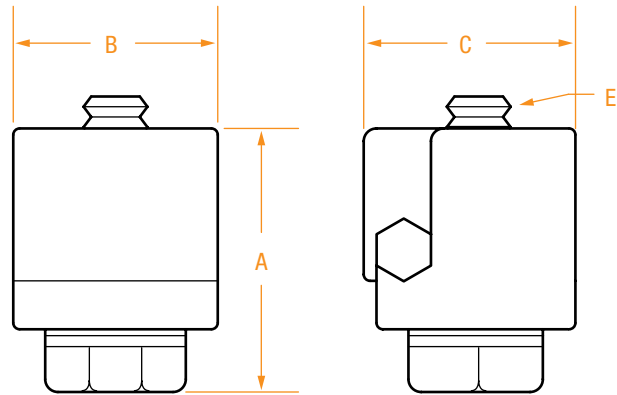
	SERIES	PAGE
Bronze Vise Connectors – Jaws Overlap . . . . .	VC Series . . . . .	73
Aluminum Hot-Line Clamps . . . . .	AHLC Series . . . . .	74
Bronze Hot-Line Clamps . . . . .	BHLC Series . . . . .	75
Aluminum Hot-Line Clamps . . . . .	AHLC-397 Series . . . . .	76
Aluminum Parallel Clamps With Plastic Covers . . . . .	APC Series . . . . .	77
Aluminum & Bronze Stirrup Connectors . . . . .	ASC & BSC Series . . . . .	78
Aluminum Clamshell Stirrups . . . . .	BCASC Series . . . . .	79
Bronze Vise Connectors – Jaws Meet . . . . .	VC-H Series . . . . .	80
Tank Ground Connectors . . . . .	RTG Series . . . . .	81
Service Drop Connectors . . . . .	RSD Series . . . . .	82
Mid-Span Clamps . . . . .	SDC & SEC Series . . . . .	83
Neutral Dead Ends . . . . .	RDE Series . . . . .	84
Stirrups . . . . .	RST Series . . . . .	85
Overhead Bail Clamps . . . . .	RB Series . . . . .	86
Bolted Wedge Connectors . . . . .	RBWC Series . . . . .	87
Bronze Parallel Vise Connectors . . . . .	VC-80XX Series . . . . .	88
Pedestal Connectors . . . . .	PC371105 Series . . . . .	89
Acorn Ground Clamps . . . . .	ACRN Series . . . . .	90
Neutral-Span Clamps . . . . .	R07-1285 Series . . . . .	91
Underground Residential Distribution Multi-Splice . . . . .	URD Series . . . . .	92
Fiber Optic Clamp . . . . .	RAFOB Series . . . . .	93
Fiber Optic Offset Bracket . . . . .	RFB Series . . . . .	94



# BRONZE VISE CONNECTORS – JAWS OVERLAP

VC Series

- Made of high-strength silicon bronze.
- Accepts a range of conductors.
- RUS Approved.



PART NUMBER*	CLAMPS 2 CABLES TOGETHER: THIS SIZE CABLE COMBINED WITH ANY CABLE LESS THAN OR EQUAL IN DIAMETER	DIMENSIONS IN INCHES			BOLT HEAD SIZE
		A	B	C	
VC3	6 Solid or 8 Stranded	7/8	5/8	3/4	3/8 (Slot)
VC5	4 Solid or Stranded	1-1/8	3/4	13/16	9/16
VC7	2 Solid or 3 Stranded	1-3/8	13/16	15/16	9/16
VC10	1 Solid or 2 Stranded	1-5/8	13/16	1	9/16
VC10S	3/0 Solid or 2/0 Stranded	2	7/8	1-1/4	9/16
VC12	4/0 Solid or Stranded	2-1/8	1	1-3/8	9/16
VC15	350 Stranded	3	1-1/4	1-3/4	3/4
VC18	500 Stranded	3-1/2	1-3/8	2	3/4

FOR OTHER SIZES, CONTACT YOUR SALES REPRESENTATIVE OR THE FACTORY.

\* For tin plated connectors, add "-P" to the part number. For a shear head bolt, add "-SH" to the part number. For a washer under the bolt, add "-W" to the part number.

# ALUMINUM HOT-LINE CLAMPS

## AHLC Series

- Designed to be used for distribution service connections with hot sticks.
- Eyebolts are made from forged stainless steel.
- Eyelets and keepers are made from aluminum bronze.
- Bodies are made from high-strength aluminum.
- Wide jaws provide a greater surface contact, reducing twisting of the conductor during installation.
- Spring-loaded with a sturdy steel spring to compensate for temperature changes.

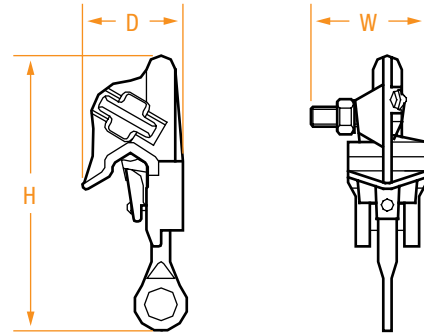


Figure 1

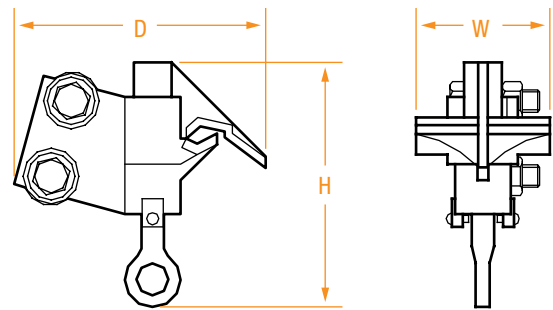


Figure 2

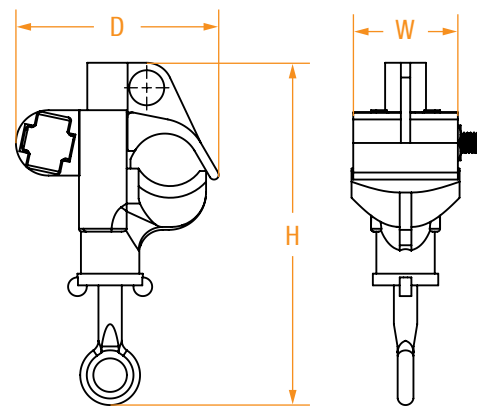


Figure 3



AHLC-18-9



AHLC-100-TN



AHLC-300-TN



AHLC-2000

PART NUMBER*	FIGURE	RUN RANGE		TAP RANGE		DIMENSIONS IN INCHES		
		MIN.	MAX.	MIN.	MAX.	H	D	W
AHLC-100-TN	1	#8	2/0	#8	2/0	5	2-3/4	2
AHLC-300-TN**	1	#6	400	#6	3/0	6	2-1/4	1-3/4
AHLC-18-9	2	1/0	500	two-hole NEMA Spade		6-1/2	4-1/2	3
AHLC-700-TN	2	#4 Str	800	#4 Sol	300	7	3	3
AHLC-2000	3	666 ACSR	2000 ACSR	#6 Sol Cu	250	7	4-5/16	2-1/2

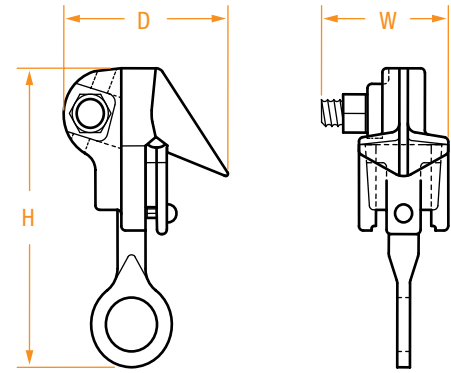
FOR OTHER SIZES, CONTACT YOUR SALES REPRESENTATIVE OR THE FACTORY.

\* For tin plated connectors, add "-TN" to the part number. For pre-applied inhibitor in the clamp's jaws (individually bagged) add "-IB" to the part number.  
 \*\* For 3/4" eyelet, add "-3/4" to the part number.

# BRONZE HOT-LINE CLAMPS

## BHLC Series

- Designed to be used for distribution service connections with hot sticks.
- Bodies are made from silicon bronze.
- Eyebolts are made from forged stainless steel.
- Eyelets and keepers are made from aluminum bronze.
- Wide jaws provide a greater area of surface contact reducing twisting of the conductor during installation.
- Spring-loaded with a sturdy steel spring to compensate for temperature change.



PART NUMBER*	RUN RANGE		TAP RANGE		DIMENSIONS IN INCHES		
	MIN.	MAX.	MIN.	MAX.	H	D	W
BHLC-100	#8	2/0	#8	2/0	5	2-3/4	2
BHLC-101	#6	400	#6	4/0	5-3/4	3-5/8	2-3/8
BHLC-102	#6	400	2/0 - 500 (U-Bolt Tap)		5-3/4	4-1/2	2-3/4
BHLC-201	#4	2/0	#6	2/0	3-7/8	4-1/2	1-7/8
BHLC-300	#6	400	#6	4/0	6-1/2	2-1/2	2-1/2
BHLC-400	#6	400	two-hole NEMA Spade		6-3/8	4-1/2	2-3/8
BHLC-401	#6	400	two-hole NEMA Spade		5-1/4	4-5/8	1-7/8

FOR OTHER SIZES, CONTACT YOUR SALES REPRESENTATIVE OR THE FACTORY.

### NOW AVAILABLE

*BHLC-100 is now available with extended tongue which facilitates landing the clamp onto the overhead conductor. To order, use part number BHLC-100-XT.*



\* For tin plated connectors, add "-TN" to the part number. For pre-applied inhibitor in the clamp's jaws (individually bagged) add "-IB" to the part number.

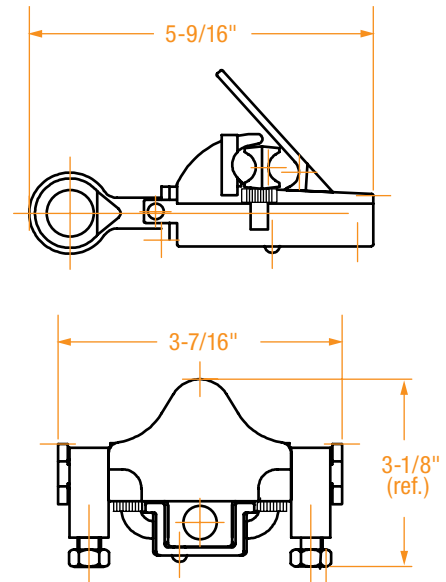
# ALUMINUM HOT-LINE CLAMPS

AHLC-397 Series

- A full duty connector designed to replace the function of hot-line taps in heavily loaded applications.
- Acorn clamps allow secure taps to exit from either side.
- Clamp is made of high-strength aluminum.
- Center piece is made from soft, high-conductive pure aluminum.
- Filled with oxide-inhibiting grease.
- Easily installed using a hot stick.



AHLC-397



PART NUMBER	CONDUCTOR RANGE RUN SIZE		CONDUCTOR RANGE TAP SIZE	
	MIN	MAX	MIN	MAX
AHLC-397	3/0 ACSR / 4/0 Str. Al	336,400 ACSR / 397,500 Al	3/0 ACSR / 4/0 Str. Al	336,400 ACSR / 397,500 Al

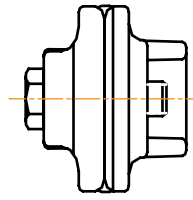
# ALUMINUM PARALLEL CLAMPS WITH PLASTIC COVERS

APC Series

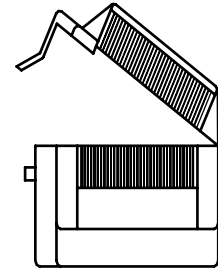
- Taps overhead secondary for connection to customer.
- Easily installed on energized or de-energized cables.
- Designed to withstand vibrations.
- Low torque provides high pressure on conductor.



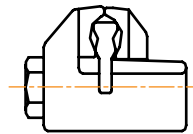
APC7-A



Aluminum  
Connector



Snap On  
Plastic Cover



PART NUMBER*	RUN SIZE		TAP SIZE		SNAP-ON COVER
	ACSR	AL	ACSR	AL OR CU	
APC5	#6-#4 ACSR	#2 Sol. #8 Sol. Al	#6-#4 ACSR	#2 Sol.-#8 Sol.	APCC-1
APC7	#6-#2 ACSR	#1 Str. #6 Sol. Al	#6-#2 ACSR	#1 Str.-#12 Sol.	APCC-1
APC10	#6-1/0 ACSR	#6 Sol. 2/0 Str. Al	#6-1/0 ACSR	#6 Sol.-2/0 Str.	APCC-1
APC11	#2-4/0 ACSR	#1 Str. 4/0 Str. Al	#2-4/0 ACSR	#1 Str.-4/0 Str.	APCC-2
APC12	#2-4/0 ACSR	#1 Str. 4/0 Str. Al	#6-2/0 ACSR	#6 Sol.-2/0 Str.	APCC-2
APC132	4/0-666,000 ACSR	266,800-800,000 Al	#6-2/0 ACSR	#6 Sol.-2/0 Str.	APCC-2
APC13	4/0-666,000 ACSR	266,800-800,000 Al	#2-4/0 ACSR	#1 Str.-4/0	APCC-2
APC14	3/0-336,400 ACSR	4/0-397,500 Al	#6-4/0 ACSR	#6 Sol.-266,800	APCC-2
APC15	3/0-336,400 ACSR	4/0-397,500 Al	3/0-336,400 ACSR	4/0-397,500	APCC-2

\* For a rubber grommet on the spacer, add "-G" to the part number. For connector and cover shipped together, add "-A" to the part number.

# ALUMINUM & BRONZE STIRRUP CONNECTORS

## ASC & BSC Series

- ASC connector has a pure aluminum body and pure copper bail.
- BSC connector has a bronze body and pure copper bail.
- Bail is knurled prior to insertion into aluminum connector to prevent pull-out.

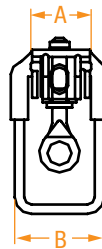
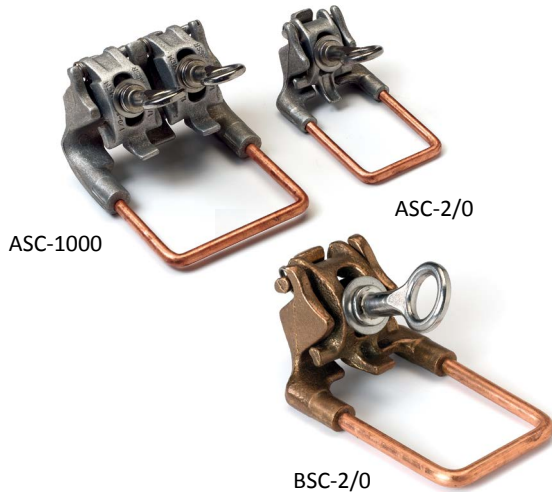


Figure 1

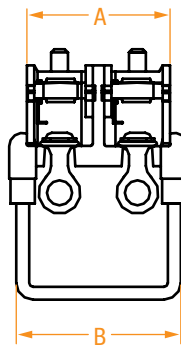
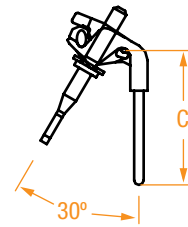
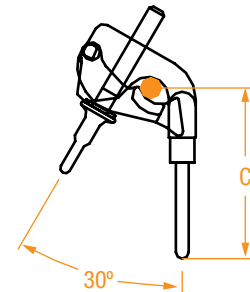


Figure 2



PART NUMBER*	CABLE RANGE	# OF EYEBOLTS	DIMENSIONS IN INCHES			BAIL DIA.
			A	B	C	
ASC-2/0**	AAC: #6 Sol. – 2/0 ACSR : #8 – 2/0	1	1-13/16	2-5/8	4-1/8	.289"
BSC-2/0***	#6 Sol. – 2/0 Cu #8 – 2/0 Cu	1	1-7/8	2-5/8	4-1/4	.289"
ASC-500**	AAC: 1/0 – 500 MCM ACSR: 1/0 – 397.5 MCM	2	4	4-3/8	4-13/16	.332"
ASC-1000**	AAC: 350 – 1000 MCM ACSR: 336.4 – 954 MCM	2	4-1/4	4-13/16	5-1/8	.385"

\* For tin plated bails, add "-TN" to the part number.

\*\* ASC-2/0, ASC-500 and ASC-1000 come with inhibitor applied to the clamp and individually bagged.

\*\*\*BSC-2/0 is not greased or bagged. Please add "-I" for inhibitor, "-B" for individually bagged or "-IB" for both.



# ALUMINUM CLAMSHELL STIRRUPS

BCASC Series

- Connector has a pure A356T6 aluminum body and pure copper bail.
- Bail is knurled prior to insertion into aluminum connector to prevent pull-out.
- Bail is tin-plated for better electrical connection.

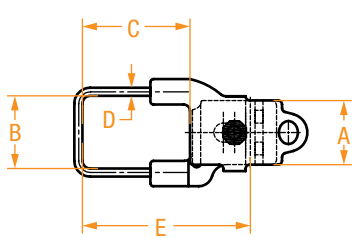


Figure 1

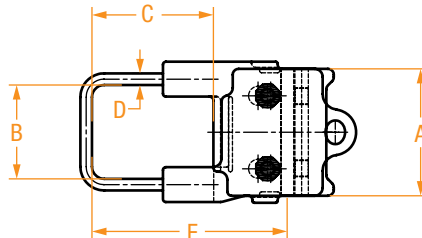


Figure 2

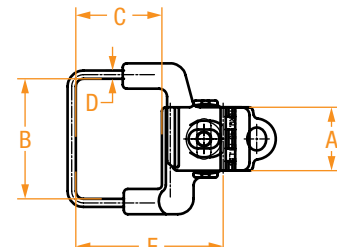


Figure 3

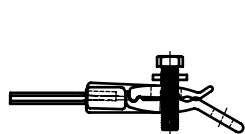


Figure 4

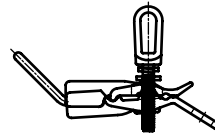


Figure 5

PART NUMBER	FIGURE	CABLE RANGE		DIMENSIONS IN INCHES				
		AAC	ACSR	A	B	C	D	E
BCASC2/0	1&4	4-2/0 (.232" - .414")	6-2/0 (.198" - .447")	2	2-1/4	3-3/8	#2 Cu	5-5/16
BCASC2/0-E-W	3&4	4-2/0 (.232" - .414")	6-2/0 (.198" - .447")	2	2-1/4	3-3/8	#2 Cu	5-5/16
BCASC2/0-E-45	1&5	4-2/0 (.232" - .414")	6-2/0 (.198" - .447")	2	2-1/4	3-1/8	#2 Cu	4-7/8
BCASC2/0-W	3&4	4-2/0 (.232" - .414")	6-2/0 (.198" - .447")	2	3-3/4	3-3/8	#2 Cu	5-5/16
BCASC2/0-45	1&5	4-2/0 (.232" - .414")	6-2/0 (.198" - .447")	2	3-3/4	3-1/8	#2 Cu	4-7/8
BCASC2/0-E-W-45	3&5	4-2/0 (.232" - .414")	6-2/0 (.198" - .447")	2	3-3/4	3-1/8	#2 Cu	4-7/8
BCASC397	2&4	2/0-477 (.414" - .795")	1/0-477 18/1 (.398" - .814")	4	3-1/8	4-1/4	2/0 Cu	6-1/8
BCASC397-45	1&5	2/0-477 (.414" - .795")	1/0-477 18/1 (.398" - .814")	4	3-1/8	4-1/4	2/0 Cu	6-1/8
BCASC397-E-45	2&5	2/0-477 (.414" - .795")	1/0-477 18/1 (.398" - .814")	4	3-1/8	4	2/0 Cu	5-3/4
BCASC397-L	2&4	2/0-477 (.414" - .795")	1/0-477 18/1 (.398" - .814")	4	3-1/8	4-1/8	1/0 Cu	6-1/8
BCASC397-E-45-L	2&5	2/0-477 (.414" - .795")	1/0-477 18/1 (.398" - .814")	4	3-1/8	3-7/8	1/0 Cu	5-3/4

E=Eye Bolt

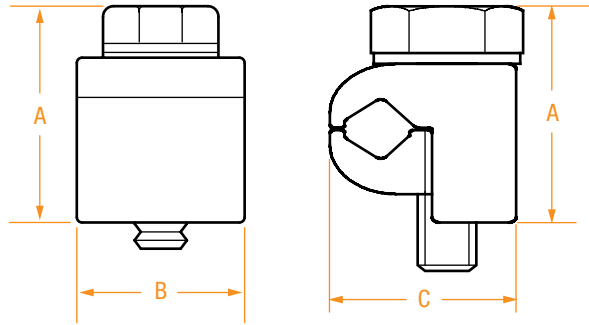
W=Wide Bail

45=45° Bail

# BRONZE VISE CONNECTORS – JAWS MEET

VC-H Series

- Made of high-strength silicon bronze.
- Accepts a range of conductors.



PART NUMBER*	CLAMPS 2 CABLES TOGETHER: THIS SIZE CABLE COMBINED WITH ANY CABLE LESS THAN OR EQUAL IN DIAMETER	DIMENSIONS IN INCHES			BOLT HEAD SIZE
		A	B	C	
VC3-H	#6	15/16	9/16	5/8	3/8 Slotted
VC5-H	#2	1-1/8	11/16	13/16	9/16
VC7-H	1/0	1-1/2	13/16	1-1/16	9/16
VC10S-H	2/0	1-5/8	1	1-1/8	9/16
VC12-H	4/0	1-3/4	1	1-7/16	9/16

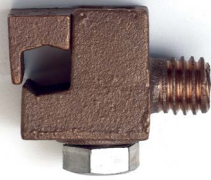
FOR OTHER SIZES, CONTACT YOUR SALES REPRESENTATIVE OR THE FACTORY.

\* For tin plated, add "-P" to the part number. For a shear head bolt, add "-SH" to the part number.

# TANK GROUND CONNECTORS

RTG Series

- Used for grounding connections on distribution transformer tanks.
- Recommended for copper ground conductors.
- Made of high-strength silicon bronze.
- Provided with standard 1/2 - 13 thread studs with a 9/16" bolt head.



RTG512



RTG512F

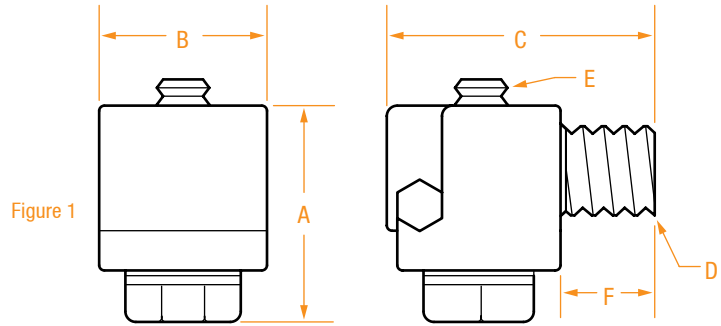


Figure 1

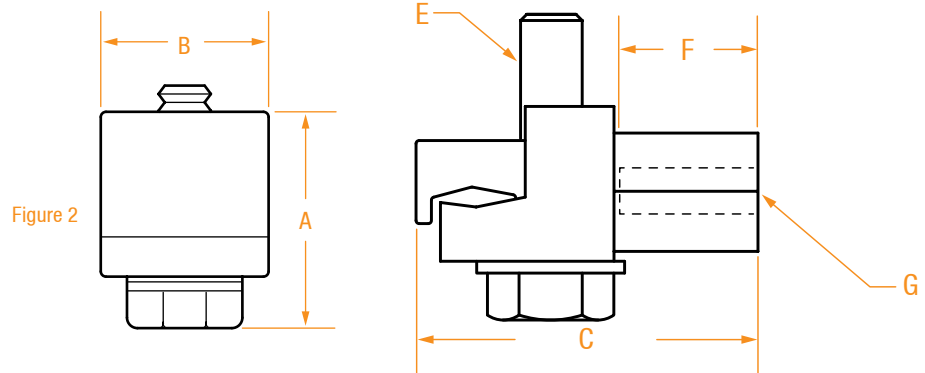


Figure 2

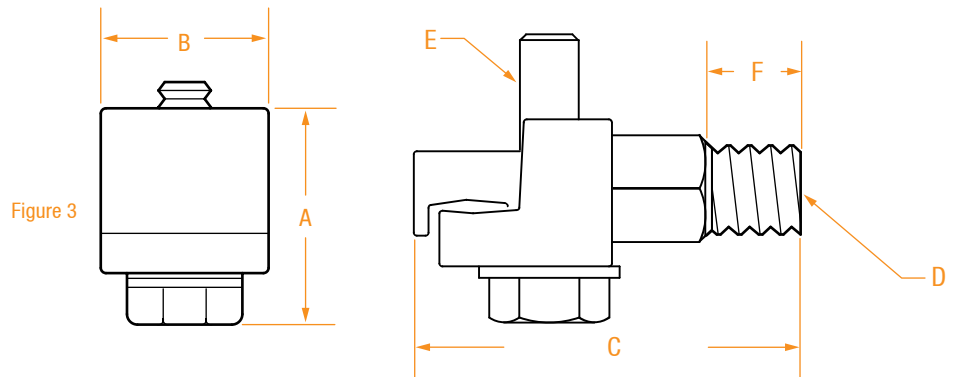


Figure 3

PART NUMBER*	CONDUCTOR RANGE	FIGURE #	DIMENSIONS IN INCHES						
			A	B	C	D	E	F	G
RTG512	6 Sol. to 1/0	1	1-1/4	3/4	1-3/8	1/2-13	5/16	1/2	-
RTG512-XL	6 Sol. to 1/0	1	1-1/4	3/4	1-3/8	1/2-13	5/16	1-1/16	-
RTG512-F	6 Sol. to 1/0	2	7/8	7/8	1-11/16	-	5/16	1/2	Threaded hole 5/16 -18
RTG512-F-3/8	6 Sol. to 1/0	2	7/8	7/8	1-11/16	-	5/16	3/4	Threaded hole 3/8 -16
RTG512-M	6 Sol. to 1/0	3	1	13/16	2-1/8	1/2-13	5/16	1/2	-

FOR OTHER SIZES, CONTACT YOUR SALES REPRESENTATIVE OR THE FACTORY.

\* For plated connectors, add "-TN" to the part number.  
 Note: All RTG designs are available with eyebolt shown in Figure 4. To order add "E" to the part number.

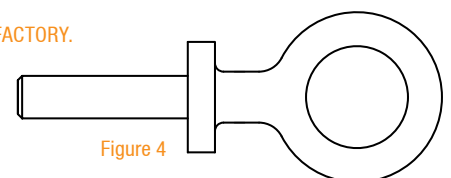
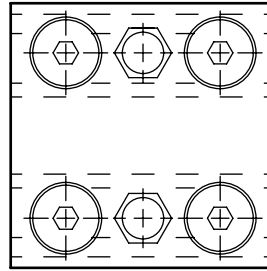


Figure 4

# SERVICE DROP CONNECTORS

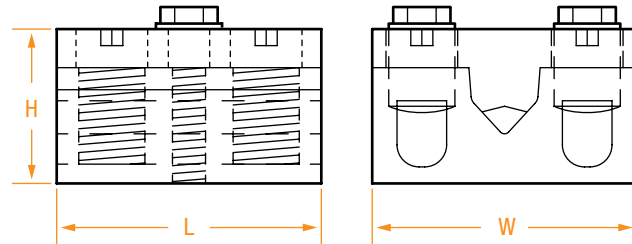
RSD Series

- Designed for multiple service connections.
- It provides a compact, readily accessible, reliable secondary connection.
- Allows for one main run and four service drop connections.
- Each service drop is individually connected, which allows easy installation and removal.
- The body is made of high-strength aluminum.
- Cable ports are prefilled with an oxide-inhibiting compound.



## Cover:

- The cover is designed to protect the connector from contact with other phases.
- Holes for the service drops are precut to allow installation and removal of each service without having to remove the cover.
- Contains UV stabilizers.



RSD262

PART NUMBER	CONDUCTOR RANGES		DIMENSIONS IN INCHES		
	RUN	TAP	L	W	H
RSD262*	2 Str. – 350 MCM	#4 Sol. – 3/0 Str.	3-1/16	2-7/8	1-3/4
RSD262C	2 Str. – 350 MCM	#4 Sol. – 3/0 Str.	3-15/16	3-9/16	3

RSD262C IS THE COVER FOR THE RSD262 CONNECTOR

\* Comes with the black cover RSD262C.

# MID-SPAN CLAMPS

SDC & SEC Series

- Mid-span clamps are designed for use on bare cable and triplex secondaries for single or multiple service connections away from the pole.
- Fabricated from high-strength, high-conductivity aluminum.
- Features a four-tap connection block and an aluminum base with side loop that attach to service dead ends.
- Cable ports are pre-filled with an oxide-inhibiting compound.
- The service tap block enables the joining of one through four cables.
- Each cable is held by a separate bolt allowing for easy installation and removal.
- High-strength washer bolts are used to secure the neutrals.
- These bolts are anodized to prevent the aluminum from galling when installing and removing cables.
- Plastic cover contains UV stabilizers.

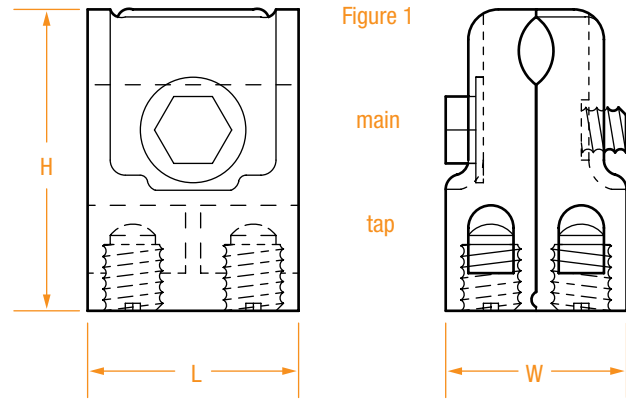


Figure 1

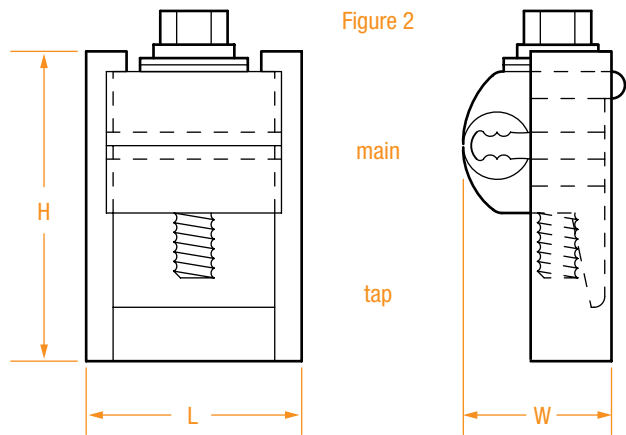


Figure 2



SDC495



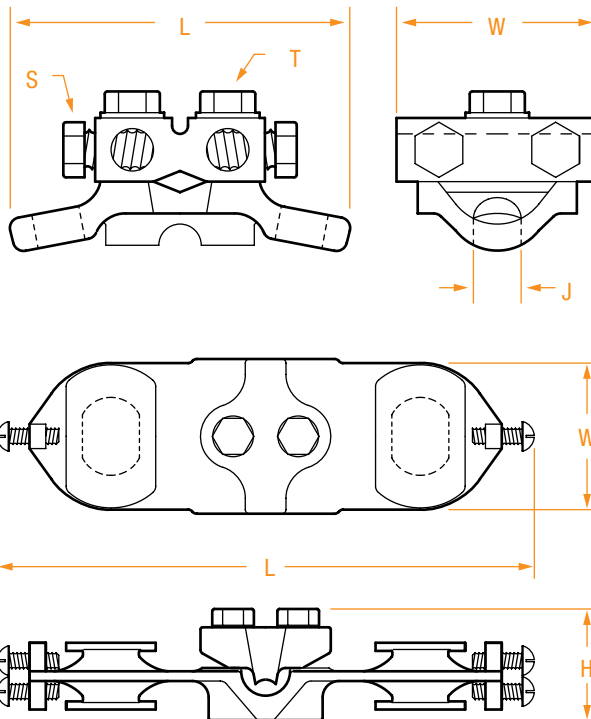
SEC3-12

PART NUMBER	CONDUCTOR RANGES		FIG.	DIMENSIONS IN INCHES		
	MAIN	TAP		L	W	H
SDC495	#2 Str. – 3/0 Str.	#6 – 1/0 Str.	1	2	1-9/16	2-7/8
SEC3-12	#6 Sol. Cu – 2/0 Str. #6 Str. Al – 4/0 Str. Al	#6 Sol. Cu – 2/0 Str. #6 Str. Al – 4/0 Str. Al	2	1-3/4	1-1/2	2-1/2

## NEUTRAL DEAD ENDS

RDE Series

- The RICHARDS RDE-101 and RSPTAP use an aluminum connector block with four taps to join neutrals from one through four services.
- Designed for neutral dead-end connections.
- High-strength aluminum washer head bolts are used to provide easy installations on bare wire or triplex secondary neutrals away from the pole.
- Side loops allow service dead ends to be attached at any angle.
- Each service is individually connected, which provides easy removal and installation.
- When installed on triplex secondaries, the fitted grooves protect the covered phase wires.
- Each cable port is pre-filled with an oxide-inhibiting compound.



RSPTAP



RDE-101

PART NUMBER	CONDUCTOR RANGE				DIMENSIONS IN INCHES					
	RUN		TAP		H	J	L	W	T	S
	MIN	MAX	MIN	MAX						
RDE-101	#4	4/0	#6	2/0	2-1/4	5/8	4-1/8	2-7/8	3/8	1/2
RSPTAP	-	-	-	-	1-1/2	-	8-1/8	2-3/8	-	-

# STIRRUPS

RST Series

- Stirrups allow the attachment of hot-line clamps and grounding connectors to different system components.
- Stirrup holes are spaced such that they will be accepted on standard NEMA pads.
- The flange on the end of the stirrup prevents any clamps from sliding off during installation.

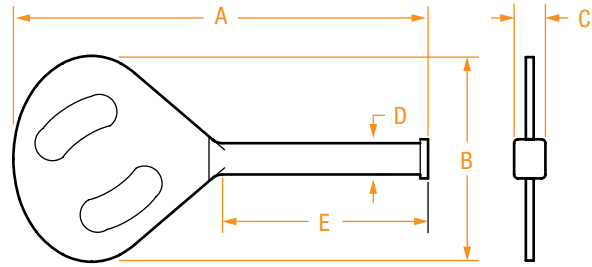


Figure 1

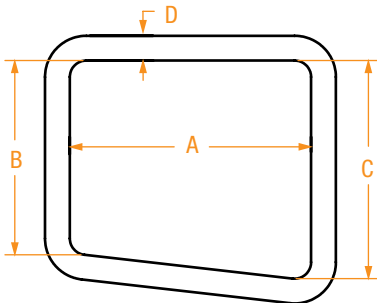


Figure 2

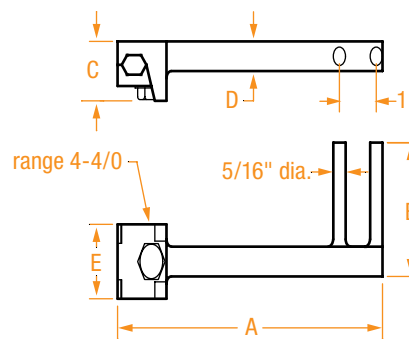
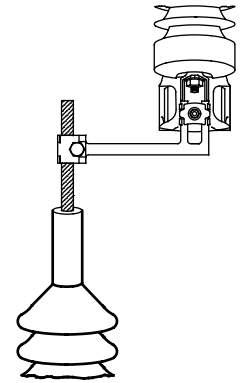


Figure 3



PART NUMBER	FIGURE	DIMENSIONS IN INCHES				
		A	B	C	D	E
RST-275*	1	7	3-1/2	1-1/4	3/4	3-1/4
R124214**	2	4-1/4	3-3/8	4-1/8	0.460 (4/0)	N/A
RST-356***	3	7	2-1/4	1-1/2	1/2	1-1/4

\* RST-275 is made of high-strength cast aluminum.  
 \*\* R124214 is made of high-conductivity copper rod.  
 \*\*\* RST-356 is made of cast bronze.

# OVERHEAD BAIL CLAMPS

RB Series

- Designed to be used for distribution service connections with standard hot sticks.
- Bail size ranges from #1 to 4/0 solid.
- The body is made of high-strength aluminum.
- Large area of compression between the aluminum body and the bail makes an extremely reliable connection.
- The wide jaws provide a greater area of surface contact, reducing twisting of the conductor during installation.
- Jaws are pre-coated with an oxide-inhibiting compound.

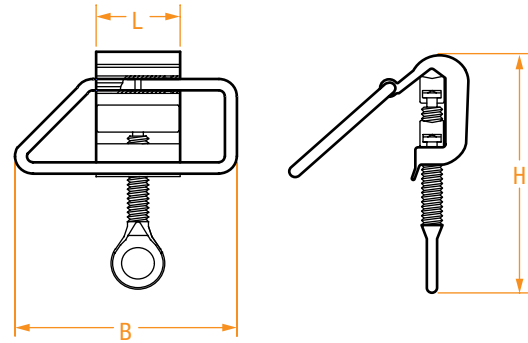


Figure 1

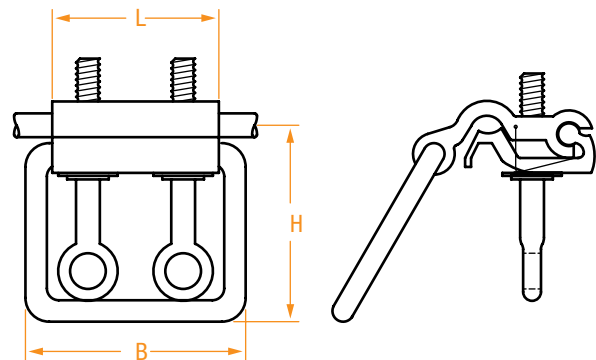


Figure 2

PART NUMBER*	FIGURE	CONDUCTOR RANGE		BAIL SIZE	DIMENSIONS IN INCHES		
		MIN.	MAX.		L	B	H
RB563	1	#4	4/0	#1	1-3/4	4-1/2	4-1/2
RB319	1	1/0	477	1/0	2-1/2	5	4-1/2
RB341	2	1/0 Al	477 Al	4/0 Cu	3-1/2	4-5/8	5

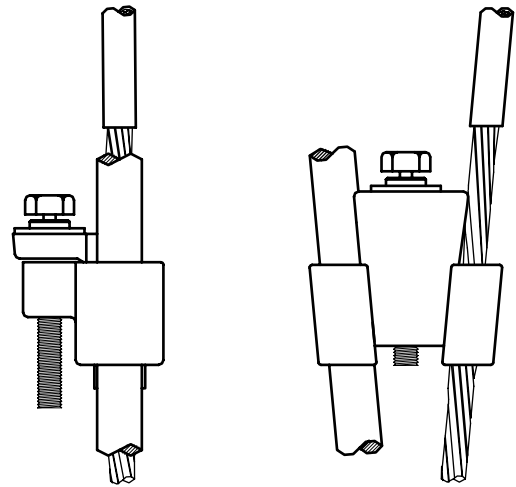
\* Standard connectors have tinned copper bails. Add "-NTN" to the part number if non-tinned bails are acceptable.



# BOLTED WEDGE CONNECTORS

RBWC Series

- Made of high-strength silicon bronze.
- Wedge design keeps constant compression.
- Shear-head bolt ensures proper torque.
- Forces in excess of 4,000 lbs. on each cable or ground rod.



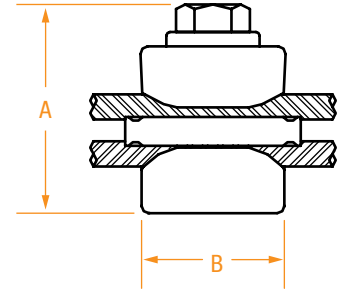
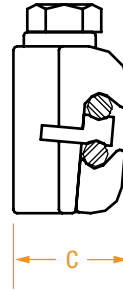
PART NUMBER	CONDUCTOR RANGE		BOLT	BOLT HEAD
	MIN	MAX		
RBWC-L-9-7	#2	1/0	5/16	9/16
RBWC-L-9-5	#4	1/0	5/16	9/16
RBWC-L-9	1/0	1/0	5/16	9/16
RBWC-M-5/8-5	#4 or #6	5/8" Ground Rod	5/16	9/16
RBWC-M-5/8-7	#2	5/8" Ground Rod	5/16	9/16
RBWC-M-5/8-9	1/0	5/8" Ground Rod	5/16	9/16

FOR OTHER SIZES, CONTACT YOUR SALES REPRESENTATIVE OR THE FACTORY.

# BRONZE PARALLEL VISE CONNECTORS

VC-80XX Series

- Made of high-strength silicon bronze.
- Accepts a range of conductors.
- Size overlapping allows for smaller inventory requirements.
- Interlocking design provides resistance to vibration loosening.
- Spacer provides additional contact area for lower resistance.



VC-8020-G



VC-8020-TN



VC-8058-SH

PART NUMBER*	CONDUCTOR RANGE		DIMENSIONS IN INCHES			BOLT	BOLT HEAD
	MIN	MAX	A	B	C		
VC-8002	#8	#2 Sol	1-3/16	1	3/4	5/16	9/16
VC-8010	#8	#1	1-7/16	1	1	5/16	9/16
VC-8020	#8	3/0	1-9/16	1	1	5/16	9/16
VC-8058-SH	#6 - #2	5/8 Ground Rod	2-1/4	1-3/16	1-3/16	3/8	9/16

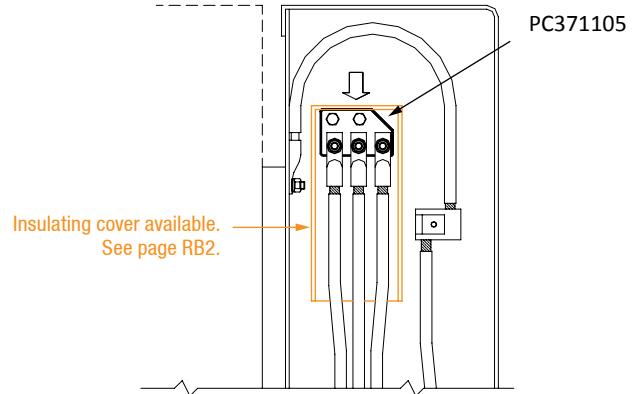
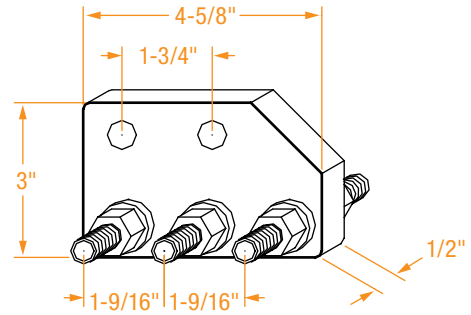
FOR OTHER SIZES, CONTACT YOUR SALES REPRESENTATIVE OR THE FACTORY.

\* For tin-plated connectors, add "-P" to the part number. For a shear-head bolt, add "-SH" to the part number. For a rubber grommet on the spacer, add "-G" to the part number.

# PEDESTAL CONNECTORS

PC371105 Series

- Plate is tin-plated aluminum.
- Stainless steel studs.
- Zinc dichromate-plated washer nuts.



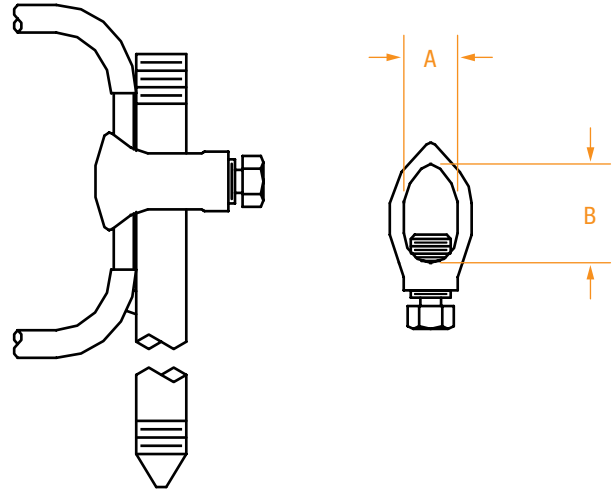
PART NUMBER	STUD SIZE
PC371105	1/2"

FOR OTHER SIZES, CONTACT YOUR SALES REPRESENTATIVE OR THE FACTORY.

# ACORN GROUND CLAMPS

ACRN Series

- Used for grounding copper conductor to copper ground.
- Made from bronze alloy.



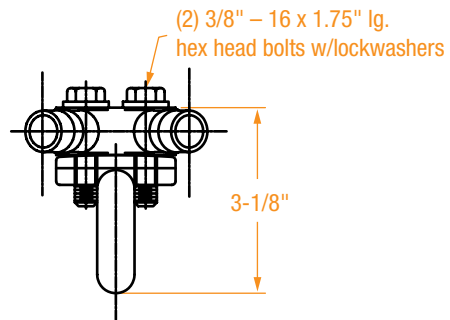
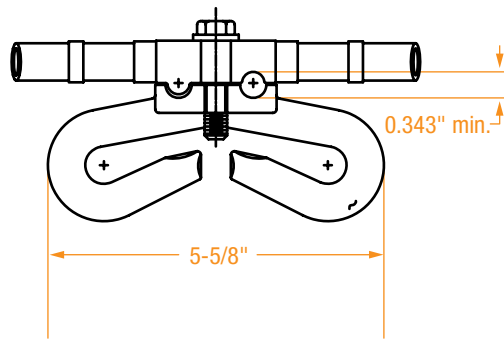
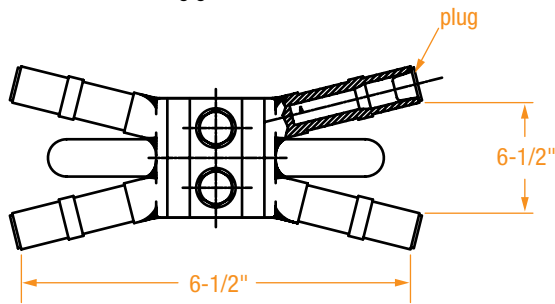
PART NUMBER	CONDUCTOR RANGE	ROD SIZE	DIMENSIONS IN INCHES	
			A	B
ACRN-5/8*	#8-1/0	5/8"	11/16	1-1/16
ACRN-5/8-CPS	#2-14	5/8"	5/8	1-1/16

\* For a shear-head bolt, add "-SH" to the part number.

# NEUTRAL-SPAN CLAMPS

R07-1285 Series

- Used for mid-span taps.
- Made of high-strength aluminum.
- Filled with oxide-inhibiting grease.



PART NUMBER	HEIGHT
R07-1285	3-1/8"

FOR OTHER SIZES, CONTACT YOUR SALES REPRESENTATIVE OR THE FACTORY.

# UNDERGROUND RESIDENTIAL DISTRIBUTION MULTI-SPLICE

URD Series

- Consists of Aluminum bus, insulated with EPDM rubber.
- Allows quick and simple installation.
- Connects using 5/16" hexagonal wrench.
- Seals tight to keep out water and other foreign contaminants.



PART NUMBER	CABLE RANGE	OUTLETS	L	H
RM124036-6WAY	#12 Sol. through 500 MCM	6	10-1/2"	2-5/8"
RM124036-8WAY	#12 Sol. through 500 MCM	8	14"	2-5/8"

Rubber tabs allow quick access to hex screw and maintain watertight seal

EPDM, marked with instructions and conductor range, insulates Al bus and keeps part durable

Unit accepts wide range of cable from #12 SOL to 500MCM

(5/16") Hex wrench used to connect cable



# FIBER OPTIC CLAMP

RAFOB Series

- Unit clamps onto fiber optic cable.
- Rubber “O” ring keeps bolt captive to bracket.
- EPDM Rubber insert withstands the toughest environmental conditions, including extreme temperature fluctuations and ozone exposure.
- Multiple insert sizes are offered to house a variety of cable diameters.
- Offset bracket is available to attach and offset fiber optic bracket.
- Body constructed from high strength Aluminum.



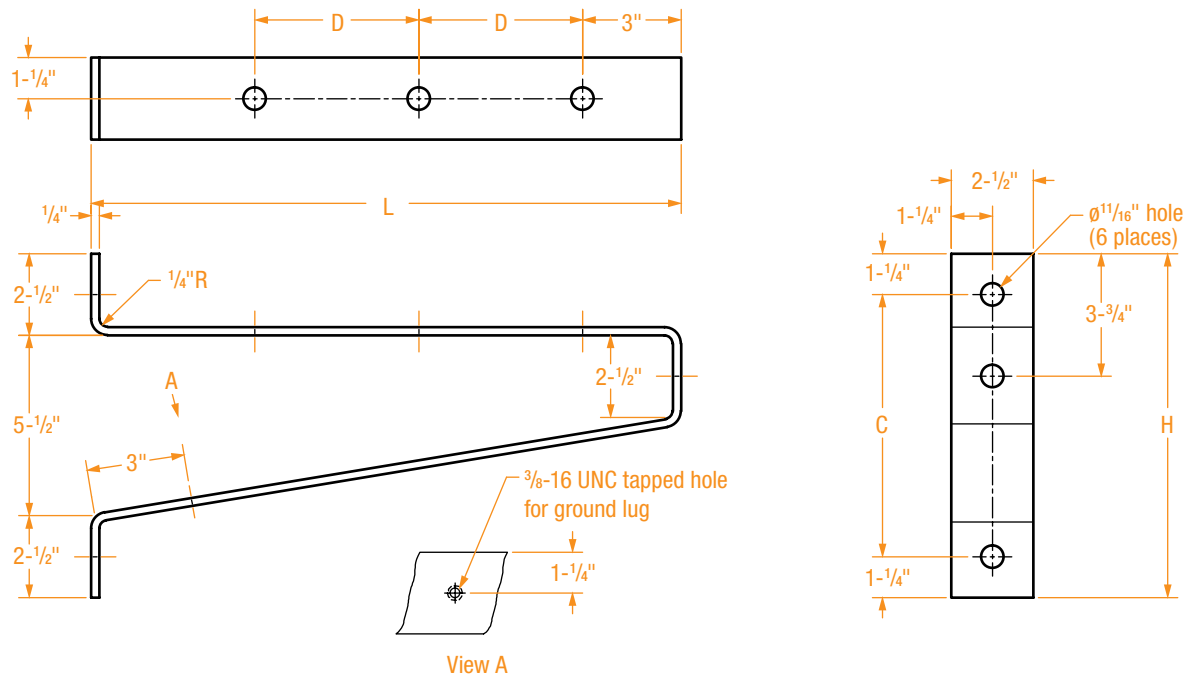
PART NUMBER FOR CLAMP AND INSERT	CABLE RANGE IN INCHES	PART NUMBER FOR CLAMP ONLY	PART NUMBER FOR INSERT ONLY
RAFOB-6045	0.426 – 0.475	RAFOB	FORS-6045
RAFOB-6050	0.476 – 0.525	RAFOB	FORS-6050
RAFOB-6055	0.526 – 0.575	RAFOB	FORS-6055
RAFOB-6065	0.626 – 0.675	RAFOB	FORS-6065
RAFOB-6080	0.776 – 0.825	RAFOB	FORS-6080
RAFOB-6085	0.826 – 0.875	RAFOB	FORS-6085
RAFOB-6100	0.976 – 1.025	RAFOB	FORS-6100

FOR OTHER SIZES, PLEASE CONTACT YOUR SALES REPRESENTATIVE OR THE FACTORY

# FIBER OPTIC OFFSET BRACKET

RFB Series

- Designed to offset Richards Fiber Optic Bracket from pole.
- Fabricated from steel for high-strength and durability.
- Available in two sizes for different offset lengths.



PART NUMBER	DIMENSIONS IN INCHES			
	L	D	C	H
RFB1	12	3	8	10-1/2
RFB2	18	5	8	10-1/2