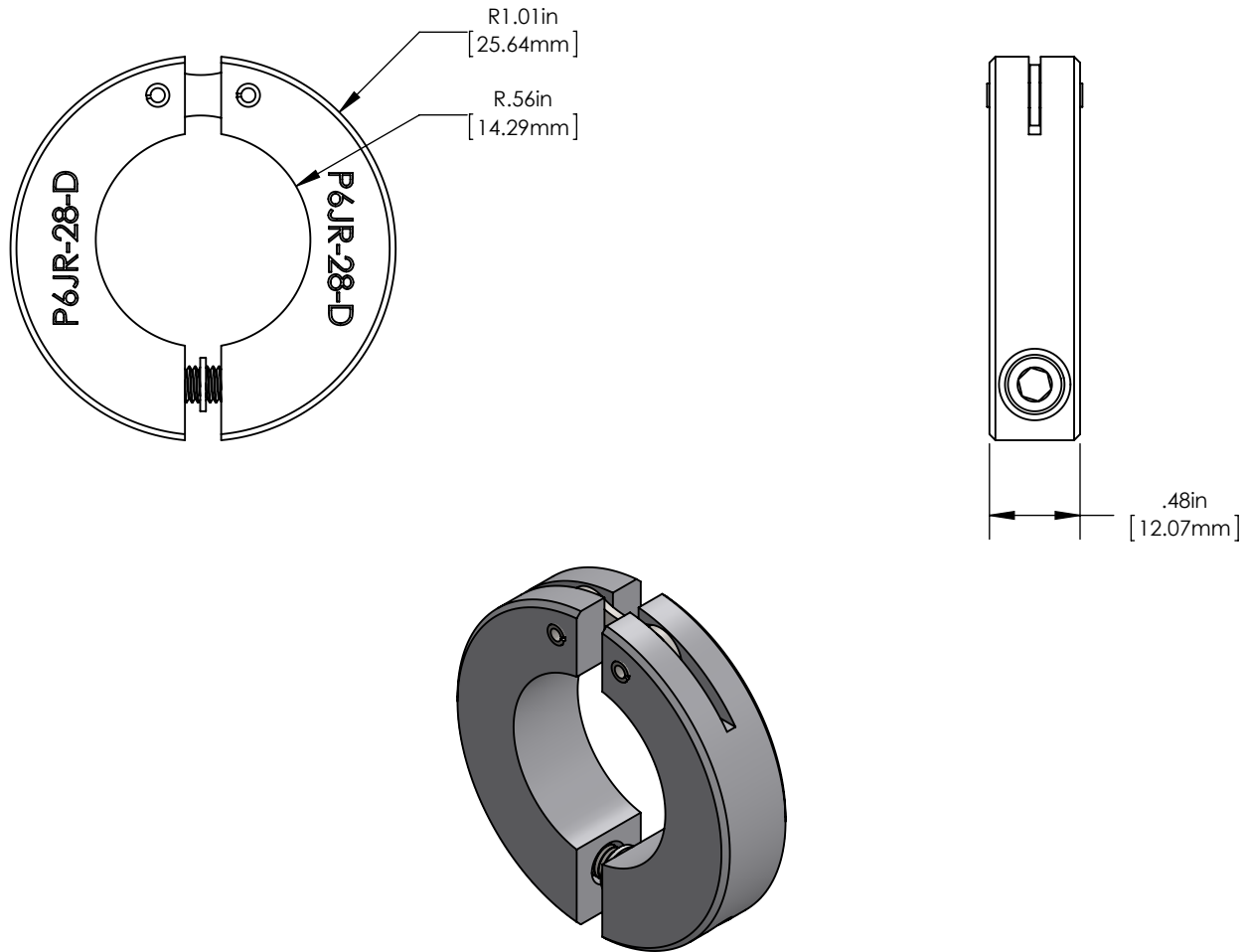


# Product Specifications

## Disconnectable Joint Retaining Ring



Richards Disconnectable Joint Retaining Rings are used to prevent movement of Deadbreak Cable Adapters during installation of the Joint Sleeve. This accessory is made from tin plated aluminum and sized based on conductor.