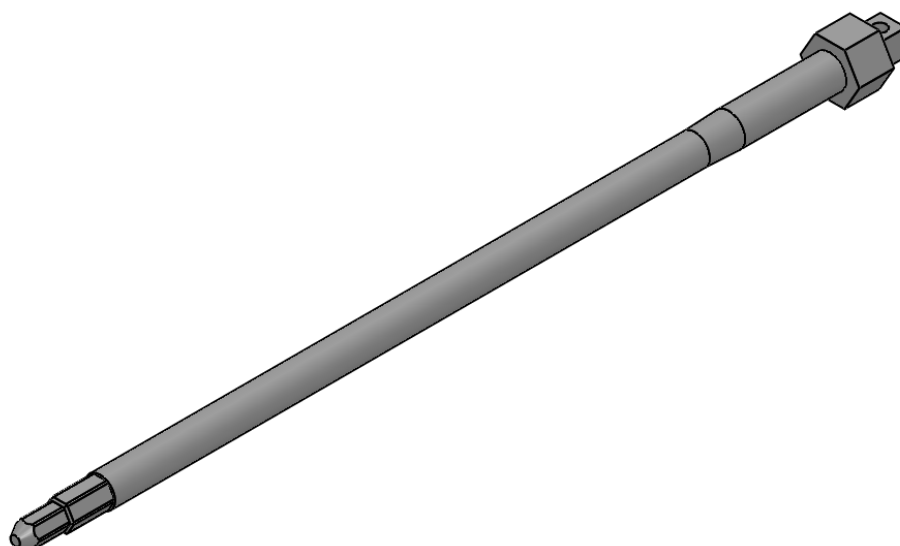
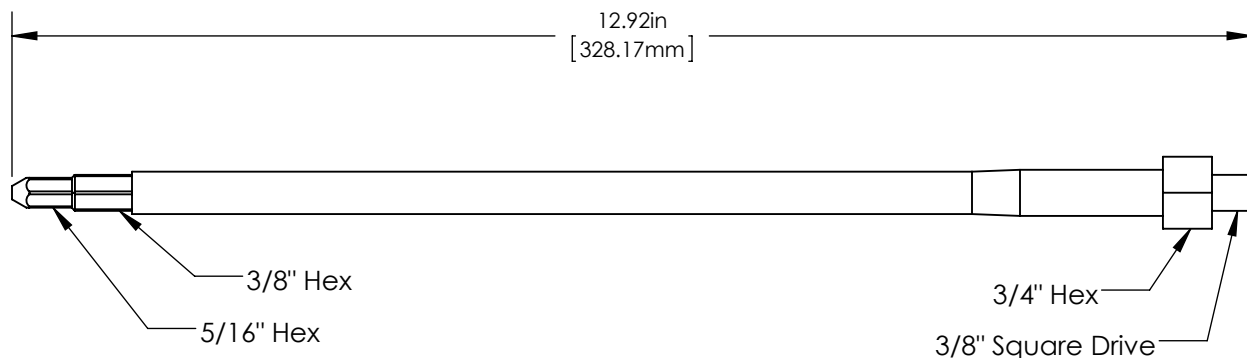


Product Specifications

Multi-Hex Installation Tool - 3/8" Drive



The P6AT is an installation tool for use on Medium Voltage Cable Accessories 15kV through 35kV. Equipped with a dual 5/16" and 3/8" hex tip, the P6AT can be used to install a wide variety of accessories. The back of the P6AT features both a 3/8" square drive and a 3/4" hex for compatibility with multiple torque-driving tools.

The Multi-Hex Installation Tool is made of Stainless Steel for superior corrosion resistance and is heat treated for additional hardness and durability. Common applications for this tool include installation of R-800, R-Stack, Loadbreak Bushing Inserts, Deadbreak Connecting Plugs.