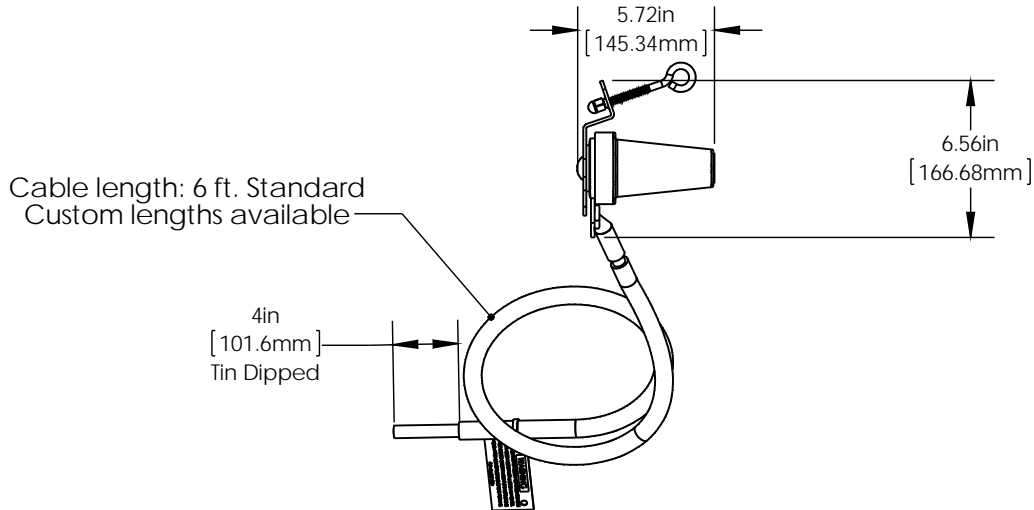


# Product Specifications

## 35 kV Class Grounding Bushing



### Product Ratings

Momentary

25 kA, 10 Cycles  
10 kA, 3 Sec.

The Richards P635GB is a 35 kV 600A Deadbreak interface connected to a 4/0 AWG copper grounding cable. The grounding cable comes pre-stripped and tinned at the end to facilitate any connection to ground. Custom end connections available on request. The Grounding Bushing has a stainless steel mounting bracket and hot-stick operable mounting hardware for insertion into a parking stand. The Grounding Bushing can be connected to a Richards Deadbreak Elbow to ground the circuit.