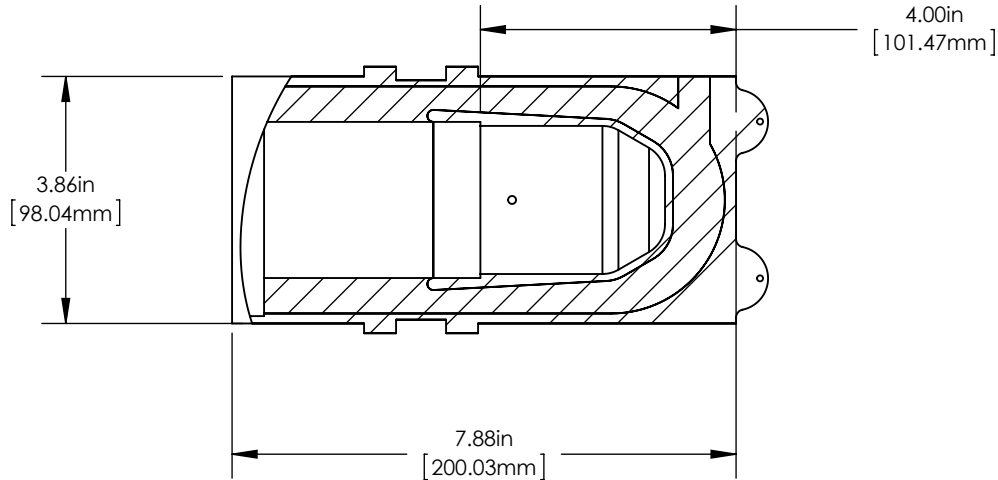


Product Specifications

15/25/28kV 600A Joint Insulating Cap



Richards 15/25/28kV Insulating Cap (P625JIC) provides a means for shielding, sealing and insulating 600A Disconnectable Joint Bus interfaces that are not in use. The P625JIC is supplied with a stainless steel bail which secures the Insulating Cap to the Disconnectable Joint Bus.

Product Ratings

Operating Voltage	16.2 kV L-G 28 kV L-L
Impulse Withstand	140 kV BIL
AC Withstand	45 kV
DC Withstand	84 kV
Partial Discharge	22 kV CEV
Momentary	25 kA, 10 Cycles
Continuous Current	600 A

Richards 25 kV Joint Insulating Cap (P625JIC) was designed and validated against the following industry standards:

- ANSI/IEEE Std. 386: For Separable Insulated Connector Systems
- ANSI C119.4: For Electric Connectors
- IEEE Std. 592: For Exposed Semiconducting Shields