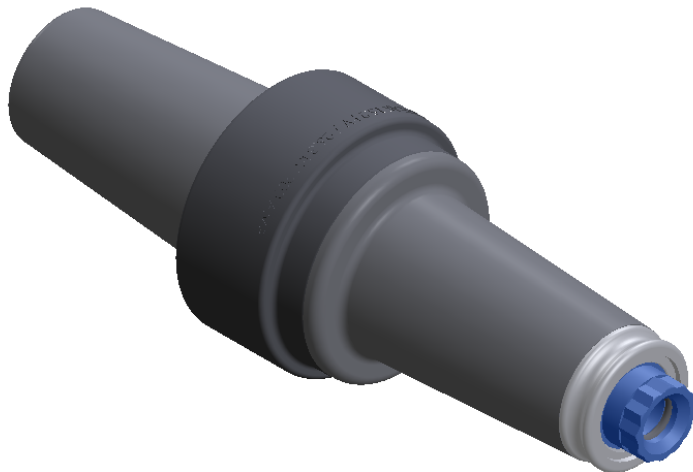
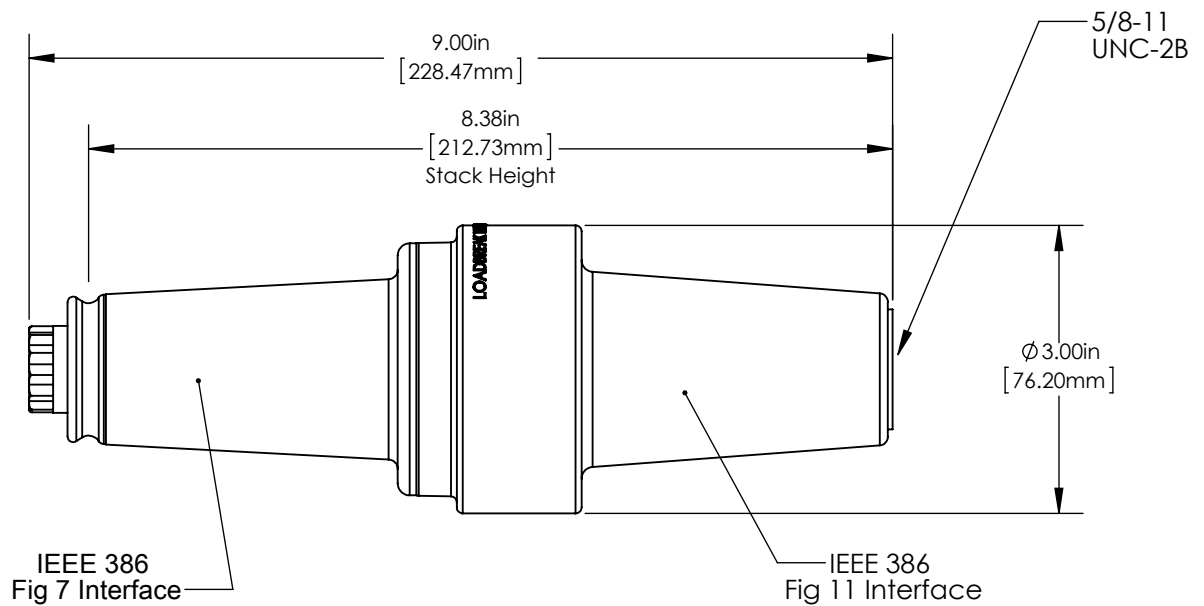


Product Specifications

25kV Loadbreak Elbow Tap Plug



Richards 25kV Loadbreak Elbow Tap Plug (P625ETP) converts a 15/25kV 600A Deadbreak interface (IEEE 386 Fig. 11) to a 25kV 200A Loadbreak interface (IEEE 386 Fig. 7) for use with a Loadbreak elbow or cap.

The Elbow Tap Plug features an internal 3/8" hex broach for assembly according to manufacturer's instructions.

Product Ratings

Maximum Voltage Rating (kV rms)	15.2kV L-G 26.3kV L-L
Impulse Withstand	125kV
AC Withstand	40kV
DC Withstand	78kV
Partial Discharge	19kV CEV
Momentary	3.5 kA, 3 sec 10kA, 10 cycles
Continuous Current	200A

Richards 25kV Loadbreak Elbow Tap Plug (P625ETP) was designed and validated against the following industry standards:

- ANSI/IEEE Std. 386: For Separable Insulated Connector Systems
- ANSI C119.4: For Electric Connectors
- IEEE Std. 592: For Exposed Semiconducting Shields