

15/25/28kV Deadbreak Connecting Plug

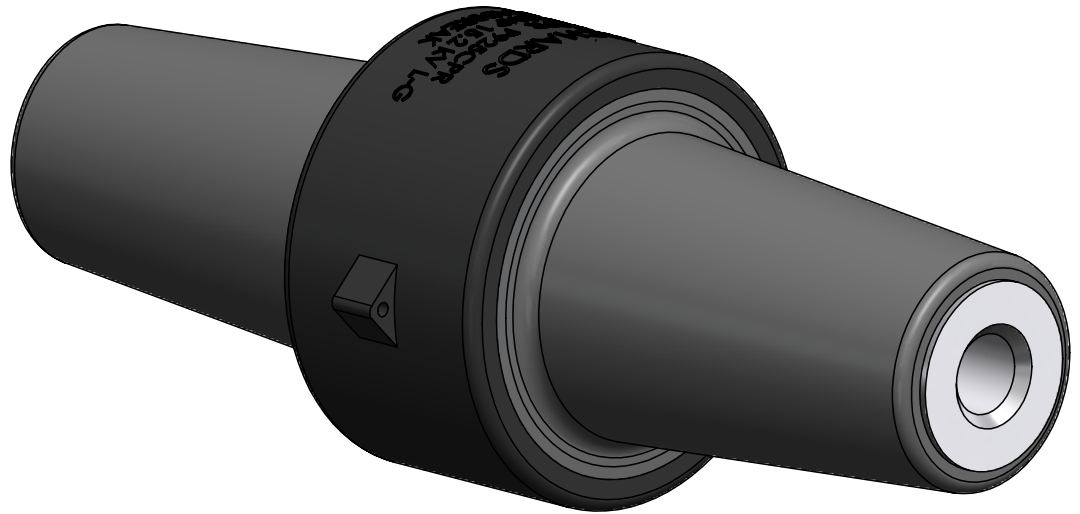
Product Data Sheet

Richards 15/25/28kV 600A (P625CPR) and 900A (P925CPR) Deadbreak Connecting Plugs are utilized to connect two or more 15/25/28kV Deadbreak Elbows together. The Elbows can be configured as a splice, or stacked onto a junction or apparatus bushing.

Richards Connecting Plugs are manufactured from EPDM rubber and are fully shielded. Each interface (IEEE Std. 386 Interface 11) is equipped with an internal 3/8" hex broach. The Connecting Plug is torqued using an approved installation tool such as the Richards P6AT.

Add -LS to include loose stud (P625CPR-LS).

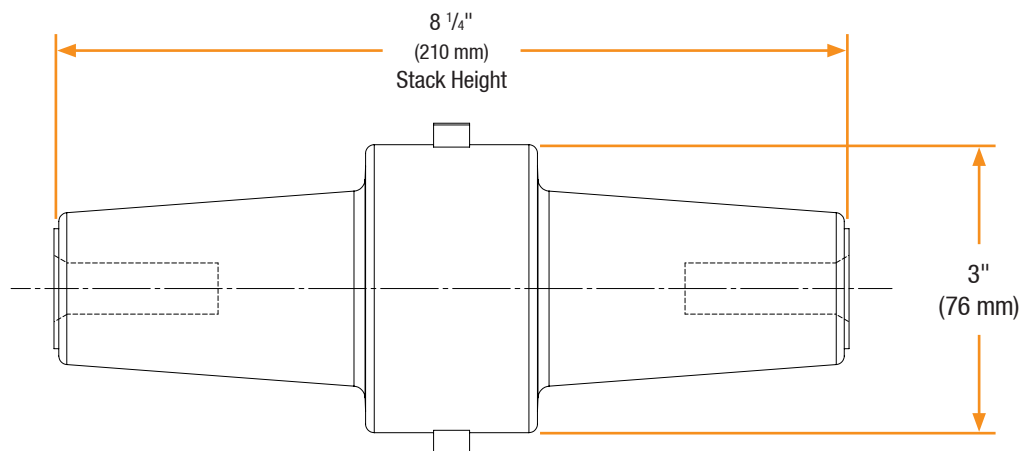
Add -S to include factory installed stud (P625CPR-S).



Features

- 100% EPDM Composition
- Injection Molded & Peroxide-Cured
- Made in the USA
- Fully-Shielded/Deadfront
- Internal Hex Broach for 3/8" Tools

Basic Dimensions



15/25/28kV Deadbreak Connecting Plug

Installation

15/25/28kV Deadbreak Connecting Plug Installation is covered by: **RP-II-PLUGWELL**

Related Products

P625HIP-STUD

15/25/28kV Aluminum Threaded Stud

P925HIP-STUD

15/25/28kV Copper Threaded Stud

62LCN/62LCT

15/25/28kV Deadbreak Elbow

92LCN/92LCT

15/25/28kV Deadbreak Elbow

CSH SERIES

15/25/28kV Cold Shrink Hammerhead

P625BE

15/25/28kV Bushing Extender

P925BE

15/25/28kV Bushing Extender

P625IC

15/25/28kV Insulating Cap

P925IC

15/25/28kV Insulating Cap

Production Testing

IEEE requires a Partial Discharge test and choice between AC withstand and Impulse.

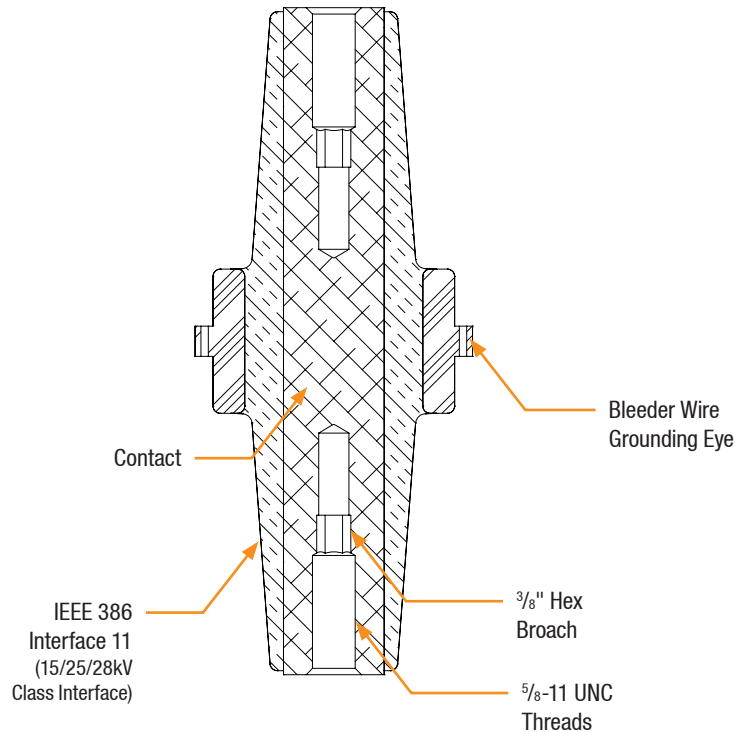
Richards runs 3/3 tests on *all* Medium Voltage products governed by IEEE 386. [®]

100% Routine Electrical Test:

- Partial Discharge
- AC Withstand
- Impulse Withstand

[®] Exceeds IEEE 386 requirement

Detail View



Product Ratings

Voltage Ratings	
Maximum Voltage Rating – (phase to ground)	16.2kV
Corona Voltage Level – (partial discharge extinction voltage)	22kV [®]
AC Withstand – (1 minute)	45kV
Impulse-Withstand Voltage – (BIL)	140kV BIL [®]

Continuous Current Ratings	
Aluminum	600A
Copper	900A

Short-Time Current Ratings	
Aluminum	40kA, 10c. and 10kA, 3s. [®]
Copper	40kA, 10c. and 10kA, 3s.

The 15/25/28kV Deadbreak Connecting Plug is qualified to the following industry standards:

- IEEE Std 386: For Separable Insulated Connector Systems
- ANSI C119.4: For Electric Connectors
- IEEE Std 592: For Exposed Semiconducting Shields