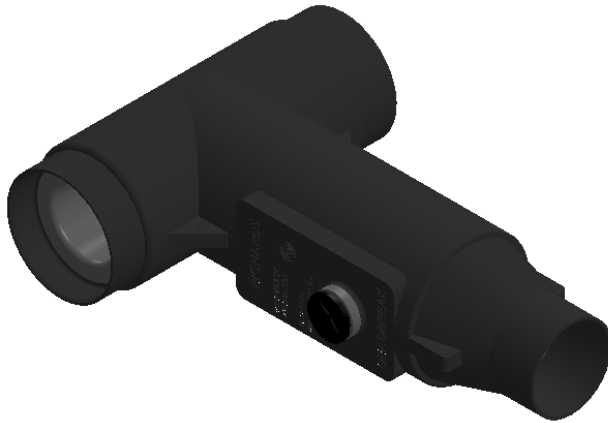
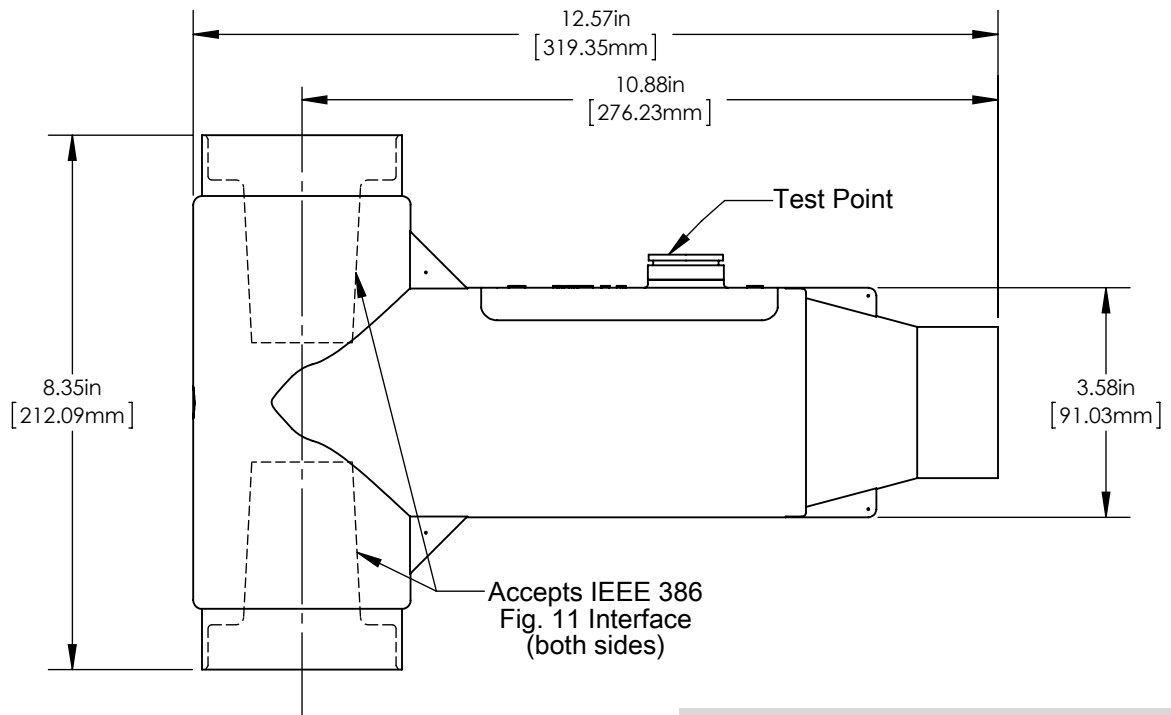


Product Specifications

15/25/28 kV 600A Deadbreak Elbow



Richards 15/25/28 kV 600A Deadbreak Elbow (62LCT) provides an easy way to terminate cables and equipment and splice primary cables at 15/25/28 kV.

The 600A elbow is fully shielded and features a bolted connection in either aluminum (600A) or copper (900A). Accessories are available for insulating, testing, grounding, and circuit expansion.

Product Ratings

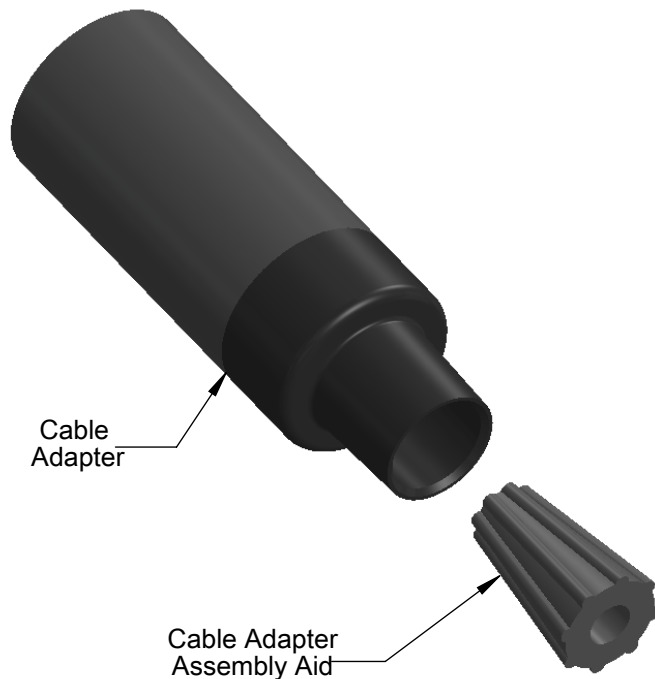
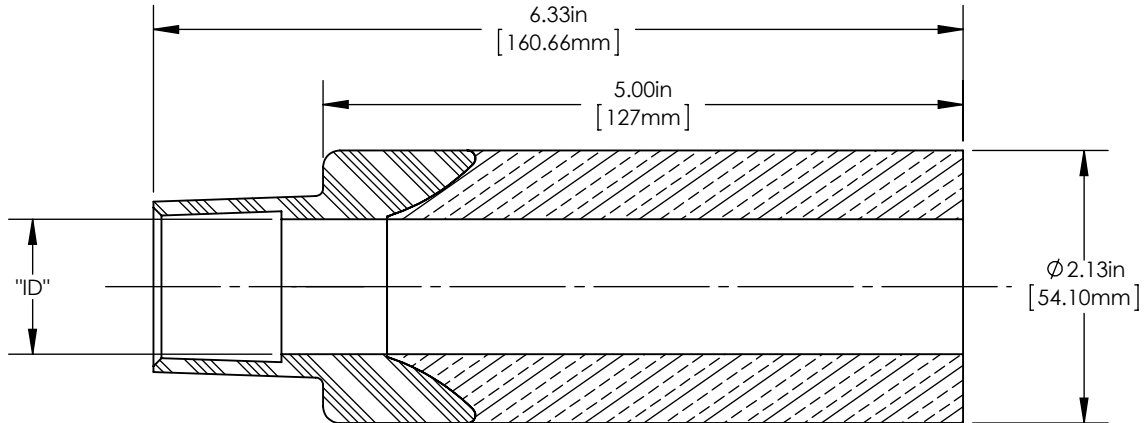
	15 kV	25/28 kV
Operating Voltage	9.5 kV	16.2 kV 28 kV L-L
Impulse Withstand	95 kV BIL	140 kV BIL
AC Withstand	34 kV	45 kV
DC Withstand	53 kV	84 kV
Partial Discharge	11 kV CEV	22 kV CEV
Momentary	25 kA, 10 cycles	
Continuous Current	600 Amp	

Richards 15/25/28 kV 600A Deadbreak Elbow (62LCT) was designed and validated against the following industry standards:

- ANSI/IEEE Std. 386: For Separable Insulated Connector Systems
- ANSI C119.4: For Electric Connectors
- IEEE Std. 592: For Exposed Semiconducting Shields

Product Specifications

15/25 kV Cable Adapter

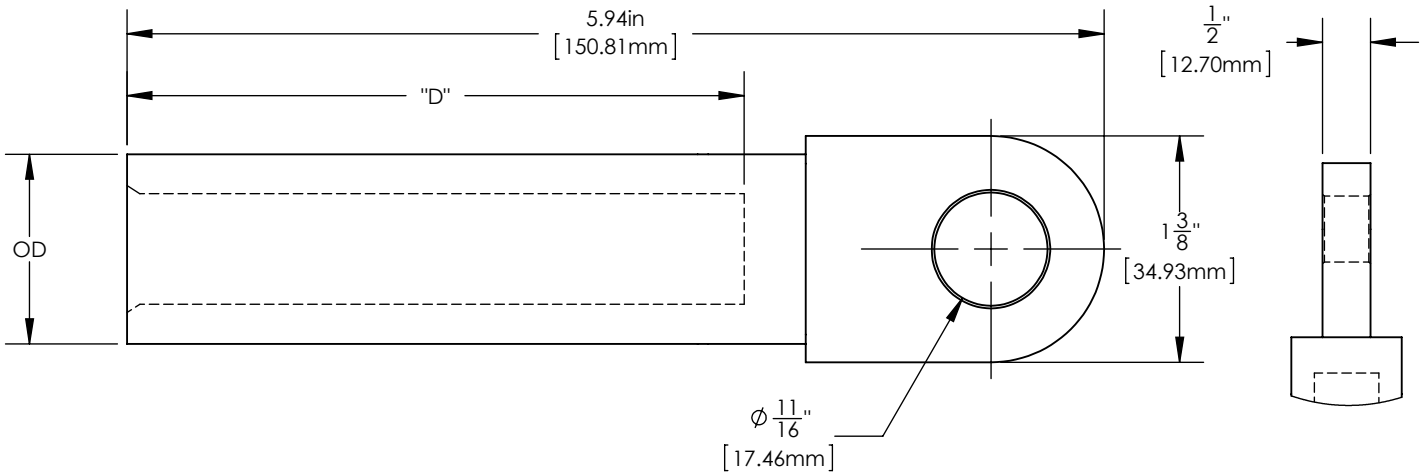


Size	Cable Range	
	in.	mm.
E	0.495 - 0.675	12.57 - 17.15
F	0.640 - 0.820	16.26 - 20.83
G	0.760 - 0.950	19.30 - 24.13
H	0.850 - 1.050	21.59 - 26.67
J	0.980 - 1.180	24.86 - 29.92
K	1.090 - 1.310	27.69 - 33.27
L	1.180 - 1.465	29.97 - 37.21
LM	1.280 - 1.480	32.51 - 37.59
M	1.370 - 1.630	34.80 - 41.40
MN	1.480 - 1.700	37.59 - 43.18
N	1.515 - 1.780	38.48 - 45.21
PA	1.665 - 1.785	42.29 - 45.34
P	1.725 - 1.935	43.82 - 49.15

Richards 15/25 kV Cable Adapters (P625CA) all come with a correctly sized assembly aid to ease installation.

Product Specifications

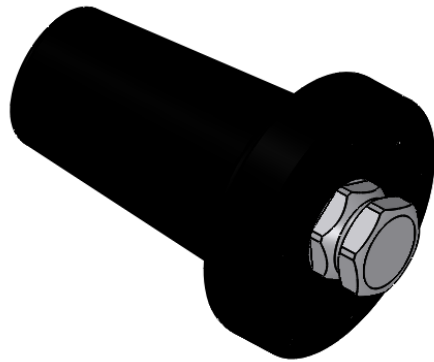
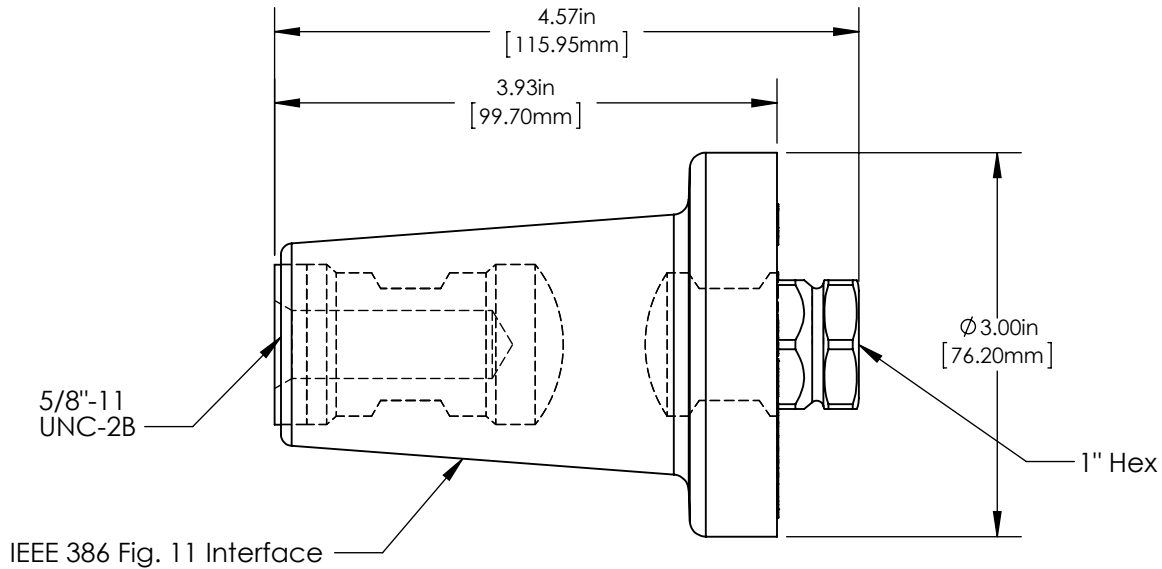
600 Amp Bi-Metal Compression Lug



Size	Outer Diameter	"D" (in.)	Cable Size	
			Compact	Compressed
07	0.850	3.500	#1	#2
08	0.850	3.500	1/0	#1
09	0.850	3.500	2/0	1/0
10	0.850	3.500	3/0	2/0
11	0.850	3.750	4/0	3/0
12	0.850	3.750	250	4/0
13	1.152	3.750	300	250
14	1.152	3.750	350	300
15	1.152	3.750	400	350
16	1.320	3.750	450	400
17	1.320	3.750	500/550	450
18	1.320	3.750	600	500
20	1.320	3.750	700	600
21-1	1.320	3.750	750/800	650
22	1.625	3.750	---	700
23	1.625	3.750	900	750
24	1.625	3.750	---	800
26	1.840	3.750	1000	900
28	1.840	3.750	---	1000
29	1.840	3.750	---	1250

Product Specifications

15/25/28 kV 900A Deadbreak Insulating Plug



Richards 15/25/28 kV 900A Deadbreak Insulating Plug (P925HIP) provides a means for shielding, sealing, and insulating 900A deadbreak interfaces (IEEE 386 Fig. 11).

Product Ratings

Operating Voltage	16.2 kV 28 kV L-L
Impulse Withstand	162 kV BIL
AC Withstand	45 kV
DC Withstand	84 kV
Partial Discharge	22 kV CEV

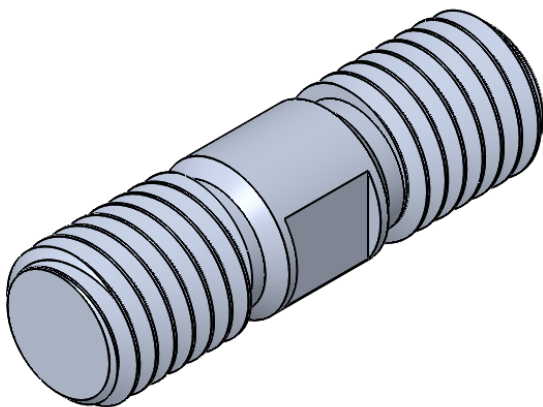
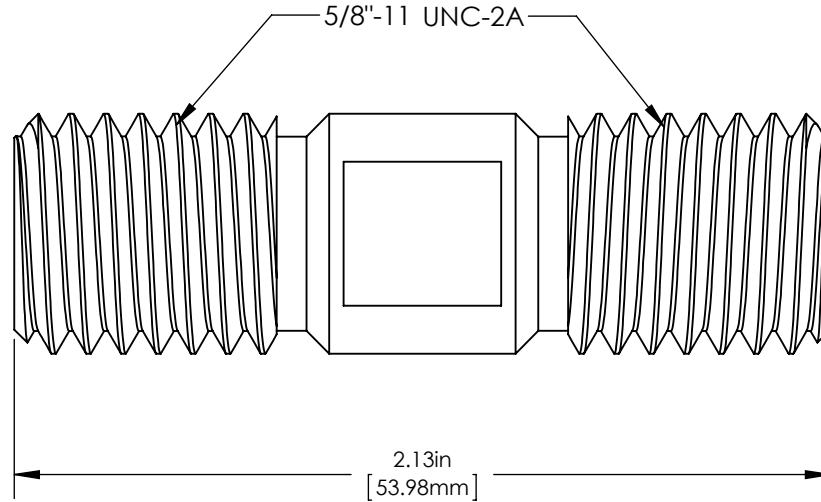
Richards 15/25/28 kV 600A Deadbreak Insulating Plug (P625HIP) was designed and validated against the following industry standards:

- ANSI/IEEE Std. 386: For Separable Insulated Connector Systems

Add -LS to include loose stud (P925HIP-LS)
Add -S to include factory installed stud (P925HIP-S)

Product Specifications

15/25kV Copper Stud



Richards 15/25kV Copper Stud is used to thread together two 15/25kV 600A deadbreak interfaces (IEEE 386 Fig. 11).

The stud threads are 5/8"-11 UNC-2A and meet the dimensional requirements of IEEE 386.