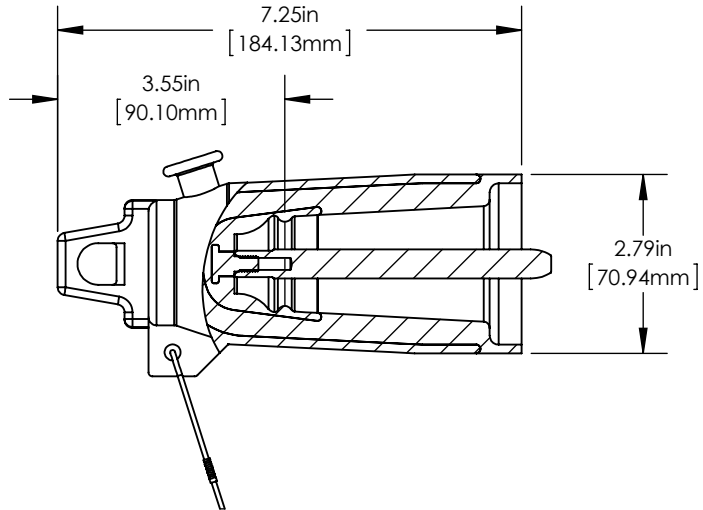
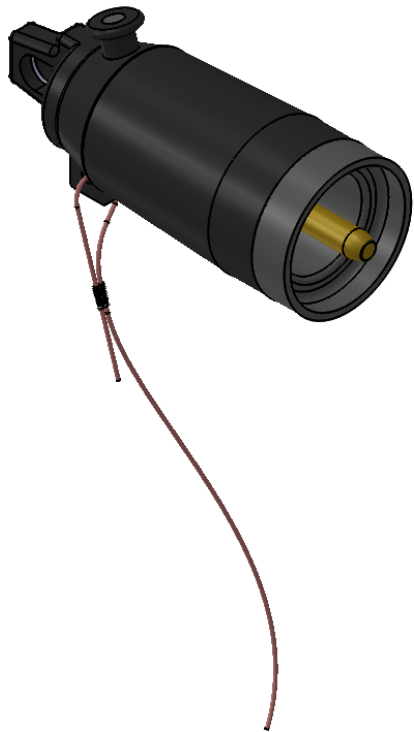


Product Specifications

25 kV 200A Loadbreak Insulating Cap



Richards 25 kV 200A Insulating cap (22LBICG) provides a means for shielding, sealing and insulating 200A loadbreak interfaces (IEEE 386, Fig. 7).

The 22LBICG is supplied with ground wire attached and can be operated using standard hotstick tools and safety equipment.

Product Ratings

Operating Voltage	15.2 kV L-G 26.3 kV L-L
Impulse Withstand	125 kV BIL
AC Withstand	40 kV
DC Withstand	78 kV
Partial Discharge	19 kV
Momentary	10 kA, 10 cycles

Richards (22LBICG) was designed and validated against the following industry standards:

- ANSI/IEEE Std. 386: For Separable Insulated Connector Systems
- ANSI C119.4: For Electric Connectors
- IEEE Std. 592: For Exposed Semiconducting Shields