

35kV R-Stack

Product Data Sheet

The Richards 35kV R-Stack is an innovative product that combines a Deadbreak Connecting Plug with a Deadbreak Elbow. The integration of multiple components into a single pre-assembled/pre-tested body increases reliability and simplifies installation.

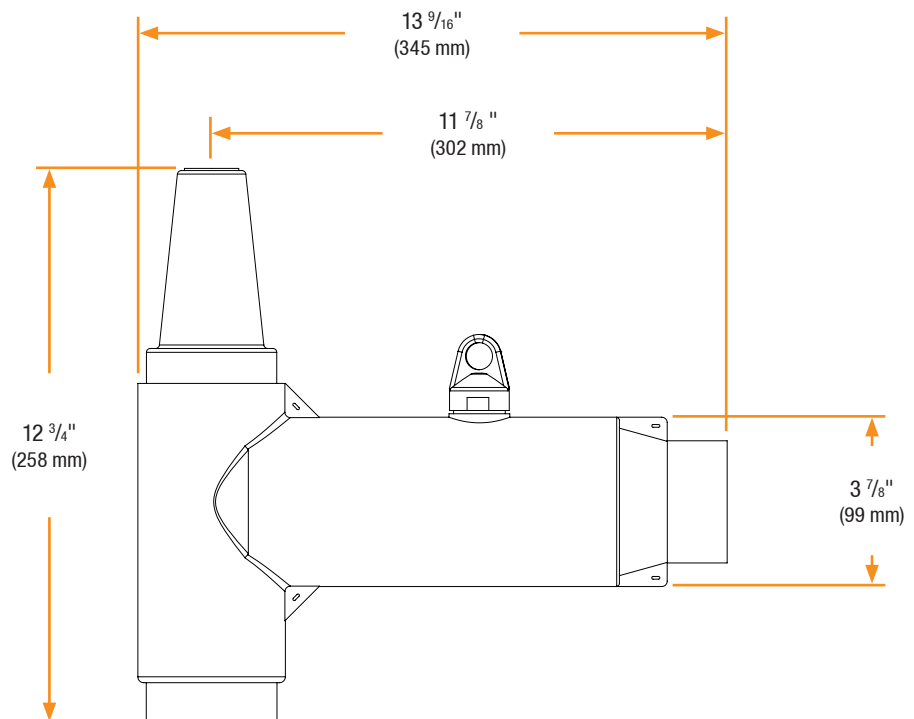
The R-Stack is ideal for installations where multiple Deadbreak Elbows need to be connected together. The R-Stack reduces the number of components, interfaces, effort, and stack height. This results in a simpler and quicker installation with less chance of contamination or installation error. It also reduces the number of components stored in inventory.



Features

- Combines Connecting Plug and Deadbreak Elbow
- Available in multiple configurations to meet every application
- Reduces stack height, inventory, and installation costs
- 100% EPDM Composition
- Injection Molded & Peroxide-Cured
- Made in the USA
- Fully-Shielded/Deadfront
- Submersible
- Optional Capacitive Test Point

Basic Dimensions



35kV R-Stack

Product Ratings

Voltage Ratings	
Maximum Voltage Rating – (phase to ground)	21.1kV
Corona Voltage Level – (partial discharge extinction voltage)	26kV
AC Withstand – (1 minute)	50kV
Impulse-Withstand Voltage – (BIL)	162kV BIL [®]

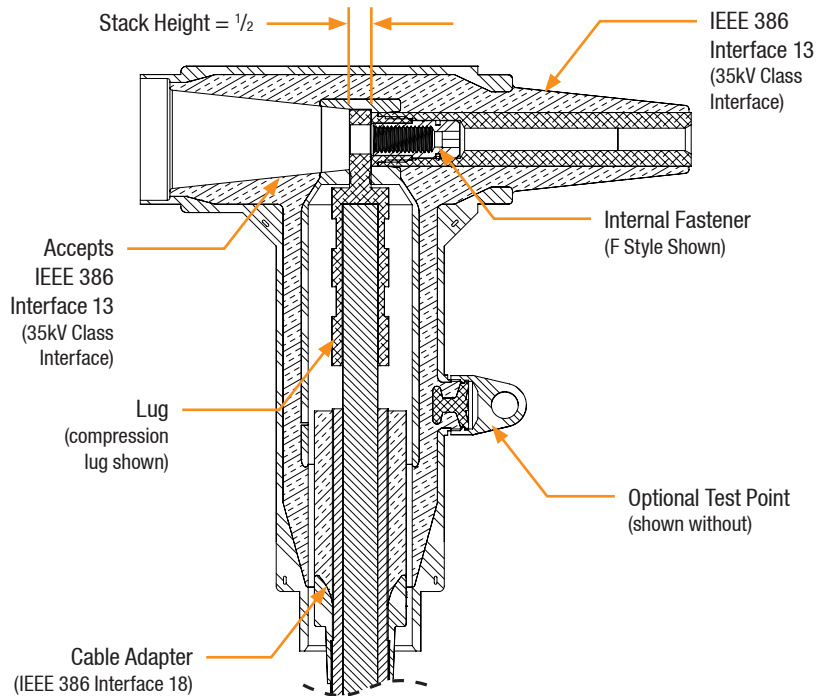
Continuous Current Ratings	
Aluminum	600A
Copper	900A

Short-Time Current Ratings	
Aluminum	40kA, 10c. and 10kA, 3s. [®]
Copper	40kA, 10c. and 10kA, 3s.

The 35kV R-Stack is qualified to the following industry standards:

- IEEE Std 386: For Separable Insulated Connector Systems
- ANSI C119.4: For Electric Connectors
- IEEE Std 592: For Exposed Semiconducting Shields

Detail View



Production Testing

IEEE requires a Partial Discharge test and choice between AC withstand and Impulse.

Richards runs 3/3 tests on **all** Medium Voltage products governed by IEEE 386. [®]

100% Routine Electrical Test:

- Partial Discharge
- AC Withstand
- Impulse Withstand

[®] Exceeds IEEE 386 requirement

Related Products

P635HIP-STUD 35kV Aluminum Threaded Stud	P6AL-X Aluminum Compression Lug	P6ALR-X & P7ALCU-X Aluminum Range Taking Lug	P635CA-W 35kV Cable Adapter	P635HIP 35kV Aluminum Insulating Plug
P935HIP-STUD 35kV Copper Threaded Stud	P9CU-X Copper Compression Lug	P7ALCU-X Copper Range Taking Lug	63RSA SERIES 35kV R-Stack Surge Arrester - all duty cycles	P935HIP 35kV Copper Insulating Plug

R-Stack Fastener Styles

Fastener Type:	Installation Torque	Tool Size	Includes Tool	Lug	Male or Female*	One-Piece Design
B	55 ft-lbs	3/8"	Yes	Standard Hole	Male	Yes
F					Female	

* Female R-Stack's come with a loose threaded stud. Male R-Stack's have the threaded stud built into the fastener.