

35kV Bushing Extender

Product Data Sheet

Richards 35kV 600A (P635BE) and 900A (P935BE) Bushing Extender provides an insulated, fully shielded connection between an apparatus bushing and another 35kV Deadbreak interface connection.

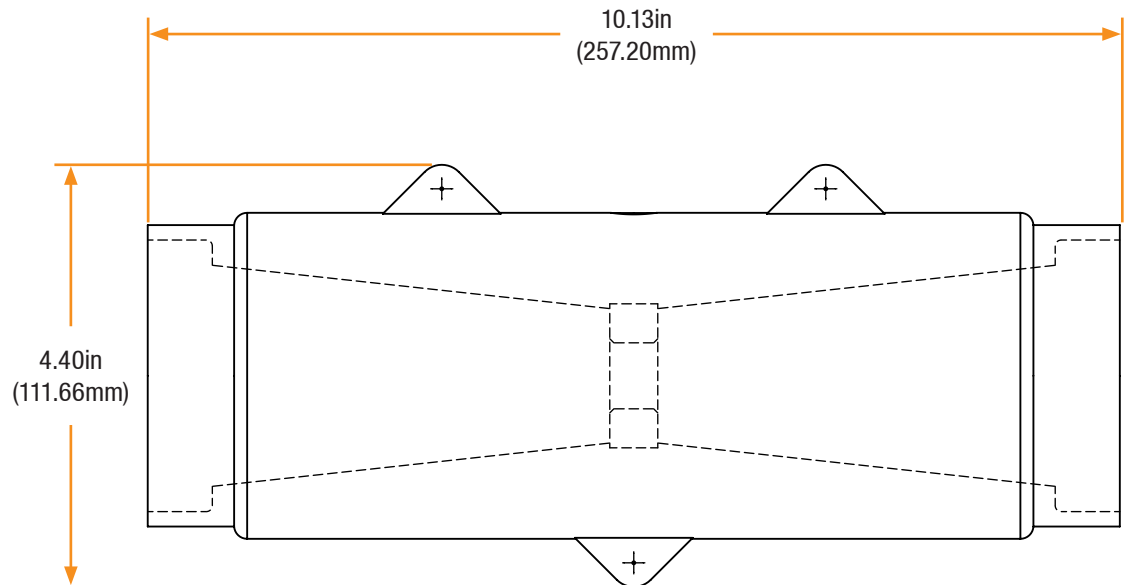
Deadbreak Bushing Extenders can be used for spacing purposes as well as for accommodating other 35kV Deadbreak accessories.



Features

- 100% EPDM Composition
- Injection Molded & Peroxide-Cured
- Made in the USA
- Fully-Shielded/Deadfront
- Submersible

Basic Dimensions



35kV Bushing Extender

Installation

35kV Bushing Extender installation is covered by: **RP-II-BE**

Related Products

P635HIP-STUD

35kV Aluminum Threaded Stud

P935HIP-STUD

35kV Copper Threaded Stud

P635HIP

35kV Aluminum Insulating Plug

P935HIP

35kV Copper Insulating Plug

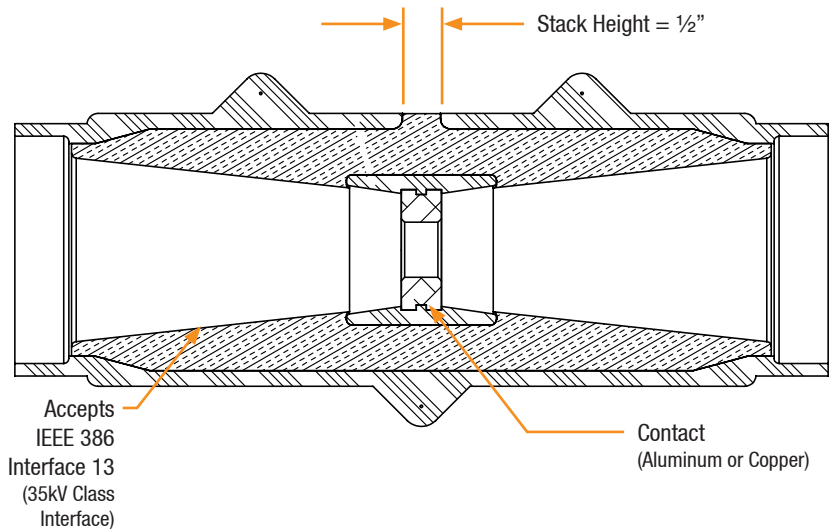
P635CP

35kV Aluminum Connecting Plug

P935CP

35kV Copper Connecting Plug

Detail View



Production Testing

IEEE requires a Partial Discharge test and choice between AC withstand and Impulse.

Richards runs 3/3 tests on **all** Medium Voltage products governed by IEEE 386. [®]

100% Routine Electrical Test:

- Partial Discharge
- AC Withstand
- Impulse Withstand

Richards Bushing Extenders are designed to allow for production testing at 200kV BIL. For more information see our 200kV BIL Product Data Sheets or contact the factory.

Product Ratings

Voltage Ratings

Maximum Voltage Rating – (phase to ground)	21.1kV
Corona Voltage Level – (partial discharge extinction voltage)	26kV
AC Withstand – (1 minute)	50kV
Impulse-Withstand Voltage – (BIL)	162kV BIL [®]

Continuous Current Ratings

Aluminum	600A
Copper	900A

Short-Time Current Ratings

Aluminum	40kA, 10c. and 10kA, 3s. [®]
Copper	40kA, 10c. and 10kA, 3s.

The 35kV Bushing Extender is qualified to the following industry standards:

- IEEE Std 386: For Separable Insulated Connector Systems
- ANSI C119.4: For Electric Connectors
- IEEE Std 592: For Exposed Semiconducting Shields

[®] Exceeds IEEE 386 requirement