

# 35kV Deadbreak Junctions

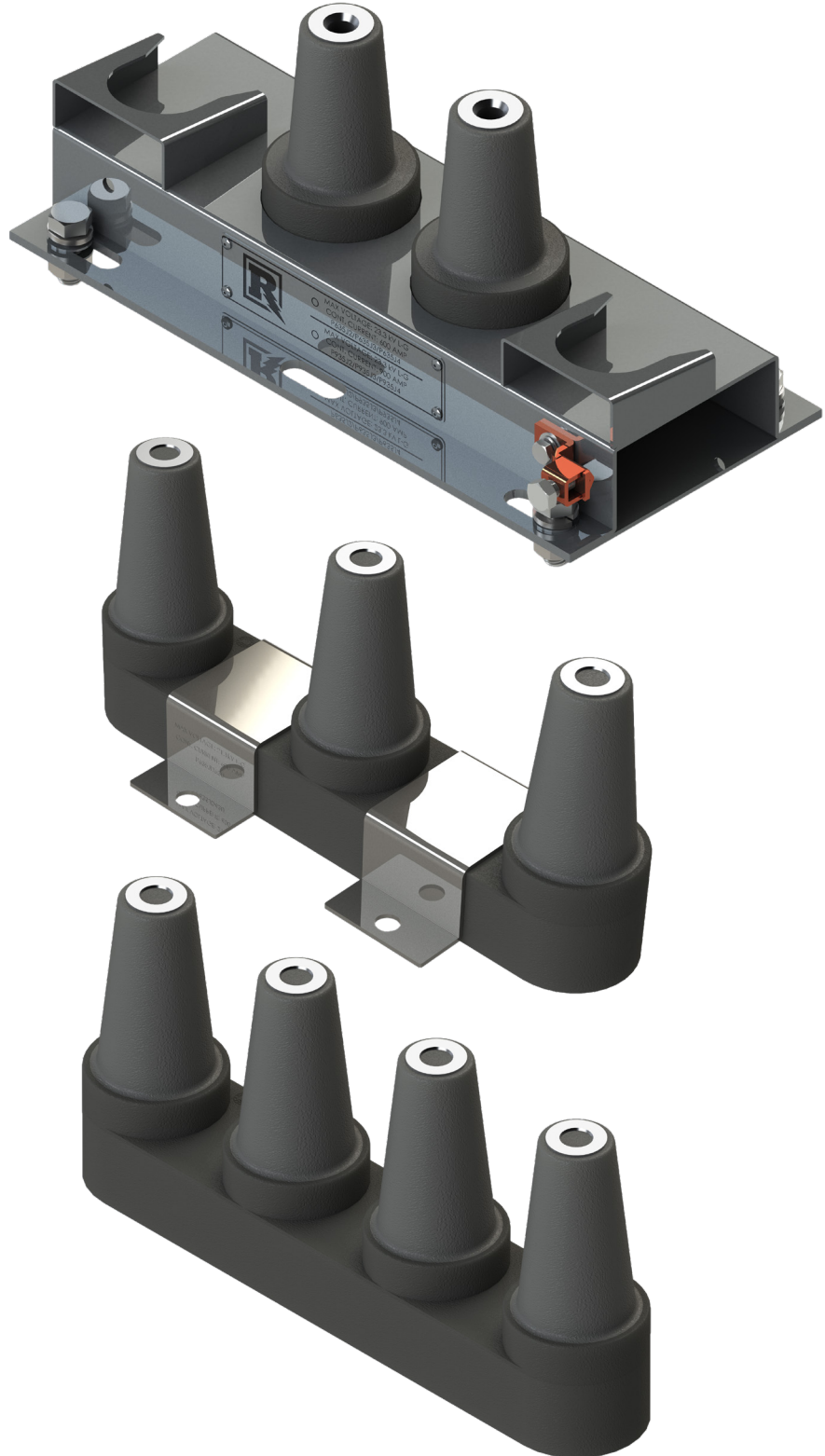
Product Data Sheet

The 35kV Deadbreak Junction provides multiple 600 or 900A 35kV Deadbreak Bushing interfaces (IEEE 386, Interface 13) connected to a common contact. Junctions are commonly installed in enclosures but also can be mounted directly to an underground structure such as the wall of a vault.

They can be ordered molded with an Aluminum (600A) or a Copper contact (900A). Three configurations are available: 2-Position, 3-Position and 4-Position. Kits are available with U-Straps or Brackets for mounting purposes. Deadbreak Junctions are available with either 4" or 6" spacing between interfaces. For dimensional information, see the last page of this Product Data Sheet.

## Features

- Injection Molded & Peroxide-Cured EPDM
- Made in the USA
- Fully-Shielded/Deadfront



# 35kV Deadbreak Junctions

## Installation

35kV Deadbreak Junction installation is covered by:  
**RP-II-JX**

## Related Products

### P635HIP-STUD

35kV Aluminum Threaded Stud

### P935HIP-STUD

35kV Copper Threaded Stud

### 63LCN/63LCT

35kV Deabreak Elbow

### 93LCN/93LCT

35kV Deabreak Elbow

### P6AL-X

Aluminum Compression Connector

### P9CU-X

Copper Compression Connector

### P7ALCU-X

Copper-Top Compression Connector

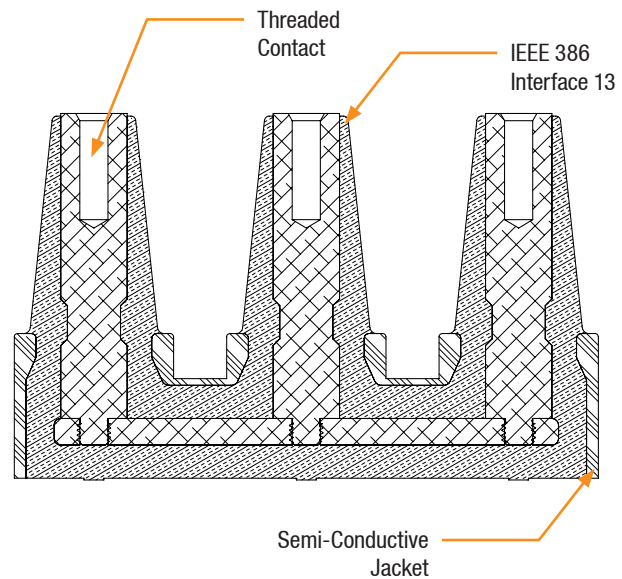
### P635IC

35kV Aluminum Insulating Cap

### P935IC

35kV Copper Insulating Cap

## Detail View



## Production Testing

IEEE requires a Partial Discharge test and choice between AC withstand and Impulse.

Richards runs 3/3 tests on **all** Medium Voltage products governed by IEEE 386. <sup>®</sup>

### 100% Routine Electrical Test:

- Partial Discharge
- AC Withstand
- Impulse Withstand

Richards Deadbreak Junctions are designed to allow for production testing at 200kV BIL. For more information see our 200kV BIL Product Data Sheets or contact the factory.

## Product Ratings

| Voltage Ratings   |                        |
|---|------------------------|
| Maximum Voltage Rating – (phase to ground)                    | 21.1kV                 |
| Corona Voltage Level – (partial discharge extinction voltage) | 26kV                   |
| AC Withstand – (1 minute)                                     | 50kV                   |
| Impulse-Withstand Voltage – (BIL)                             | 162kV BIL <sup>®</sup> |

| Continuous Current Ratings |      |
|----------------------------|------|
| Aluminum                   | 600A |
| Copper                     | 900A |

| Short-Time Current Ratings |                                       |
|----------------------------|---------------------------------------|
| Aluminum                   | 40kA, 10c. and 10kA, 3s. <sup>®</sup> |
| Copper                     | 40kA, 10c. and 10kA, 3s.              |

The 35kV Deadbreak Junction is qualified to the following industry standards:

- IEEE Std 386: For Separable Insulated Connector Systems
- ANSI C119.4: For Electric Connectors
- IEEE Std 592: For Exposed Semiconducting Shields

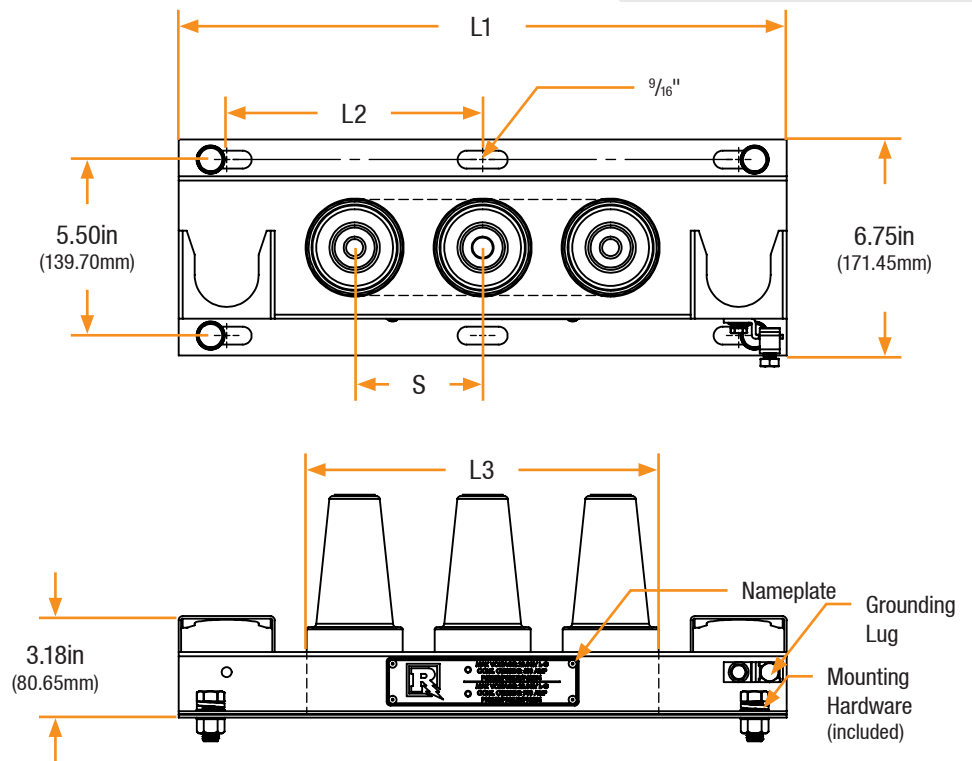
<sup>®</sup> Exceeds IEEE 386 requirement

# 35kV Deadbreak Junctions

Dimensional Chart

| # Of Positions | Spacing (S) | L1  | L2  | L3  |
|----------------|-------------|-----|-----|-----|
| 2              | 4"          | 15" | 6"  | 7"  |
|                | 6"          | 21" | 9"  | 9"  |
| 3              | 4"          | 19" | 8"  | 11" |
|                | 6"          | 27" | 12" | 15" |
| 4              | 4"          | 23" | 10" | 15" |
|                | 6"          | 33" | 15" | 21" |

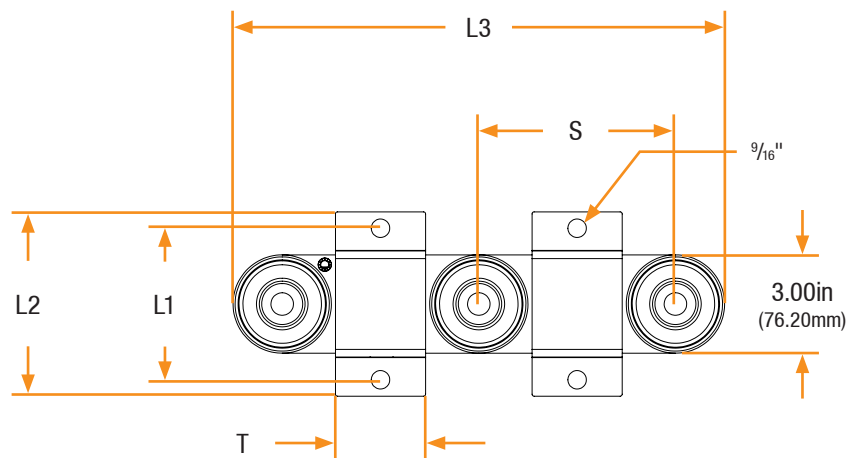
Junction Dimensions - Bracket



Dimensional Chart

| # Of Positions | Spacing (S) | T      | L1*    | L2     | L3  |
|----------------|-------------|--------|--------|--------|-----|
| 2              | 4"          | 2 3/4" | 4 5/8" | 5 5/8" | 7"  |
|                | 6"          | 2 3/4" | 4 5/8" | 5 5/8" | 9"  |
| 3              | 4"          | 2 3/4" | 4 5/8" | 5 5/8" | 11" |
|                | 6"          | 2 3/4" | 4 5/8" | 5 5/8" | 15" |
| 4              | 4"          | 2 3/4" | 4 5/8" | 5 5/8" | 15" |
|                | 6"          | 2 3/4" | 4 5/8" | 5 5/8" | 21" |

Junction Dimensions - U Straps



\* U Straps for 4" spaced Junctions are available with 5" hole to hole spacing. Contact factory for more information.