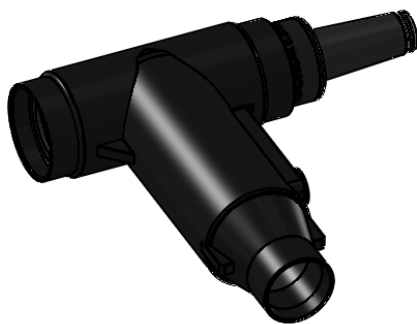
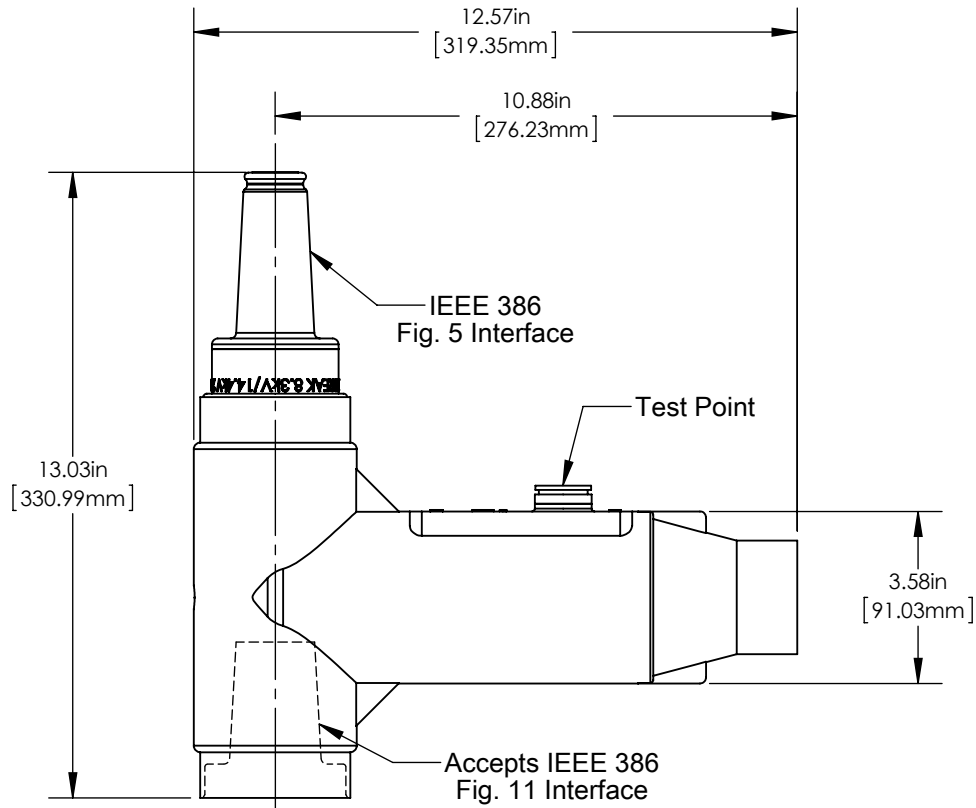


Product Specifications

15 kV R-800, Male



Richards 15 kV R800 (618MT) is a 600A elbow with a 200A loadbreak tap molded into the body. This combination design reduces the number of components, time, and effort required for installation.

The R800 male version is fully shielded and features a male fastener for assembly to the bushing.

Product Ratings

Operating Voltage	9.5 kV
Impulse Withstand	95 kV BIL
AC Withstand	34 kV
DC Withstand	53 kV
Partial Discharge	11 kV CEV

Richards 15 kV R-800, Male (618MT) was designed and validated against the following industry standards:

- ANSI/IEEE Std. 386: For Separable Insulated Connector Systems
- ANSI C119.4: For Electric Connectors
- IEEE Std. 592: For Exposed Semiconducting Shields