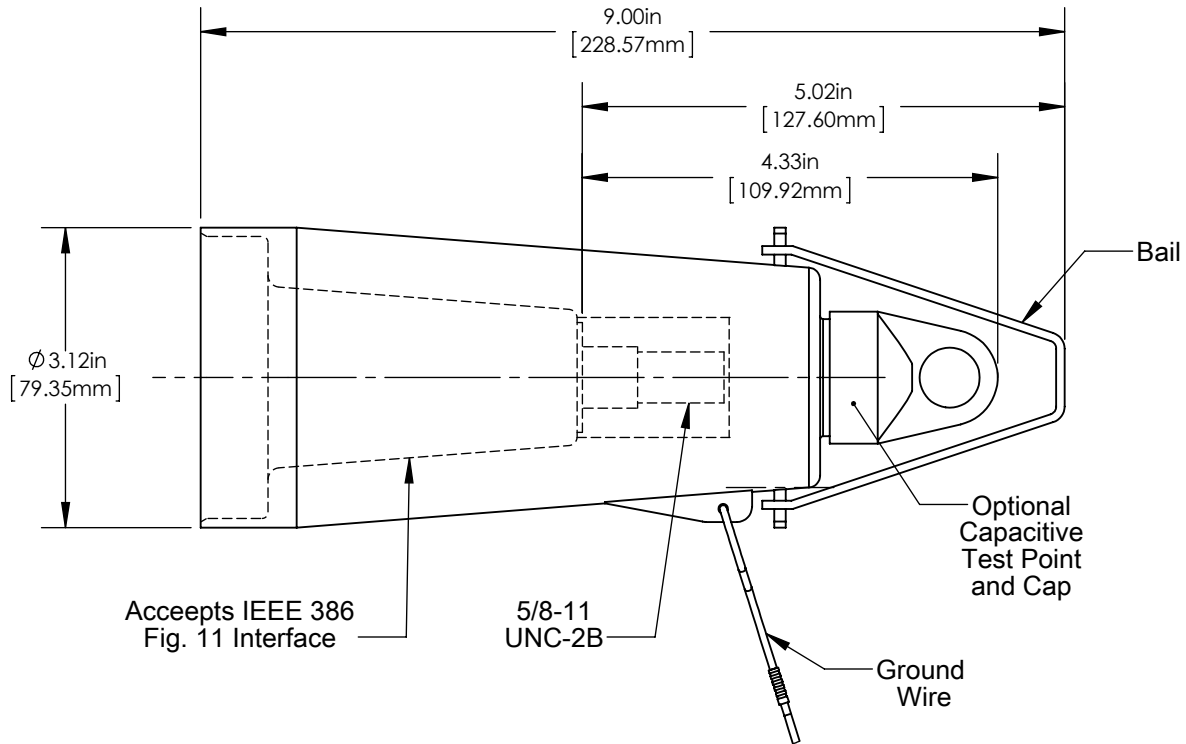


Product Specifications

15/25 kV 900A Insulating Cap



Richards 15/25 kV 900A Insulating Cap (P9251C) provides a means for shielding, sealing and insulating 900A deadbreak interfaces (IEEE 386, Fig. 11).

The P9251C is supplied with ground wire attached and is available with or without capacitive test point for voltage detection.

Product Ratings

Operating Voltage	16.2 kV L-G 28 kV L-L
Impulse Withstand	140 kV BIL
AC Withstand	45 kV
DC Withstand	84 kV
Partial Discharge	22 kV CEV
Momentary	25 kA, 10 cycles

Richards 15/25 kV 900A Insulating Cap (P9251C) was designed and validated against the following industry standards:

- ANSI/IEEE Std. 386: For Separable Insulated Connector Systems
- ANSI C119.4: For Electric Connectors
- IEEE Std. 592: For Exposed Semiconducting Shields