

# 15/25kV Deadbreak Insulating Plug

Product Data Sheet

The Richards 15/25kV Deadbreak Insulating Plug provides a means for insulating a 15/25kV Deadbreak Elbow or Bushing Extender. The Insulating Plug has an internal threaded contact that engages a threaded stud. The Deadbreak Insulating Plug is available with an Aluminum (600A) or Copper contact (900A). Each Insulating Plug has a molded-in hex nut used for installation. The hex nut also doubles as a capacitive test point. Included with every Insulating Plug is an EPDM rubber cap that is installed onto the molded-in hex nut. These rubber caps have an eyelet for installation and removal.

To order with a loose threaded stud, add "-LS" to the part number.

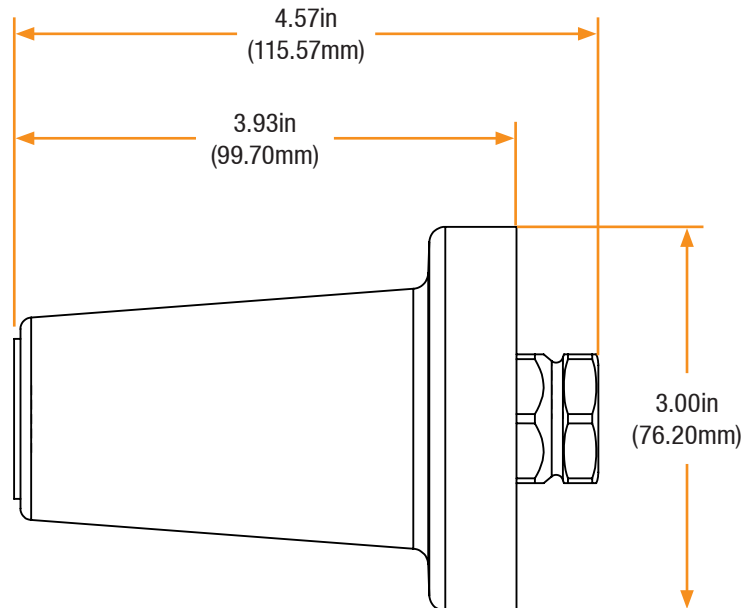
To order with a factory-installed threaded stud, add "-S" to the part number.



## Features

- Injection Molded Epoxy Composition
- Made in the USA
- Capacitive Test Point (Hex Nut)

## Basic Dimensions



# 15/25kV Deadbreak Insulating Plug

## Installation

Insulating Plug P625HIP/P925HIP installation is covered by:  
**RP-II-PLUGWELL**

## Related Products

### P625HIP-STUD

15/25kV Aluminum Threaded Stud

### P925HIP-STUD

15/25kV Copper Threaded Stud

### 62LCN/62LCT

15/25kV Deabreak Elbow

### 92LCN/92LCT

15/25kV Deabreak Elbow

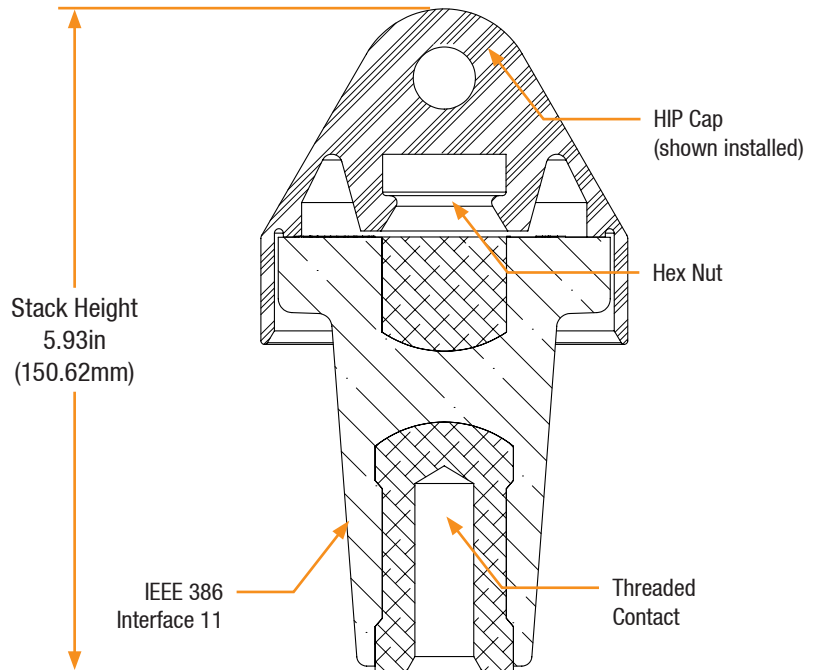
### P625IC

15/25kV Aluminum Insulating Cap

### P925IC

15/25kV Copper Insulating Cap

## Detail View



## Production Testing

IEEE requires a Partial Discharge test and choice between AC withstand and Impulse.

Richards runs 3/3 tests on **all** Medium Voltage products governed by IEEE 386. <sup>®</sup>

### 100% Routine Electrical Test:

- Partial Discharge
- AC Withstand
- Impulse Withstand

## Product Ratings

Voltage Ratings	
Maximum Voltage Rating – (phase to ground)	15.2kV
Corona Voltage Level – (partial discharge extinction voltage)	22kV <sup>®</sup>
AC Withstand – (1 minute)	42kV <sup>®</sup>
Impulse-Withstand Voltage – (BIL)	162kV BIL <sup>®</sup>

Continuous Current Ratings	
Aluminum	600A
Copper	900A

Short-Time Current Ratings	
Aluminum	40kA, 10c. and 10kA, 3s. <sup>®</sup>
Copper	40kA, 10c. and 10kA, 3s.

The 15/25kV Deadbreak Insulating Plug is qualified to the following industry standards:

- IEEE Std 386: For Separable Insulated Connector Systems
- ANSI C119.4: For Electric Connectors
- IEEE Std 592: For Exposed Semiconducting Shields

<sup>®</sup> Exceeds IEEE 386 requirement