

15/25kV Deadbreak Junctions

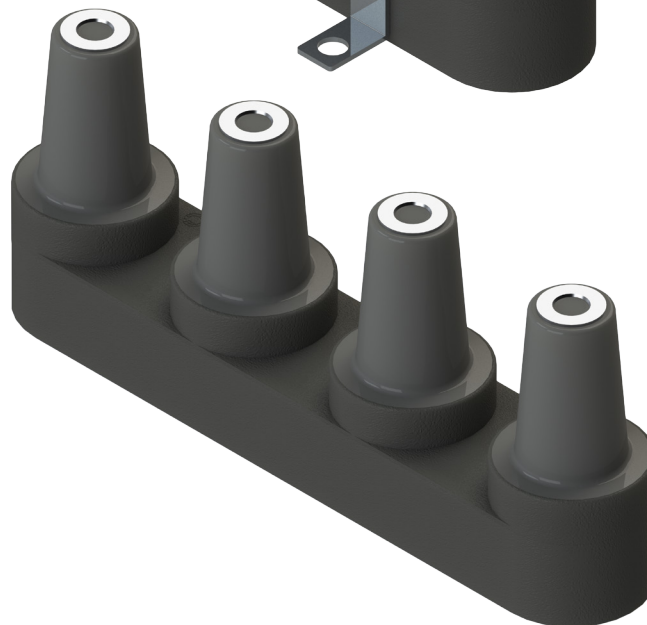
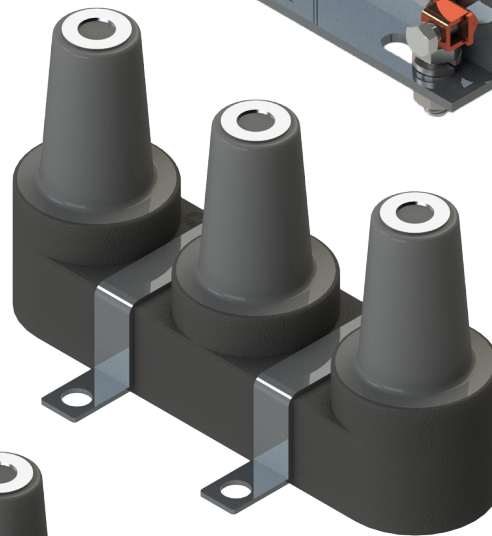
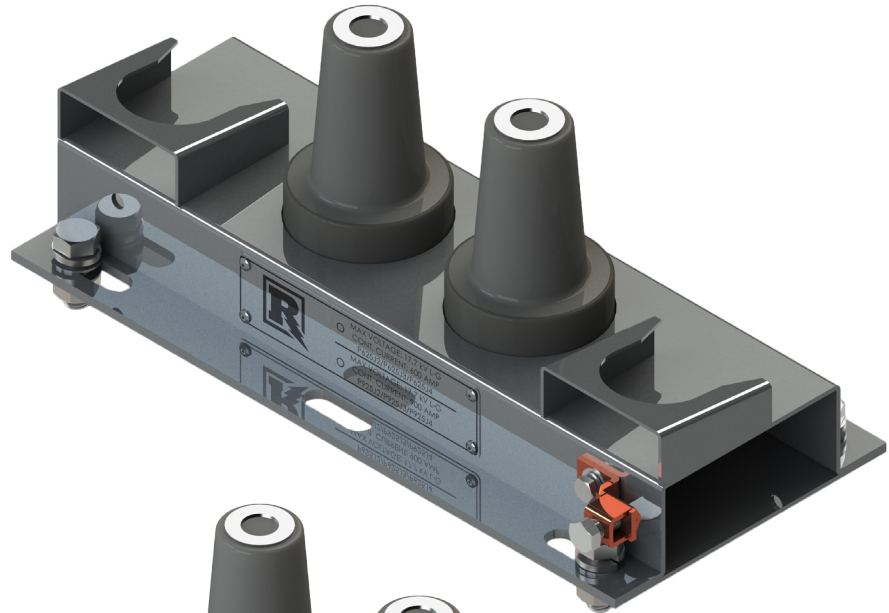
Product Data Sheet

The 15/25kV Deadbreak Junction provides multiple 600 or 900A 15/25kV Deadbreak Bushing interfaces (IEEE 386, Interface 11) connected to a common contact. Junctions are commonly installed in enclosures but also can be mounted directly to an underground structure such as the wall of a vault.

They can be ordered molded with an Aluminum (600A) or a Copper contact (900A). Three configurations are available: 2-Position, 3-Position and 4-Position. Kits are available with U-Straps or Brackets for mounting purposes. Deadbreak Junctions are available with either 4" or 6" spacing between interfaces. For dimensional information, see the last page of this Product Data Sheet.

Features

- Injection Molded & Peroxide-Cured EPDM
- Made in the USA
- Fully-Shielded/Deadfront



15/25kV Deadbreak Junctions

Installation

15/25kV Deadbreak Junction installation is covered by:
RP-II-JX

Related Products

P625HIP-STUD

15/25kV Aluminum Threaded Stud

P925HIP-STUD

15/25kV Copper Threaded Stud

62LCN/62LCT

15/25kV Deabreak Elbow

92LCN/92LCT

15/25kV Deabreak Elbow

P6AL-X

Aluminum Compression Connector

P9CU-X

Copper Compression Connector

P7ALCU-X

Copper-Top Compression Connector

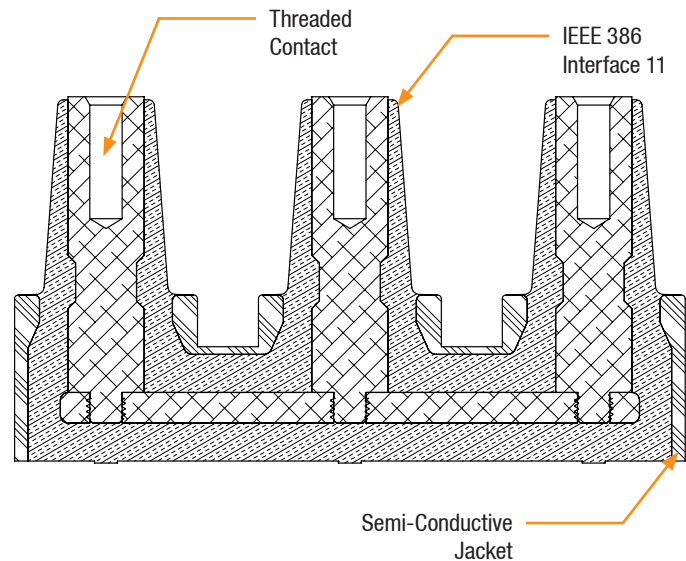
P625IC

15/25kV Aluminum Insulating Cap

P925IC

15/25kV Copper Insulating Cap

Detail View



Production Testing

IEEE requires a Partial Discharge test and choice between AC withstand and Impulse. Richards runs 3/3 tests on **all** Medium Voltage products governed by IEEE 386. [®]

100% Routine Electrical Test:

- Partial Discharge
- AC Withstand
- Impulse Withstand

Product Ratings

Voltage Ratings	
Maximum Voltage Rating – (phase to ground)	15.2kV
Corona Voltage Level – (partial discharge extinction voltage)	22kV [®]
AC Withstand – (1 minute)	42kV [®]
Impulse-Withstand Voltage – (BIL)	162kV BIL [®]

Continuous Current Ratings	
Aluminum	600A
Copper	900A

Short-Time Current Ratings	
Aluminum	40kA, 10c. and 10kA, 3s. [®]
Copper	40kA, 10c. and 10kA, 3s.

The 15/25kV Deadbreak Junction is qualified to the following industry standards:

- IEEE Std 386: For Separable Insulated Connector Systems
- ANSI C119.4: For Electric Connectors
- IEEE Std 592: For Exposed Semiconducting Shields

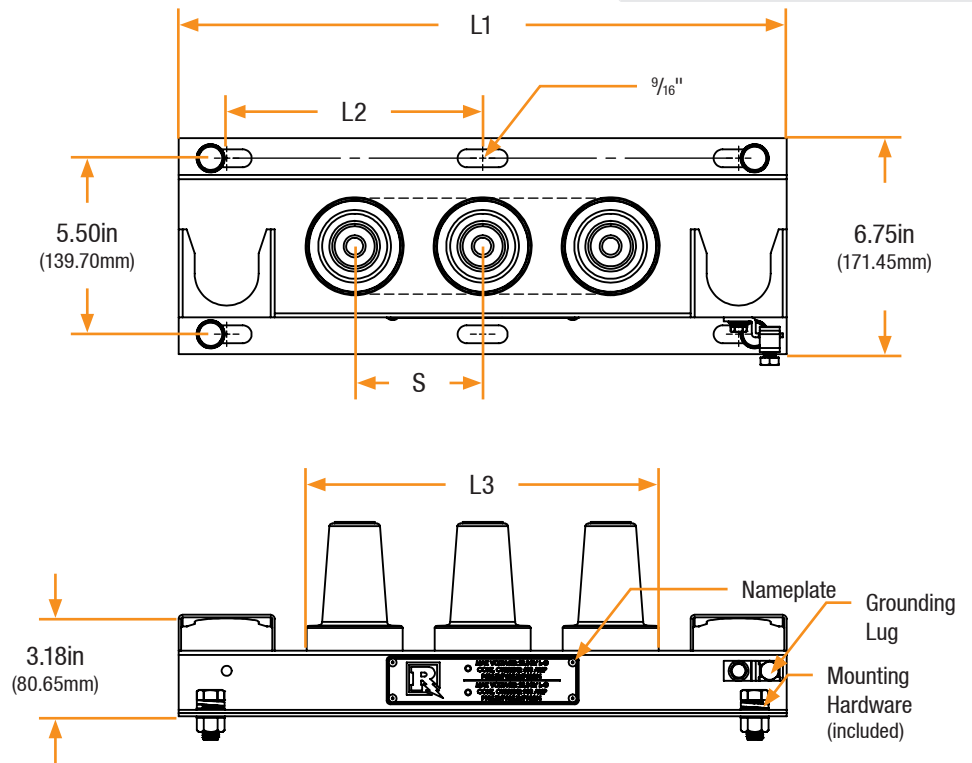
[®] Exceeds IEEE 386 requirement

15/25kV Deadbreak Junctions

Dimensional Chart

# Of Positions	Spacing (S)	L1	L2	L3
2	4"	15"	6"	7"
	6"	21"	9"	9"
3	4"	19"	8"	11"
	6"	27"	12"	15"
4	4"	23"	10"	15"
	6"	33"	15"	21"

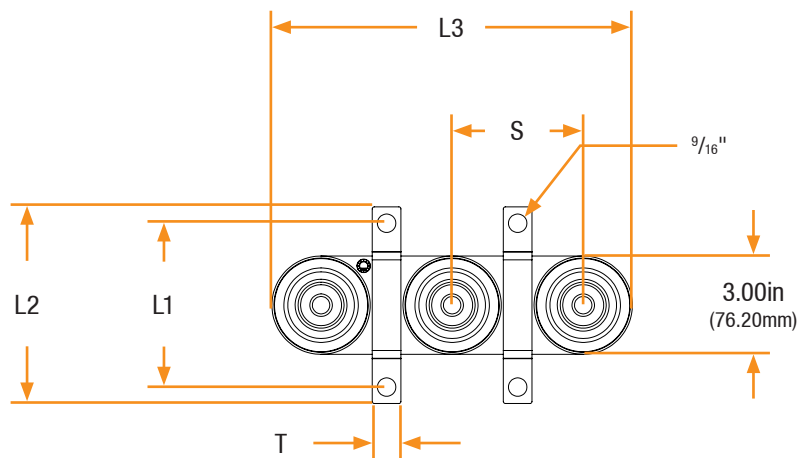
Junction Dimensions - Bracket



Dimensional Chart

# Of Positions	Spacing (S)	T	L1*	L2	L3
2	4"	2 3/4"	4 5/8"	5 5/8"	7"
	6"	2 3/4"	4 5/8"	5 5/8"	9"
3	4"	2 3/4"	4 5/8"	5 5/8"	11"
	6"	2 3/4"	4 5/8"	5 5/8"	15"
4	4"	2 3/4"	4 5/8"	5 5/8"	15"
	6"	2 3/4"	4 5/8"	5 5/8"	21"

Junction Dimensions - U Straps



* U Straps for 4" spaced Junctions are available with 5" hole to hole spacing. Contact factory for more information.