

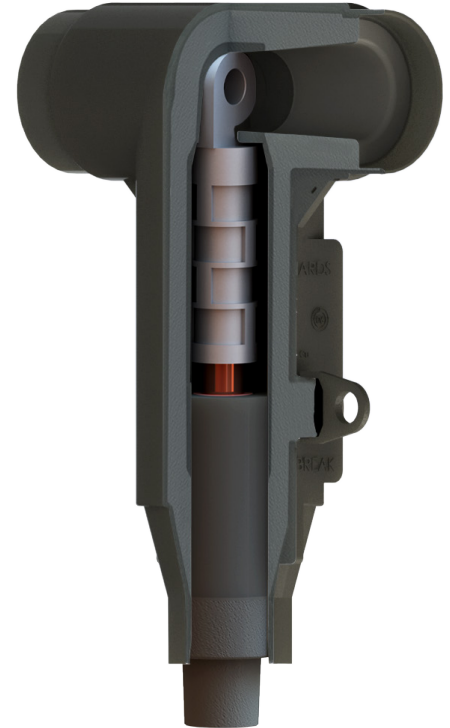
15/25/28kV Deadbreak Elbow

Product Data Sheet

The Richards 15/25/28kV Deadbreak Elbow is a medium voltage cable accessory used to terminate/splice cables and equipment rated up to 28kV Class.

Our Elbow is molded in the USA from EPDM compounds produced in-house by our polymer production division. The Deadbreak "T-body" is fully-shielded, submersible and available with or without a capacitive test point.

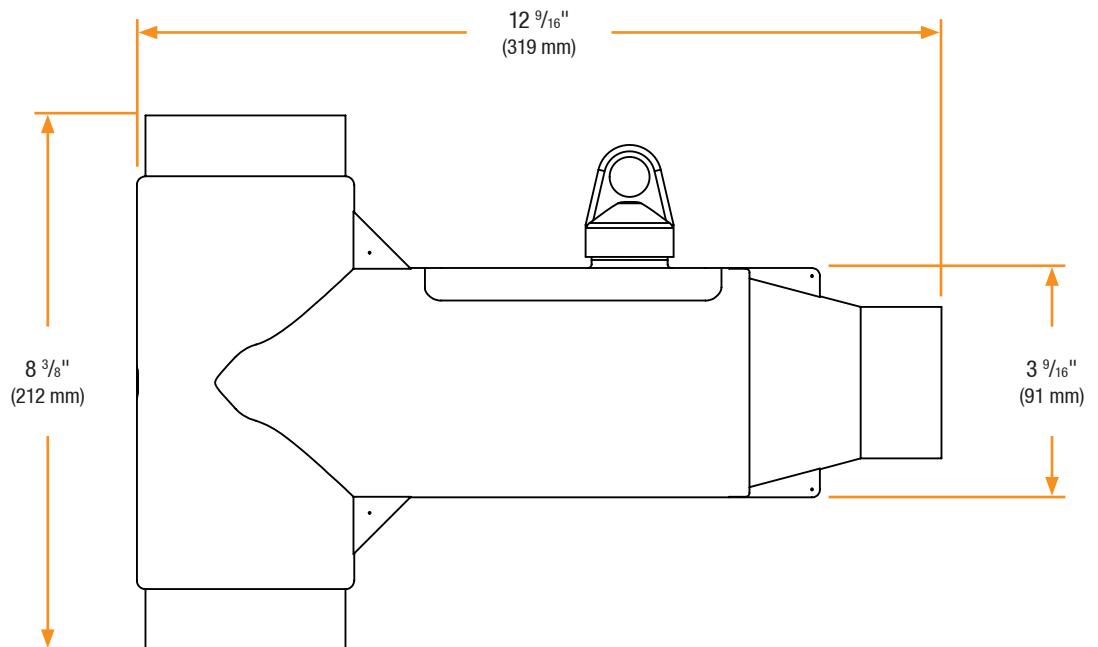
A variety of accessories are available for insulating, testing, grounding and paralleling circuits. The current-rating of the Deadbreak Elbow housing is determined by the metallic components utilized to make the connection. If all-copper components are used, the Deadbreak Elbow assembly has a 900A rating. Otherwise, the assembly is rated for 600A.



Features

- 100% EPDM Composition
- Injection Molded & Peroxide-Cured
- Made in the USA
- Fully-Shielded/Deadfront
- Submersible
- Optional Capacitive Test Point

Basic Dimensions



15/25/28kV Deadbreak Elbow

Installation

15/25/28kV Deadbreak Elbow installation is covered by:
RP-II-62LCN

Related Products

P625HIP-STUD

15/25/28kV Aluminum Threaded Stud

P925HIP-STUD

15/25/28kV Copper Threaded Stud

P6AL-X

Aluminum Compression Lug

P9CU-X

Copper Compression Lug

P6ALR-X

Aluminum Range Taking Lug

P7ALCU-X

Copper-Top Compression Lug

P625CA-W

15/25/28kV Cable Adapter

P625HIP

15/25/28kV Aluminum Insulating Plug

P925HIP

15/25/28kV Copper Insulating Plug

Production Testing

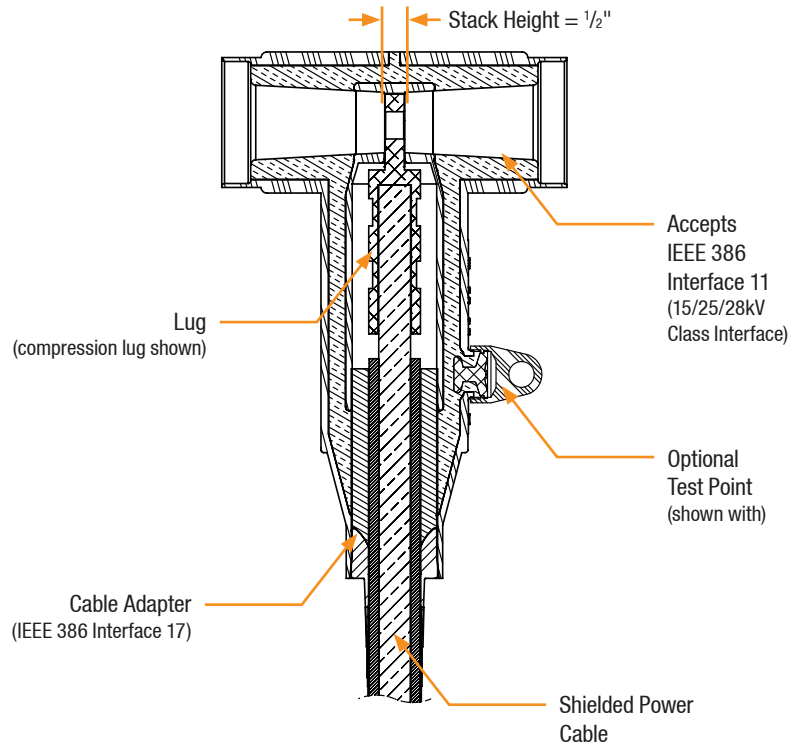
IEEE requires a Partial Discharge test and choice between AC withstand and Impulse.

Richards runs 3/3 tests on *all* Medium Voltage products governed by IEEE 386. [®]

100% Routine Electrical Test:

- Partial Discharge
- AC Withstand
- Impulse Withstand

Detail View



Product Ratings

Voltage Ratings	
Maximum Voltage Rating – (phase to ground)	16.2kV
Corona Voltage Level – (partial discharge extinction voltage)	30kV [®]
AC Withstand – (1 minute)	45kV [®]
Impulse-Withstand Voltage – (BIL)	162kV BIL [®]

Continuous Current Ratings	
Aluminum	600A
Copper	900A

Short-Time Current Ratings	
Aluminum	40kA, 10c. and 10kA, 3s. [®]
Copper	40kA, 10c. and 10kA, 3s.

The 15/25/28kV Deadbreak Elbow is qualified to the following industry standards:

- IEEE Std 386: For Separable Insulated Connector Systems
- ANSI C119.4: For Electric Connectors
- IEEE Std 592: For Exposed Semiconducting Shields

[®] Exceeds IEEE 386 requirement